

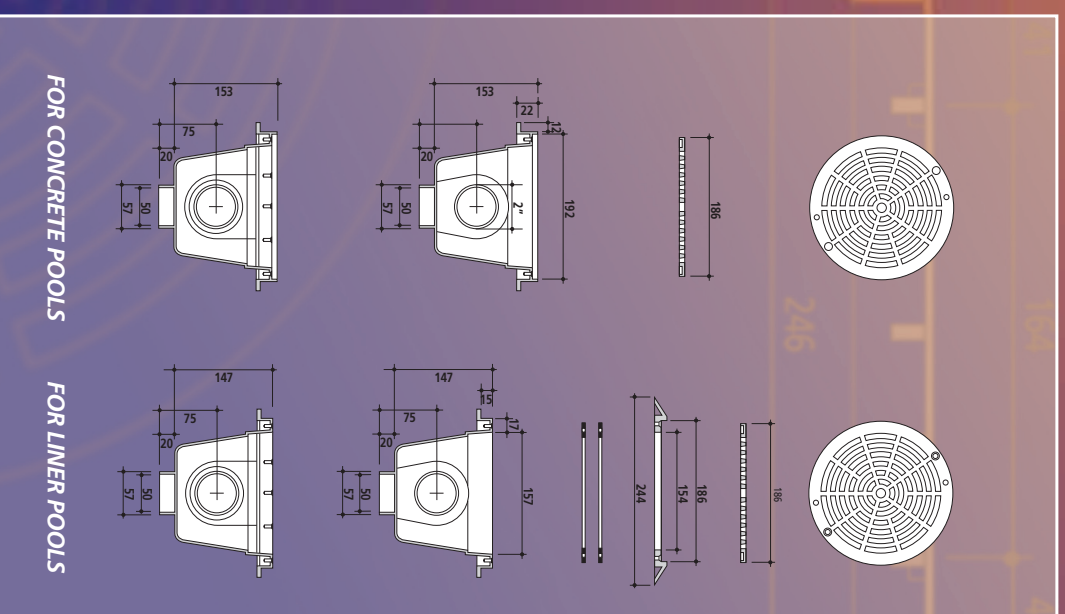
Circular Main Drains



Wide range adaptable to all applications, with white ABS plastic or stainless steel grille. All models are available for both concrete and liner pools.

- Made of white ABS plastic. Grille fixed with stainless steel screws, Ø 50mm female slip blind connection at the bottom for hydrostatic valve connection. Liner model complete with flange, stainless steel screws and gaskets.
- Made of white ABS plastic. Grille fixed with stainless steel screws, Ø 50mm female slip blind connection at the bottom for hydrostatic valve connection. Liner model complete with flange, stainless steel screws and gaskets.

Squared Main Drains



Circular Main Drain for Concrete Pools

	Code
1 1/2" female thread	04141 T1
2" female thread	04141 T2
Ø 50 mm slip connection	04141 S1
Ø 63 mm slip connection	04141 S2
Ø 75 mm slip connection	04142 S3

Circular Main Drain for Concrete Pools with Stainless Steel Grille

1 1/2" female thread	04141T1SS
2" female thread	04141T2SS

Circular Main Drain for Liner Pools

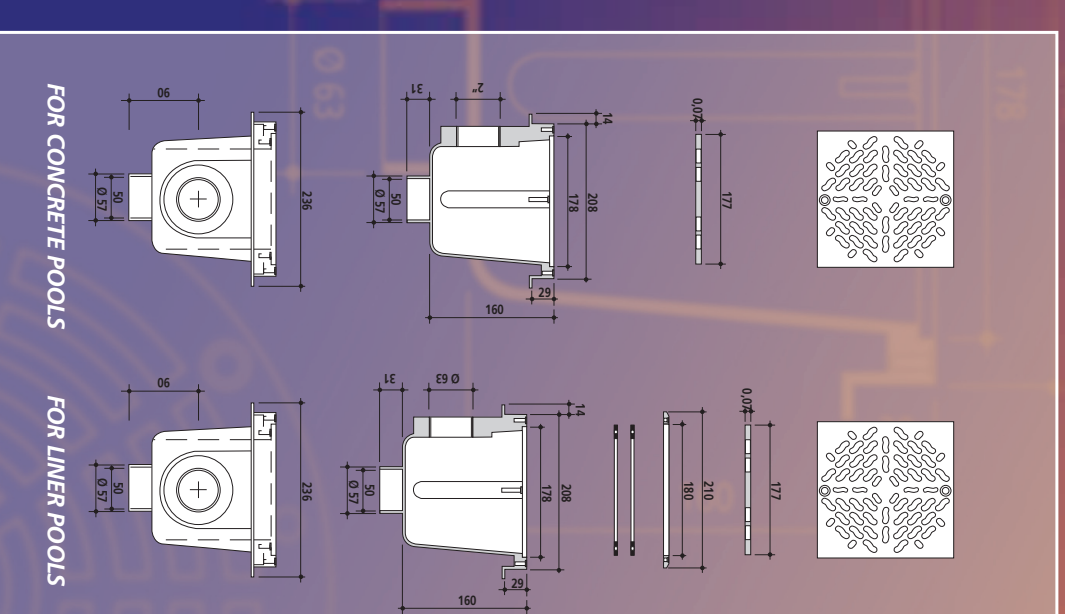
	Code
1 1/2" female thread	04241 T1
2" female thread	04241 T2

Squared Main Drain for Concrete Pools

	Code
2" female thread	04142 T1
Ø 63 mm slip connection	04142 S1
Ø 75 mm slip connection	04142 S2
Ø 90 mm slip connection	04142 S3

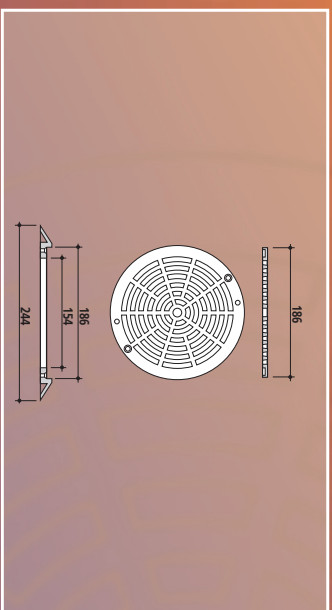
Squared Main Drain for Liner Pools

	Code
2" female thread	04242 T1
Ø 63 mm slip connection	04242 A1
Ø 75 mm slip connection	04242 A2
Ø 90 mm slip connection	04242 A3



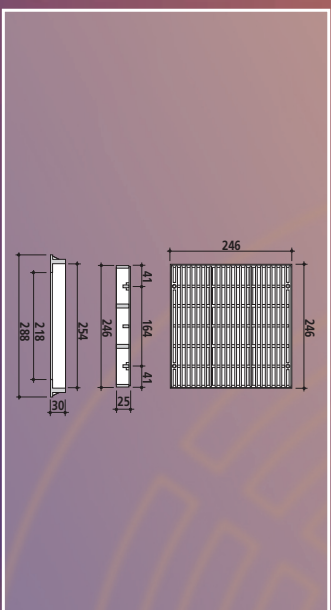
Grilles For Main Drain

Circular Grille



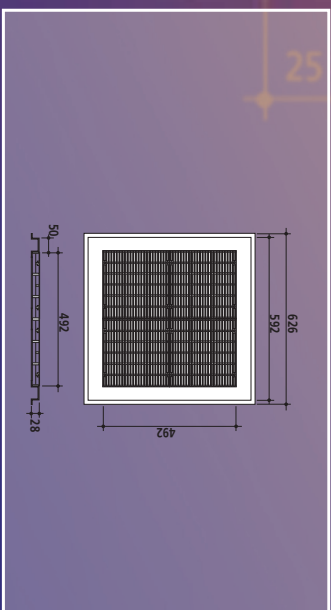
Code : 04143 C

Squared Grille



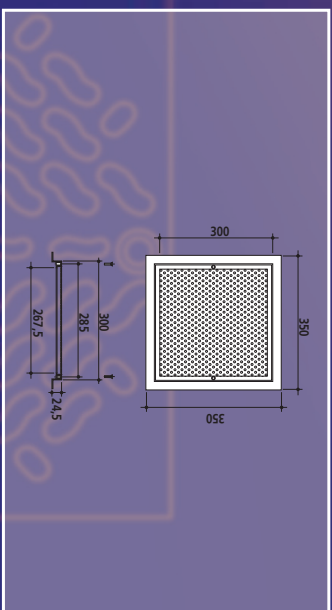
Code : 04143 R1

Squared Grille



Code : 04143 R2

Stainless Steel Squared Grilles



Code :

200x200 mm Ext.-Up to Ø 75 mmØ4143 R5S1
300x300 mm Ext.-Up to Ø 90 mmØ4143 R5S2
400x400 mm Ext.-Up to Ø 140 mmØ4143 R5S3
500x500 mm Ext.-Up to Ø 200 mmØ4143 R5S4

DISTRIBUTOR:

Main Drains

