

mini Streamer®

Self - Priming Centrifugal Pump for Pools



Quality Management System

" MINI STREAMER " SELF-PRIMING CENTRIFUGAL PUMP FOR POOLS



The Mini Streamer Pumps are precision, injection - moulded units, using a temperature and corrosion resistant fiber glass low dense plastic. The difference between STREAMER and other pumps lies in their uncomparable performance.

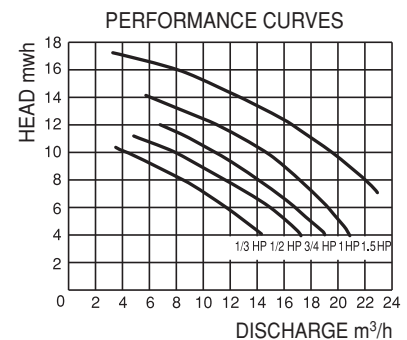
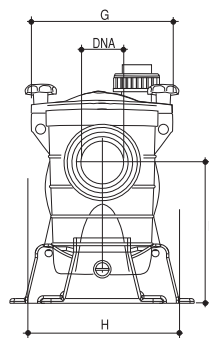
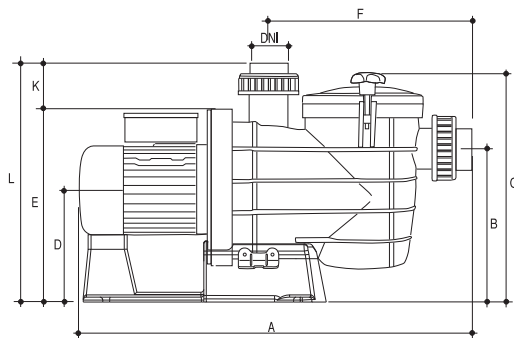
- Equipped with an IP-55 totally enclosed motor, designed for continuous running. Particularly silent and resistant to moisture. Elevated support with antivibration pad facilitates extra protection against flood and vibration.
- The excellent design of the rotating elements and pump chamber ensures maximum water flow without turbulence which is the reason of exceptionally good performance curves.
- Rustproof ceramic and high duty carbon mechanical seal has a heat sink which allows cooler running, longer life and loss wear.
- Motor and pump are separated in such a way that any contact between the electrical components and pumped water is virtually impossible.
- Unions at both inlet and outlet facilitates easy removal of the pump from the system for service purposes.
- Brand new aesthetic pump leg.

Characteristics

Monoblock pump body, in 30% fiberglass polypropylene for protection against corrosive water. Housed inside is a PREFILTERING BASKET that has a large filtering surface. High quality stainless steel shaft and mechanical seal. Noryl ultrasound soldered impeller.

Motor

IP 55 protected. 230 V or 230 / 400 V - 50 Hz. 2850 rpm.



| TYPE | HP | CONDAN-SATOR (µF) | AMPERES | | | HEAD mwh | | | | | | | | | | |
|--------------|------|-------------------|----------|-----------|-----------|----------|-------|-------|-------|-------|-------|-------|-------|----|---|---|
| | | | II 230 V | III 230 V | III 400 V | 4 | 6 | 8 | 10 | 11 | 12 | 14 | 16 | 17 | | |
| STRM-0,33M | 0,33 | 16 | 2,73 | - | - | 14,10 | 11,60 | 8,30 | 4,00 | - | - | - | - | - | - | - |
| STRM-0,50M | 0,50 | 20 | 3,88 | 2,33 | 1,35 | 17,20 | 14,90 | 11,40 | 7,90 | 4,80 | - | - | - | - | - | - |
| STRM-0,80T/M | 0,75 | 25 | 5,15 | 3,03 | 1,75 | 18,90 | 16,70 | 13,50 | 10,80 | 9,00 | 6,80 | - | - | - | - | - |
| STRM-1,00T/M | 1,00 | 30 | 7,02 | 4,42 | 2,55 | 20,80 | 19,30 | 17,10 | 14,90 | 13,20 | 10,50 | 6,00 | - | - | - | - |
| STRM-1,50T/M | 1,50 | 30 | 7,65 | 4,60 | 2,80 | 26,00 | 24,80 | 22,00 | 19,50 | 18,00 | 16,50 | 12,50 | 15,00 | - | - | - |

| TYPE | DIMENSIONS (mm) | | | | | | | | | | | | Net Weight (Kg) | | Packing W. (Kg) | |
|--------------|-----------------|--------|-----|----|-----|-----|-----|-----|-----|-----|-----|-----|-----------------|--------|-----------------|--------|
| | DNA | DNI | A | K | B | C | D | E | F | G | H | L | Mo. | Tri. | Mo. | Tri. |
| STRM-0,33M | 1 1/2" | 1 1/2" | 500 | 70 | 175 | 280 | 125 | 230 | 255 | 205 | 175 | 300 | 8,750 | - | 7,750 | - |
| STRM-0,50M | 1 1/2" | 1 1/2" | 500 | 70 | 175 | 280 | 125 | 230 | 255 | 205 | 175 | 300 | 9,150 | - | 8,150 | - |
| STRM-0,80T/M | 1 1/2" | 1 1/2" | 500 | 70 | 175 | 280 | 125 | 230 | 255 | 205 | 175 | 300 | 11,050 | 11,350 | 10,050 | 10,350 |
| STRM-1,00T/M | 1 1/2" | 1 1/2" | 500 | 70 | 175 | 280 | 125 | 230 | 255 | 205 | 175 | 300 | 12,050 | 11,450 | 11,050 | 10,450 |
| STRM-1,50T/M | 1 1/2" | 1 1/2" | 500 | 70 | 175 | 280 | 125 | 230 | 255 | 205 | 175 | 300 | 12,150 | 11,550 | 11,150 | 10,550 |

| TYPE | PACKING DIM. (mm) |
|-----------------------|-------------------|
| STRM-33/50/80/100/150 | 540 x 210 x 370 |



We reserve the right to change all or part of the features of the articles or contents of this document, without prior notice.

DISTRIBUTOR: