



"Pool Technology"

Puritron ON-LINE

HAT ÜSTÜ TUZ KLOR JENERATÖRÜ
ONLINE SALT CHLORINATOR



"Pool Technology"

GEMAS Genel Mühendislik Mekanik San.ve Tic.A.Ş.

İTOB Organize Sanayi Bölgesi 10001 Sok.No:28 Menderes/İZMİR TURKEY

Tel:0232 799 0 333 Fax:0232 799 0 330 www.gemas.com.tr info@gemas.com.tr

Preliminary information

"Thank you for your trust and support for Gemas branded products."

GEMAS Salt - Water Chlorinator; It has been designed and produced to perform salt electrolysis in small and medium-sized home pools.



The instructions for use must be read carefully before assembly, and the assembly must be done by experienced technicians. Assembled in violation of the assembly instructions; Damages and malfunctions that may occur in products with electrical and water connections are not covered by the warranty.

GEMAS Salt - Water Chlorinator is a device designed and manufactured for salt electrolysis only in small and medium-sized pools. Using the device you purchased for other purposes ; it can be dangerous both for the device and for the place and people using it.



Connect the ground connection to a proper grounding line. Take electrical power from a line with leakage current protection.



ATTENTION! Serious injuries or even death can result from electric shock. Therefore, seek help from experienced technicians.



In terms of life safety and product; It must be installed in places where children cannot reach.



Installation and commissioning must be carried out by an authorized service or qualified electrician and plumber. Otherwise, the manufacturer and the seller company cannot be held responsible for the problems that may arise due to incorrect installation and commissioning. No repair, maintenance, and replacement parts can be requested under the warranty.

Documentation Updates

GEMAS Genel Mühendislik Mekanik San.ve Tic.A.Ş. always reserves the right to make improvements to the products described in these documents at any time without prior notice. GEMAS Genel Mühendislik Mekanik San.ve Tic.A.Ş. also reserves the right to make such a revision of the content in the document at any time and without obligation to notify any person or organization.

Salt Electrolysis and Advantages

Salt electrolysis; It is the name given to the water purification method that allows the salt in the water to be treated to be converted to free chlorine, which is a strong oxidation agent, by electrolytic treatment. With this technique; There is no need to use a significant part of the chemicals that keep the water clean and hygienic, and the risks of accidents and control that may arise from this use are eliminated. In damp and hot machine rooms; The risk of fatal accidents that may arise from the mixing of chlorine and acids that emit heavy gases are eliminated with this system.

Short storage period of purchased hypo solutions in summer conditions, loss of concentration due to heat; significantly increases the attractiveness of the system.

Also besides the chlorine in the process, an extremely bright and clear water quality can be achieved with the high oxidation effect of the produced oxygen radicals. The system works synchronously with the filtration system of the pool and makes the disinfection continuous. The ease of application of the system is as high as the superior water quality and hygiene it provides.

The sparkling and hygienic pool water obtained by the process, the ease of use provided, great savings and safety in chemical usage costs are the main features that make the system indispensable.

1.PRODUCT FEATURES

- It produces chlorine in the salt concentration in the same proportion as the tear salinity.
- It has an automatic electrode cleaning feature against calcification.
- It has a long-lasting titanium electrode.
- It has an electrode life of 16,000 hours.
- It offers the opportunity to adjust to the optimum level by increasing or decreasing the pole change time for cleaning the electrodes.
- The instant chlorine need of the pool is provided,thanks to Boost operating mode in the device.
- It has pool cover closing control input.
- It can be easily applied to the existing pool.
- The minimum recommended salinity is 4000ppm (4kg / m3).
- The device can also be used in seawater with 35000 ppm.
-

1.1.Technical Specifications

		GSCol10 0642500L	GSCol20 0642600L	GSCol30 0642700L
Chlorine Production		10g / h	20g /h	30g /h
Supply Voltage		220V AC	220V AC	220V AC
Electrode Current		Max. 2A	Max. 4A	Max. 6A
Electrode Voltage		Max. 24V	Max. 24V	Max. 24V
Power consumption		50W	100W	150W
Max. Pool Dimensions	Temperate	50m ³	100m ³	170m ³
	Tropical	35m ³	65m ³	110m ³
Maximum Flow		450 l/ min	450 l/ min	450 l/min
Maximum Pressure		320 Kpa	320 Kpa	320 Kpa
Pressure drop		5 Kpa	5 Kpa	5 Kpa
Cell Type		Bipolar	Bipolar	Bipolar
Recommended Salt Concentration		4-35gr/l ppm	4-35gr/l ppm	4-35gr/l ppm
Cell Material		PMMA	PMMA	PMMA
Electrode Material		Titanium	Titanium	Titanium
Box sizes		50X30X17 cm	50X30X17 cm	50X30X17 cm
Box Weight		4.5 Kg	4.5 Kg	4.5 Kg

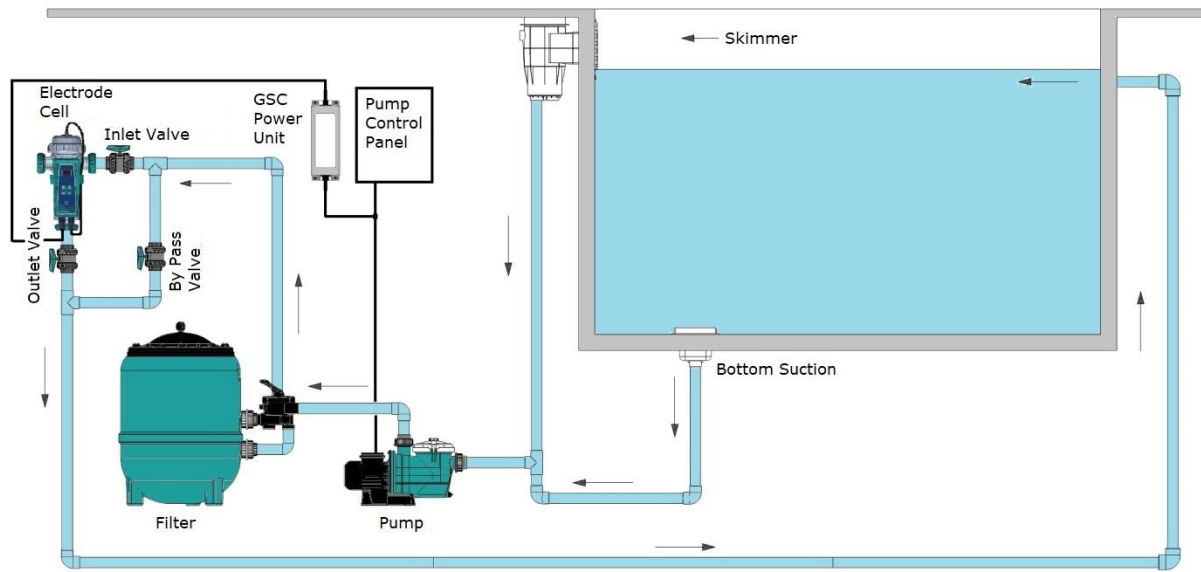
2.ASSEMBLY - INSTALLATION



Assembly and installation must be carried out by an authorized service or qualified electrician and plumber. Otherwise, the manufacturer and the seller company cannot be held responsible for the problems that may arise due to incorrect installation and commissioning. No repair, maintenance, or replacement parts can be requested under the warranty.

For the smooth operation of the device and the safety of life and property, make sure that the following conditions are met by taking the safety precautions regarding electricity and water before starting the installation.

Installation Scheme



Information about Electricity



Electrical and mechanical measures have been taken to protect the safety of life and property in the Salt - Water Chlorinator. For the electrical precautions to function, the leakage relay and grounding warnings must be taken into consideration.

Leakage Current Relay: Use a leakage current relay with CE certified and make sure that it is working. Make sure the relay you will use controls the chlorinator. Test the Leakage Current Relay strictly every year.



The manufacturer/seller company cannot be held responsible for any problems that may arise due to the failure of the Leakage Current Relay being installed, its subsequent malfunction, cancellation, connection of the ground wire, and poor grounding.

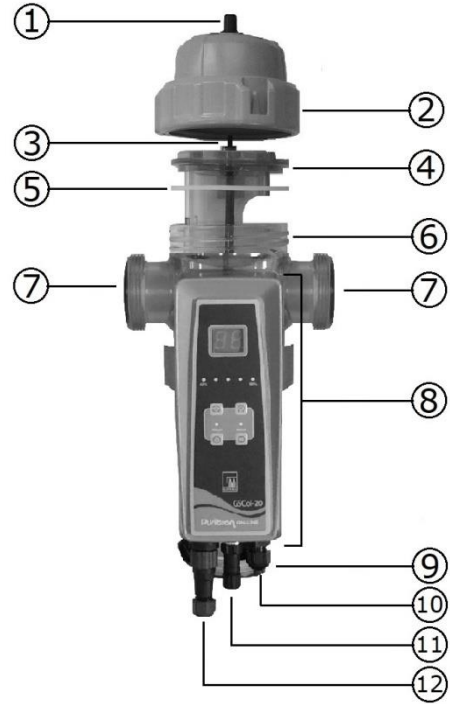
Supply Cable: Device supply cable must be at least 3x1.5 mm.

Grounding: Make sure grounding in your facility is well done. Always connect the grounding line of the installation to the device. If necessary, test the ground line. You should see the voltage value between phase and neutral as well as between phase / ground. The voltage value between neutral and ground must be maximum 2 VAC.

L-N: 220V AC L-PE: 220V AC N-PE: Maximum 2V AC

2.1. Electrode Cell and Control Unit Assembly

1. Electrode Cable Choke Seal
2. Sleeve Electrode Head
3. Cable Connection Terminals
4. Electrode
5. Silicone Gasket Between Electrode and Reservoir
6. Electrode Chamber
7. Water Inlet Connections Section
8. Control Unit
9. Water Outlet Connection Section
10. Electrode Cable Output Connection
11. Pool Cover Closing Control Connection Socket (Dry Contact Switch)
12. Power Supply Connection Socket



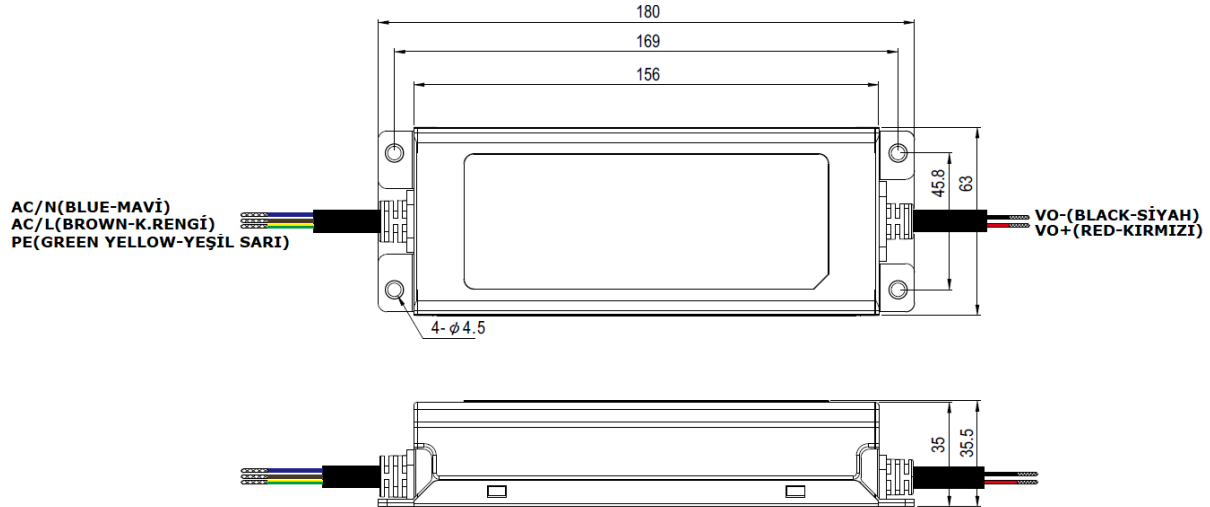
- The device must be in a place with airflow, protected from rain, and without any water leakage hazard.
- If there are acid tanks in the area where the device is located, there must be airflow in the environment. Otherwise, electronic components may corrode with the effect of acid.
- The device must be installed so that it is after the last element (filter, heater, etc.) through which water enters the direction of return to the pool.



If an automatic pH regulator is installed in the system, the injection of the acid must be after the electrode cell. Otherwise, the electrodes interact with acid and corrode. The manufacturer and the seller cannot be held responsible for any damages and problems caused by this reason. No repair, maintenance, or replacement parts can be requested under the warranty.

- Hard PVC adhesive must be used for pipe mounting to the electrode chamber and must be allowed to dry completely before installing the electrode.
- Electrode; it must be seated in the correct direction. The open part of the electrode must be inserted with the water inlet pipe connection. Make sure the silicone gasket is in place and sealed tightly.
- Connect the electrode cable through the cable choke seal and the threaded electrode head to the cable connection terminals. Close the threaded electrode head.
- It is recommended to install the three-valve bypass circuit as much as possible. In this way, it allows the amount of water passing through the cell to be adjusted and the pool to work while it is removed from the electrode chamber. The bypass circuit in the pump, which operates at a certain power, prevents the electrodes from being damaged by vibration by decreasing the transition speed.
- The electrode cell can be used in a vertical and horizontal position, but it is recommended to use it as vertical as the environment allows. The vertical position allows the emptying of the chamber without pouring water. Besides, enough space is provided to remove the electrode head and electrode.
- If the cell is installed at a height below the filter outlet, gases produced by electrolysis can accumulate in the chamber, which can damage the filtration elements. As seen in this picture, it can be prevented by making a plumbing.

2.2. Power Unit Installation



- The power unit must be considered at a maximum distance of 1.5 m from the device.
- Mark the hole locations on the wall that you will install for mounting.
- Secure the power unit with the help of dowels and screws.
- Connect the ground wire (yellow and green) of the 220V AC power unit cable to the grounding line on the panel. Connect the phase (brown) and neutral (blue) wires to the outputs of the pump contactor.



Salt - Water Chlorinator must be used parallel to the pump and while the water is circulating in the cell. The device must not be operated without water flow in the cell.

2.3. Pool Water

It is recommended to use mains water for the pool. If you are supplying water from other sources, please analyze the water and make sure that there are no high concentrations of metals and calcium which are not suitable for the operation of the system. Also check the compliance of water with human health standards.

Before operating the Salt - Water Chlorinator, adjust the pool water values and discard 1 kg of chlorine stabilizer for 25 m³ of water (20-30 ppm or as specified by the stabilizer manufacturer).



Stabilizer prevents chlorine from disappearing due to UV rays. Stabilizer deficiency forces more chlorine production, which shortens the life of the cell. On the other hand, high stabilizer also affects chlorine in a way to reduce its disinfection properties.

The water of the pool must meet the following values.

Salt		5 – 6 Kg/m ³
pH	Concrete Pool	7.2 – 7.6
	Polyester	6.8 – 7.0
TAC		60 – 100 ppm
TH		15 – 20 French
Stabilizer		20 – 30 ppm (or manufacturer's recommendation)
Temperature		>10°C

2.4. Adding Salt

- During the salt addition process, the system must be closed completely until all the salt is dissolved. If the system is operated before the salt is completely dissolved, the cell may get irreversible damage. For this reason, damage will result in the product being out of warranty.
- Calculate the water volume of the pool, salt must be thrown so that there is a salt concentration of 5-6 kg per cubic meter. During this process, make sure that the Salt - Water Chlorinator is not connected and do not operate the filtration system for 24 hours.
- In a newly coated pool, wait for 4 weeks after coating without adding salt.
- The dissolution rate of salt can be accelerated by using pool cleaner. Make sure the salt concentration is 5-6 kg / m³ as detailed.
- The salt chlorine generator does not consume salt, but its concentration may decrease due to rain and water supplements.



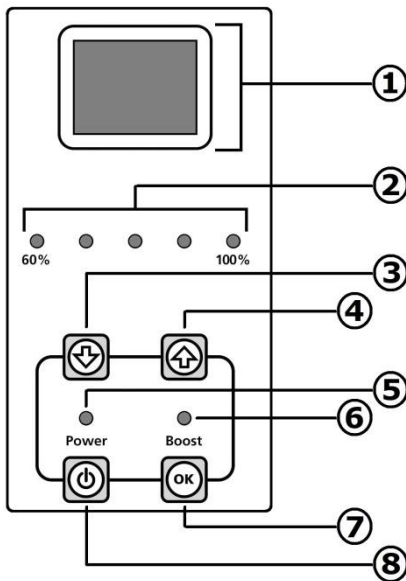
In cases where you need to add salt, pour the salt as close to the return line as possible. Never pour into skimmers or suction strainers.

3.COMMISSIONING – USE

Check the electrical and plumbing again. Be sure to follow the assembly instructions written above correctly. If there is no deficiency or error, you can start the commissioning process.

- Open the water inlet and water outlet valves, turn off the bypass valve. Make sure there are no water leaks in the valves and the chamber.
- Make sure that phase, neutral, and ground wires are properly connected. Remember, the device will work with the pump and shut down with the pump. Open the residual current relay/fuse. Check the supply terminals with the control pen or gauge.
- The control display on the front of the device will be powered. There will be a closed mode display on the control display.
- The Chlorinator will work at the factory settings. If you want to change these settings, you can make the necessary changes with the help of the user guide.

3.1.Control Unit and Settings



- 1.2x7 Segment Display; information and warnings about the device are displayed.
- 2.LED Bar; Specifies the production percentage of cl and parameter pages in the setting menu.
- 3.Cl performs the functions of decreasing the production percentage, switching to a sub-parameter in the setting menu, and decreasing the parameter values.
- 4.Cl performs the functions of increasing the production percentage, switching to a higher parameter in the setting menu, and increasing the parameter values.
- 5.Device on / off (on / off) mode indicator LED
- 6.Device Boost mode operating indicator LED
- 7.It performs the functions of making selection in parameters in the setting menu, confirming and saving the adjusted parameters.The device switches to the boost mode and runs at full capacity for 8 hours by holding it down for 3 sec. during the operation.
- 8.The device performs the functions of ON / OFF (switching on / off), entering the setting menu (the device is turned off, pressed for 3 seconds when it is OFF), and output parameters from the setting menu.

3.1.1. Control Unit Working Display Expressions

3.1.1.a. Switching the Device to On (ON) - Off (OFF) Mode

When the GSC Online Salt - Water Chlorinator is powered and started, the device will be in On (ON) or Off (OFF) mode according to the last mode it was in. So the mode of the device is known from the POWER LED status. In the ON mode, the POWER LED lights up, while in the OFF mode, the POWER LED is off.

3.1.1.b. Switching the Device to Chlorine Production

The device is turned on with the on / off button. The instantaneous water temperature will be seen on the display of the device, the LEDs in the CL production percentage LED bar and the LEDs in the electrode cell will light up. Depending on the polarity, the electrode cell will be illuminated with blue or green LEDs. In case of failure or error, the electrode cell is illuminated in red. When the device is turned on and starts to work without any problems, the instant water temperature will appear on the display and the electrode chamber will be in blue or green color. In the meantime, CL production percentage can be increased or decreased by pressing the direction buttons. Also, if the OK button is pressed once, the current drawn by the electrodes is shown and then automatically returns to the water temperature display.

3.1.1.c. Switching the Device to Boost Mode

The chlorine need of the pool is provided quickly, thanks to the Boost Mode on the device. With Boost Mode device runs at full capacity for 8 hours and then returns to the production capacity set in the normal operation. When the device is in ON mode, the device is switched to Boost mode by holding down the OK button for 3 seconds.



While the device is working in Boost mode ; changing the production capacity with the directional buttons takes the device out of Boost mode.

3.1.1.d. Operating the Device with the Pool Cover

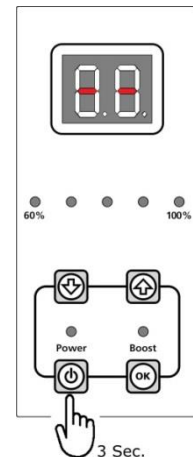
Thanks to the pool cover closing control on the device; it allows adjustment of chlorine production rate when the cover is closed. A dry contact switch is connected to the pool cover closing control connection socket. When the pool cover is closed, the signal from switch brings the device to the cover mode and CO symbol appears at intervals on display. When device operates in the "covered" mode, the desired production value is increased and decreased with the direction buttons.

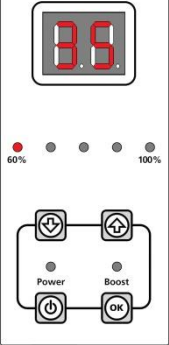
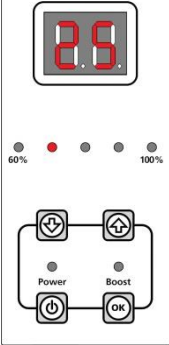
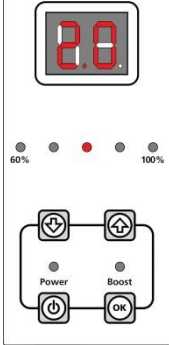
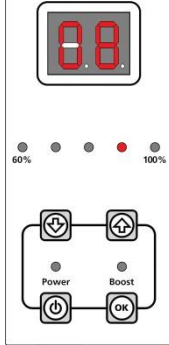
3.2. Setting Menu

The setting menu is an interface with the set parameters of the device. It allows the device to operate at an optimum level with the changes and adjustments made. The device is switched off to enter the setup menu. In the closed position, an image like the one will appear on the display. The **MENU** button is kept pressed for 3 seconds while the device is in the OFF position. The device will automatically switch to the setting menu.

In the settings menu, respectively;

- Instant electronic card temperature
- Instant water temperature
- Version number
- There is a polarity change time.



			
<p>Instant electronic card temperature is displayed. The 60% indicator LED indicates this parameter. Switch between parameters is provided with directional buttons.</p>	<p>Instant water temperature is shown. 70% indicator LED indicates this parameter. Switch between parameters is provided with directional buttons.</p>	<p>The device version number is shown. The 80% indicator LED indicates this parameter. Switch between parameters is provided with directional buttons.</p>	<p>Polarity change time is shown. 90% LED refers to this parameter. Switch between parameters is provided with directional buttons. By pressing the OK button once, the parameter can be entered and adjusted.</p>

3.2.1. Setting the Polarity Period

Although the physical properties of the water used vary depending on geographical regions, it inevitably contains certain amounts of calcium, magnesium, iron, and other minerals. While the water is cold, these suspended minerals dissociate from the water during electrolysis, some of them stick to the electrodes in the chamber. After a certain period, the electrodes are completely covered with the substance called lime. Since the lime layer is insulating, it complicates the flow of electricity between the electrodes. As a result, chlorine production efficiency decreases. This lime formed in the electrodes must be cleaned periodically.

This cleaning process; It has the feature to do it automatically by changing the polarization. When the parameter showing the polarity change time is on the screen (90% indicator LED is on.) By pressing **the OK** button once, it is entered into the parameter, and to exit the parameter, the **MENU** button must be pressed once. When entering the parameter, the value on the screen starts to flash. Meanwhile, the parameter value is changed with the direction buttons. When the desired value is given, it is selected and saved with the **OK** button.

4. CLEANING - MAINTENANCE INSTRUCTIONS

4.1. Electrode Cleaning

Although the physical properties of the water used vary depending on geographical regions, it inevitably contains certain amounts of calcium, magnesium, iron, and other minerals. While the water is cold, these suspended minerals decompose from water during electrolysis, some of them stick to the electrodes in the chamber. After a certain period, the electrodes are completely covered with the substance called lime. Since the lime layer is insulating, they complicate the flow of electricity between the electrodes. As a result, chlorine production efficiency decreases. This lime formed in the electrodes must be cleaned periodically.

This cleaning process; It has the feature to do it automatically by changing the polarization. However, in cases where the calcium concentration is too high, this feature may not completely remove the limescale. Regularly check the lime sediment in the cell and, if necessary, clean the cell manually.

1. Turn off the pump and Salt - Water Chlorinator.
2. Close the water inlet and water outlet valves of the electrode cell.
3. Open the threaded electrode head, properly disconnect the electrode cable from the terminal and remove the electrode from the chamber.
4. Ideally, if the electrode is expected to dry for a day, the lime residue releases itself. During the process, be careful not to damage the sensitive cover of the electrode and take care. During this process, never hit with metal material that can scratch the electrode. Pressurized water can be used to dissolve limescale.
5. If the pressurized water could not remove the limescale, you can immerse the electrode in a 20% hydrochloric acid solution. The terminals at the top of the electrode must not touch the solution.
6. Immediately after cleaning, the electrode must be rinsed with clean water, the place of the terminals must be carefully dried and reassembled.

Never leave the electrode in acid for more than 5 minutes! Do not scratch the electrode with metal objects! For safety reasons, dilute acid with water!

4.2. Advices

The bipolar cells of the GSC Salt - Water Chlorinator are manufactured using a special technique, providing an extraordinary period and resistance below the high-quality standards. However, some factors prevent you from getting the full and longest performance from the electrode. These:

- Run with lime residue on the surface of the electrode
- Excessive chlorine concentration (over 3.00 ppm chlorine is corrosive.)
- Working with high or low pH
- Working with salt-free or high concentration salt
- Operating in water below 10 ° C
- Adding salt while the chlorinator is running
- Injecting pH regulator without placing skimmer or bottom strainer

It is recommended to periodically check the cell terminals and lubricate against sulfurization. Situations where you need to turn off the equipment:

- Working without water
- While cleaning the filter
- When emptying the pool
- When the water freezes
- While cleaning the cell

4.3 - Error Codes and Suggested Solutions

Error Code	Possible Failure	Solution Way
E1	Cable is broken or not touching	Check cable and connection terminals, replace if necessary.
	Electrode wiring problem	Check electrode cable connection terminals.
	Heavy lime	Clean the lime from the cell and reduce the polarity period.
E2	There is lime on the electrode	Clean the lime from the cell and reduce the polarity period.
	The water is too hard	Soften the water.
E3	Device output has a short circuit	Check device electrode cable, electrode connection terminals, and replace it if necessary.
E4	Electronic card failure	Contact the manufacturer
E5	Water Level warning	Check the water level in the electrode chamber
E6	Electronic card high-temperature warning	Contact the manufacturer.
E7	High water temperature warning	Contact the manufacturer.
Lo	Low salt level warning	Salt must be added to the pool.

5.WARRANTY – AFTER SALES SERVICE - SPARE PARTS

1. The electronic cell and rectifier are under a two-year warranty.
2. The products are taken out of the scope of warranty in line with the items below.
 - a. Malfunctions caused by using the product contrary to the operating instructions.
 - b. Malfunctions due to incorrect electrical connections.
 - c. Faults caused by crash and similar accidents.
 - d. Malfunctions that will arise from water in its rectifier.
 - e. Faults resulting from operation without a bypass circuit (according to the wiring diagram).
 - f. Malfunctions caused by acid spillage into the skimmer without turning off the rectifier.
 - g. Malfunctions caused by insufficient air circulation in the engine room where the acid tank used for disinfection is located.
 - h. Puritron; It must not be in the same environment with cleaning equipment, including pumps, filters, and multi-way valves.



Ön Bilgi

"Gemaş markalı ürünlere gösterdiğiniz güven ve desteğiniz için teşekkürler. "

GEMAŞ Tuz Klor Jeneratörü ; küçük ve orta ölçekli ev havuzlarında tuz elektrolizi işlemini gerçekleştirmek amacıyla tasarlanmış ve üretilmiştir.



Kullanma talimatı montaj yapılmadan önce dikkatli bir şekilde okunmalı ve montaj işlemi yetkili servis veya tecrübeli teknisyenler tarafından yapılmalıdır. Montaj talimatına aykırı şekilde montajlanan; elektrik ve su bağlantıları yapılan ürünlerde oluşabilecek hasar ve arızalar garanti kapsamı dışındadır.

GEMAŞ Tuz Klor Jeneratörü sadece küçük ve orta ölçekli havuzlarda tuz elektrolizi işlemi için tasarlanmış ve üretilmiş bir cihazdır. Satın aldığınız cihazı başka amaçlar için kullanmak; gerek cihaz için, gerekse kullanılan mahal ve kullanan kişiler için tehlike arz edebilir.



Topraklama bağlantısını düzgün bir topraklama hattına bağlayarak gerçekleştiriniz. Elektrik enerjisini kaçak akım koruması bulunan bir hattan alınız.



DİKKAT! Elektrik çarpması sonucu ciddi yaralanmalar hatta ölümler meydana gelebilir. Bu yüzden tecrübeli teknisyenlerden yardım isteyiniz.



Can güvenliği ve ürün açısından; Montajı çocukların ulaşamayacağı yerlere yapılmalıdır.



Montaj ve devreye alma işlemleri kesinlikle yetkili servis veya tecrübeli teknisyenler tarafından gerçekleştirilmelidir. Aksi halde hatalı montaj ve devreye almadan kaynaklanabilecek sorunlardan üretici ve satıcı firma sorumlu tutulamaz. Garanti kapsamında tamir, bakım ve parça değişimi talep edilemez.

Dokümantasyon Güncellemeleri

GEMAŞ Genel Mühendislik Mekanik San.ve Tic.A.Ş. herhangi bir zamanda, önceden haber vermeksizin, bu belgelerde açıklanan ürünlerde iyileştirme yapma hakkını her zaman saklı tutar. Ayrıca GEMAŞ Genel Mühendislik Mekanik San.ve Tic.A.Ş. herhangi bir zamanda ve herhangi bir kişi veya kuruluşa bildirimde bulunma yükümlülüğü olmaksızın, belgedeki içerikte böyle bir revizyon yapma hakkını saklı tutar.

Tuz Elektrolizi ve Avantajları

Tuz elektrolizi; arıtılacak suyun içerisinde bulunan tuzun elektrolitik işlemle, kuvvetli bir oksidasyon ajanı olan serbest kloru dönüştürülmesini sağlayan su arıtma metoduna verilen isimdir. Bu teknikle; suların temiz ve hijyenik kalmasını sağlayan kimyasalların önemli bir kısmının kullanımına gerek kalmamakta, bu kullanımdan kaynaklanabilecek kaza ve kontrol riskleri de ortadan kalkmaktadır. Rutubetli ve sıcak makina dairelerinde; ağır gaz çıkartan klor ve asitlerin birbirine karıştırılmasından doğabilecek ölümcül kaza riskleri bu sistemle ortadan kalkmaktadır.

Satın alınan hipo çözeltilerinin yaz koşullarında depolama süresinin kısalığı, sıcaktan kaynaklı konsantrasyon kaybı; sistemin cazibesini önemli ölçüde arttırmaktadır.

Bunlara ek olarak, proseste klorun yanı sıra üretilen oksijen radikallerinin yüksek oksidasyon etkisi ile son derece ışıltılı ve berrak bir su kalitesi sağlanabilmektedir. Sistem; havuzun filtrasyon sistemi ile birlikte senkronize çalışmakta ve dezenfeksiyonu sürekli kılmaktadır. Sistemin uygulamada getirdiği kolaylık, en az sağladığı üstün su kalitesi ve hijyeni kadar yüksektir.

Prosesle elde edilen ışıltılı ve hijyenik havuz suyu, sağlanan kullanım kolaylığı, kimyasal kullanım masraflarında büyük tasarruf ve emniyet; sistemi vazgeçilmez kılan temel özellikleridir.

1.ÜRÜN ÖZELLİKLERİ

- Gözyaşındaki tuzluluk ile aynı oranda tuz konsantrasyonundaki suda klor üretir.
- Kireçlenmeye karşı otomatik elektrot temizleme özelliği bulunur.
- Uzun ömürlü titanyum elektroda sahiptir.
- 16.000 saat elektrot ömrü bulunur.
- Elektrotların temizlenmesi için kutup değişim süresi arttırılıp azaltılarak optimum seviyeye ayarlama imkanı sunar.
- Cihazda bulunan Boost çalışma modu sayesinde havuzun ani klor ihtiyacı karşılanır.
- Havuz örtüsü kapanma kontrol girişine sahiptir.
- Mevcut havuza kolaylıkla uygulanabilir.
- Önerilen minimum tuzluluk 4000ppm'dir (4kg/m3).
- Cihaz 35000ppm olan deniz suyunda da kullanılabilir özelliğe sahiptir.

1.1.Teknik Özellikler

		GSCol10 064250OL	GSCol20 064260OL	GSCol30 064270OL
Klor Üretimi		10gr/saat	20gr/saat	30gr/saat
Besleme Voltajı		220V AC	220V AC	220V AC
Elektrot Akımı		Max. 2A	Max. 4A	Max. 6A
Elektrot Voltajı		Max. 24V	Max. 24V	Max. 24V
Güç Tüketimi		50W	100W	150W
Max. Havuz Ölçüleri	Ilıman	50m ³	100m ³	170m ³
	Tropikal	35m ³	65m ³	110m ³
Maksimum Debi		450 l/dk	450 l/dk	450 l/dk
Maksimum Basınç		320 Kpa	320 Kpa	320 Kpa
Basınç Kaybı		5 Kpa	5 Kpa	5 Kpa
Hücre Tipi		Bipolar	Bipolar	Bipolar
Önerilen Tuz Derişimi		4-35gr/l ppm	4-35gr/l ppm	4-35gr/l ppm
Hücre Malzemesi		PMMA	PMMA	PMMA
Elektrot Malzemesi		Titanyum	Titanyum	Titanyum
Kutu Ölçüleri		50X30X17 cm	50X30X17 cm	50X30X17 cm
Kutu Ağırlığı		4.5 Kg	4.5 Kg	4.5 Kg

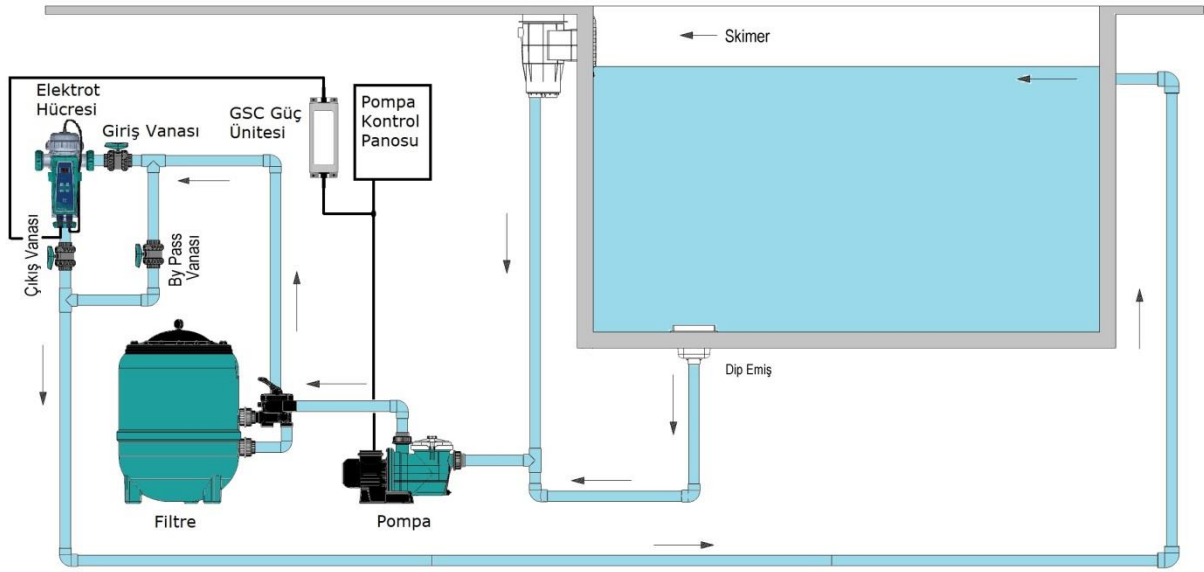
2.MONTAJ – KURULUM



Montaj ve kurulum işlemleri kesinlikle yetkili servis veya tecrübeli teknisyenler tarafından gerçekleştirilmelidir. Aksi halde hatalı montaj ve devreye almadan kaynaklanabilecek sorunlardan üretici ve satıcı firma sorumlu tutulamaz. Garanti kapsamında tamir, bakım ve parça değişimi talep edilemez.

Cihazın sorunsuz çalışabilmesi, can ve mal güvenliğinizi için montaja başlamadan önce elektrik ve su ile ilgili emniyet önlemlerini alarak aşağıdaki koşulların sağlandığından emin olun.

Tesisat Şeması



Elektrik ile İlgili Açıklama



Tuz Klor Jeneratöründe, can ve mal güvenliğini korumaya yönelik olarak elektriksel ve mekanik önlemler alınmıştır. Elektriksel önlemlerin işlevini yerine getirebilmesi için mutlaka kaçak akım rölesi ve topraklama ile ilgili uyarıların dikkate alınması gerekmektedir.

Kaçak Akım Rölesi: CE belgeli ve çalıştığından emin olduğunuz bir kaçak akım rölesi kullanın. Kullanacağınız rölenin jeneratörü kontrol ettiğinden emin olun. Kesinlikle her yıl Kaçak Akım Rölesini test edin.



Kaçak Akım Rölesinin takılmamasından, sonradan arızalanmasından, iptal edilmesinden, topraklama kablosunun bağlanmamasından, topraklamanın zayıf olmasından kaynaklanabilecek her türlü sorunlardan üretici/satıcı firma sorumlu tutulamaz.

Besleme Kablosu: Cihaz besleme kablosu en az 3x1,5mm olmalıdır.

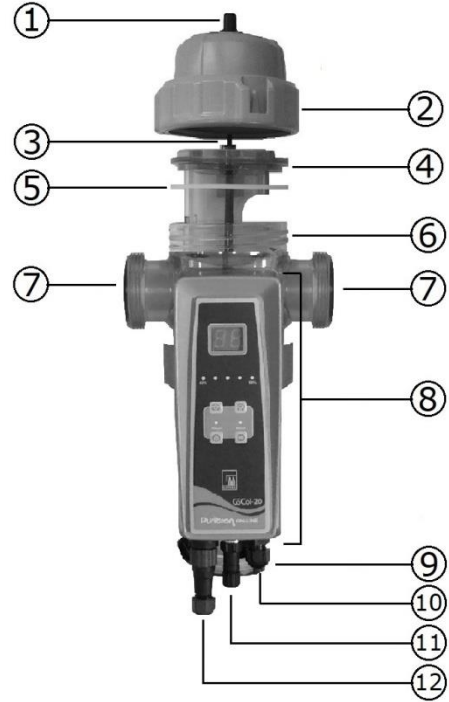
Topraklama: Tesisinizdeki topraklamanın iyi yapılmış olduğundan emin olun. Tesisatın topraklama hattını mutlaka cihaza bağlayın. Gerekirse topraklama hattını test edin. Faz ile nötr arasında gördüğünüz voltaj değerini faz/toprak arasında da görmeniz gerekmektedir. Nötr ve toprak arası voltaj değeri en çok 2 V AC olmalıdır.

L-N: 220V AC L-PE: 220V AC

N-PE: Maksimum 2V AC

2.1.Elektrot Hücresi ve Kontrol Ünitesi Montajı

- 1.Elektrot Kablo Boğma Contası
- 2.Rakorlu Elektrot Kafası
- 3.Kablo Bağlantı Terminalleri
- 4.Elektrot
- 5.Elektrot ve Hazne Arası Silikon Conta
- 6.Elektrot Haznesi
- 7.Su Giriş Bağlantıları Rakoru
- 8.Kontrol Ünitesi
- 9.Su Çıkış Bağlantı Rakoru
- 10.Elektrot Kablosu Çıkış Rakoru
- 11.Havuz Örtüsü Kapanma Kontrolü Bağlantı Soketi (N.O Anahtar)
- 12.Güç Ünitesi Bağlantı Soketi



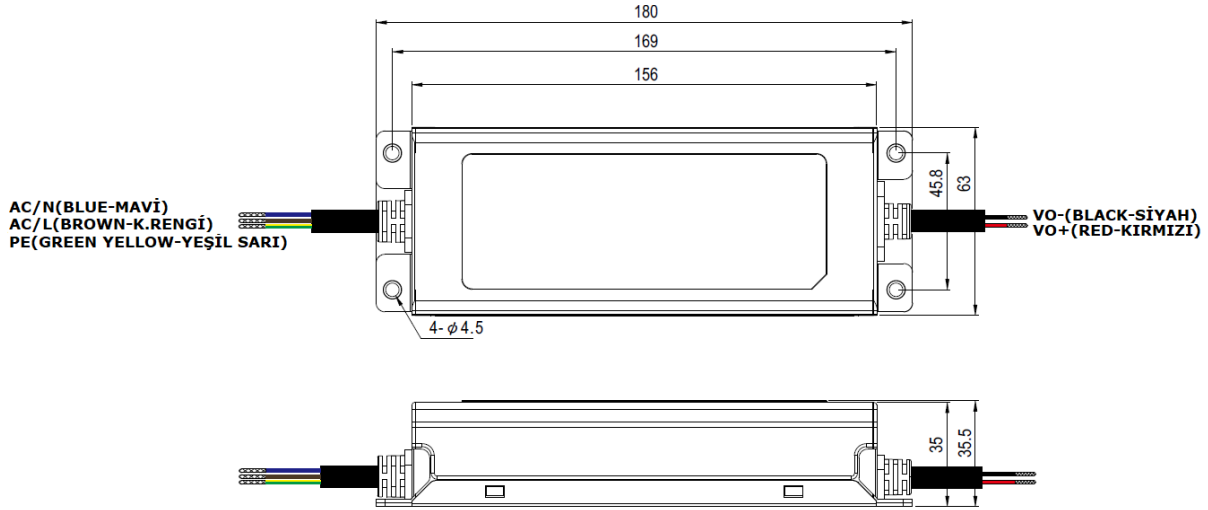
- Cihaz hava akışının olduğu, yağmurdan korunmalı ve herhangi bir su sızıntısı tehlikesi olmayan bir yerde olmalıdır.
- Cihazın bulunduğu bölgede asit tankları var ise ortamda hava akışı olması gerekmektedir. Aksi halde asit etkisi ile elektronik komponentler korozyona uğrayabilir.
- Cihaz, havuza dönüş yönünde suyun girdiği son birimden (filtre, ısıtıcı vb.) sonra konumlanacak şekilde kurulmalıdır.



Eğer sistemde otomatik pH düzenleyici kuruluysa asidin enjeksiyonu elektrot hücresinden sonra olmalıdır. Aksi takdirde elektrotlar asit ile etkileşime girerek korozyona uğrar. Bu sebeple oluşan zarar ve sorunlardan üretici ve satıcı firma sorumlu tutulamaz. Garanti kapsamında tamir, bakım ve parça değişimi talep edilemez.

- Elektrot haznesine boru montajında sert PVC yapıştırıcı kullanılmalı ve elektrotu takmadan önce tamamen kuruması beklenmelidir.
- Elektrot; haznenin içine doğru yönde oturtulmalıdır. Elektrodun açık kısmı su giriş borusu bağlantısına gelecek şekilde sokulmalıdır. Silikon contanın yerinde olduğundan ve sızdırmayacak şekilde yerleştiğinden emin olunmalıdır.
- Elektrot kablosunu kablo boğma contasından ve rakorlu elektrot kafasından geçirerek kablo bağlantı terminallerine bağlayın. Rakorlu elektrot kafasını kapatın.
- Üç vanalı bypass devresinin mümkün olduğunca kurulması tavsiye edilir. Bu sayede hücreden geçen suyun miktarının ayarlanmasını ve elektrot hazesinden çıkarılırken havuzun çalışmasını sağlar. Belli güçte çalışan pompada bypass devresi, geçiş hızını düşürerek elektrotların titreşimden dolayı zarar görmesini engeller.
- Elektrot hücresi dikey ve yatay pozisyonda kullanılabilir fakat ortamın elverdiği kadarıyla dikey kullanılması önerilir. Dikey pozisyon su dökülmeden haznenin boşaltılmasına olanak sağlar. Bunun yanında elektrot kafasını ve elektrodu çıkartmak için yeterli alan sağlanmış olur.
- Eğer hücre filtre çıkışının altında bir yükseklikte monte edilirse, haznede elektroliz sonucu oluşan gazlar birikebilir ve bu da filtrasyon elemanlarına zarar verebilir.

2.2.Güç Ünitesi Montajı



- Güç ünitesi cihaza en fazla 1,5m uzakta olacak şekilde düşünülmelidir.
- Montaj işlemi için monte edeceğiniz duvarda güç ünitesi üzerinden delik yerlerini işaretleyin.
- Güç ünitesini dübel ve vida yardımı ile sabitleyin.
- 220V AC güç ünitesi kablosunun topraklama kablosunu (sarı ve yeşil) panodaki topraklama hattına bağlayın. Faz (kahverengi) ve nötr (mavi) kablolarını pompa kontaktörünün çıkışlarına bağlayın.



Tuz klor jeneratörü pompaya paralel olarak ve su hücrede devir daim olurken kullanılmalıdır. Hücrede su akışı olmadan kesinlikle cihaz çalıştırılmamalıdır.

2.3.Havuz Suyu

Havuz için şebeke suyu kullanmanız tavsiye edilir. Eğer suyu başka kaynaklardan sağlıyorsanız, lütfen suyun analizini yaptırın ve sistemin çalışmasına uygun olmayan yüksek konsantrasyonda metal ve kalsiyum gibi etkenlerin bulunmadığından emin olun. Ayrıca suyun insan sağlığı standartlarına uyumunu da kontrol edin.

Tuz klor jeneratörünü çalıştırmadan önce havuz suyu değerlerini ayarlayın ve 25 m³ su için 1 kg klor stabilizör atın (20-30 ppm veya stabilizör üreticisinin belirttiği kadar)



Stabilizör klorun UV ışınlarından dolayı kaybolmasını engeller. Stabilizör eksikliği daha fazla klor üretimine zorlar ve bu da hücrenin ömrünü kısaltır. Öte yandan yüksek stabilizör de klorun dezenfeksiyon özelliğini düşürecek yönde etkiler.

Havuzun suyu aşağıdaki değerleri karşılamalıdır.

Tuz		5 – 6 Kg/m ³
pH	Beton Havuz	7.2 – 7.6
	Polyester	6.8 – 7.0
TAC		60 – 100 ppm
TH		15 – 20 Fransız
Stabilizör		20 – 30 ppm (veya üreticinin önerisi)
Sıcaklık		>10°C

2.4.Tuz Ekleme

- Tuz ekleme işlemi sırasında tuzun hepsi çözünene kadar sistem tamamen kapatılmalıdır. Tuz tamamen çözünmeden sistemin çalıştırılması durumunda hücre geri döndürülemez hasar alabilir. Bu nedenle oluşacak bir hasar ürünün garanti kapsamında çıkmasına neden olur.
- Havuzun su hacmini hesaplayın, 1 m³ için 5-6 kg tuz konsantrasyonu olacak şekilde tuz atılmalıdır. Bu işlem sırasında tuz klor jeneratörünün bağlı olmadığından emin olun ve 24 saat filtrasyon sistemini çalıştırmayın.
- Yeni kaplama yapılan bir havuzda, kaplamadan 4 hafta sonraya kadar tuz atmadan bekleyin.
- Tuzun çözünme hızı havuz süpürgesi kullanılarak hızlandırılabilir. Tuz konsantrasyonun 5-6 kg/m³ olduğundan emin olun.
- Tuz klor jeneratörünün tuz tüketimi yoktur, fakat yağmur ve su takviyesi gibi nedenlerle konsantrasyonu düşebilir.

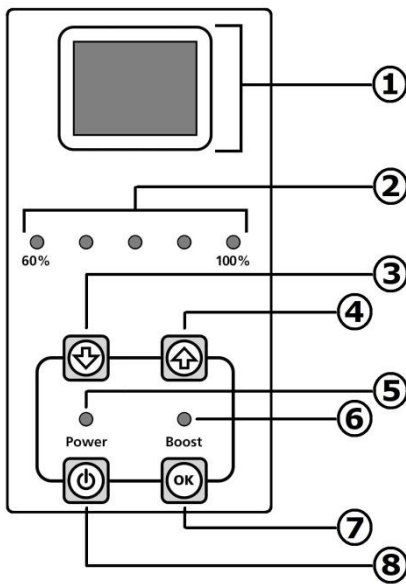


Tuz eklemeniz gereken durumlarda tuzu mümkün olduğunca havuza dönüş hattına yakın dökün. Kesinlikle skimmere veya emiş süzgeçlerine dökmeyin.

3.DEVREYE ALMA – KULLANIM

- Elektrik ve su tesisatını tekrar gözden geçirin. Yukarıda yazılı olan montaj talimatlarını doğru uyguladığınızdan emin olun. Bir eksiklik ya da hata yoksa devreye alma işlemlerine başlayabilirsiniz.
- Su giriş ve su çıkış vanalarını açın, by – pass vanasını kısın. Vanalarda ve haznede su kaçağı olmadığından emin olun.
- Faz, nötr ve topraklama kablolarının doğru bağlandığından emin olun. Unutmayın cihaz pompa ile beraber çalışıp pompa ile beraber kapanacaktır. Kaçak akım rölesini/sigortasını açın. Kontrol kalemi veya ölçü aleti ile besleme klemenslerini kontrol edin.
- Cihaz ön kısmındaki kontrol ekranı yanıp,ekranda kapalı mod yer alacaktır.
- Jeneratör fabrika ayarlarında çalışacaktır. Bu ayarları değiştirmek isterseniz kullanma kılavuzu yardımı ile gerekli değişiklikleri yapabilirsiniz.

3.1.Kontrol Kontrol Ünitesi ve Ayarları



- 1.2x7 Segment Display; cihaz ile ilgili bilgiler ve uyarılar gösterilir.
- 2.LED Bar; Cl üretim yüzdesini ve ayar menüsünde parametre sayfalarını belirtir.
- 3.Cl üretim yüzdesini azaltmaya, ayar menüsünde bir alt parametreye geçiş ve parametre değerlerini eksiltme fonksiyonlarını gerçekleştirir.
- 4.Cl üretim yüzdesini arttırma, ayar menüsünde bir üst parametreye geçiş ve parametre değerlerini arttırma fonksiyonlarını gerçekleştirir.
- 5.Cihaz açık/kapalı(on/off) mod gösterge LED'i
- 6.Cihaz Boost modunda çalışma gösterge LED'i
- 7.Ayar menüsündeki parametrelerde seçim yapma, ayarlanan parametreleri onaylayıp kaydetme fonksiyonlarını gerçekleştirir. Çalışma sırasında uzun 3sn. basılı tutulması ile cihaz boost moduna geçer ve 8 saat boyunca tam kapasitede çalışır.
- 8.Cihaz ON/OFF (kapatıp açma), ayar menüsüne giriş(cihaz kapalı, OFF konumdayken 3sn. basılı tutulur) ve ayar menüsünde parametrelerden çıkış fonksiyonlarını gerçekleştirir.

3.1.1.Kontrol Ünitesi Çalışma Ekranı İfadeleri

3.1.1.a.Cihazın Açık(ON) - Kapalı(OFF) Moda Alınması

GSC Online Tuz Klor Jeneratörüne enerji verip çalıştırıldığında cihaz en son kaldığı moda göre Açık(ON) veya Kapalı(OFF) modda olacaktır. Cihazın hangi modda olduğu POWER LED durumundan anlaşılmaktadır. Cihaz Açık (ON)modda POWER LED yanar, Kapalı (OFF)modda ise POWER LED sönmüktür.

3.1.1.b.Cihazın Klor Üretimine Alınması

Cihaz açma kapatma butonu ile açık konuma alınır. Cihazın display kısmında anlık su sıcaklığı görünecek, CL üretim yüzdesi LED barında bulunan LEDler ve elektrot hücresindeki LEDler yanacaktır. Polarite durumuna göre elektrot hücresi mavi veya yeşil renkte LEDler ile ışıklandırılacaktır. Arıza veya hata durumunda ise elektrot hücresi kırmızı renkte ışıklandırılır.

Cihaz açılıp bir sorunsuz bir şekilde çalışmaya başladığında ekran üzerinde anlık su sıcaklığı görünecektir. Elektrot haznesi mavi veya yeşil renkte olacaktır. Bu esnada yön butonlarına basılarak CL üretim yüzdesi arttırıp azaltılabilmektedir ayrıca OK butonuna bir kez basılır ise elektrotların anlık çektiği akım gösterilir ve sonra otomatik olarak su sıcaklığı ekranına geri döner.

3.1.1.c.Cihazın Boost Moda Alınması

Cihazda bulunan Boost Modu sayesinde havuzun hızlı bir şekilde klor ihtiyacının karşılanması sağlanır. Boost Modu cihazın 8 saat boyunca tam kapasitede çalışıp sonra tekrar normal çalışmada ayarlanan üretim kapasitesine geri dönmesini sağlar. **Cihaz Açık(ON) modda iken OK butonuna 3sn. basılı tutularak cihaz Boost moduna alınır.**



Cihaz Boost modunda çalışırken; yön butonlarıyla üretim kapasitesinde değişiklik yapmak cihazı Boost moddan çıkarır.

3.1.1.d.Cihazın Havuz Örtüsüyle Çalışması

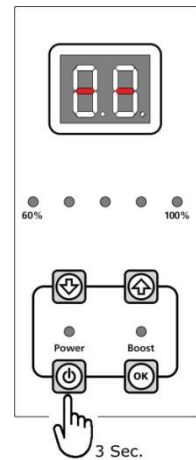
Cihazda bulunan havuz örtüsü kapanma kontrolü sayesinde; örtü kapalıyken klor üretim oranını ayarlama imkanı sağlar. Havuz örtüsü kapanma kontrolü bağlantı soketine N.O kontağı(Kuru Kontak) bulunan switch bağlanır. Havuz örtüsü kapandığında switchten gelen sinyal cihazı örtü moduna geçirir ve ekranda aralıklarla **CO** simgesi belirir. Cihaz örtülü modda çalışırken istenilen üretim değeri yön butonları ile arttırılıp azaltılır.

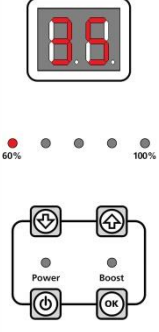
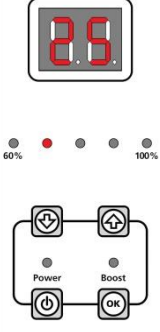
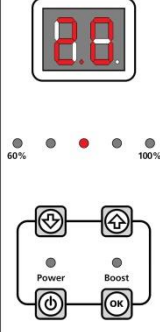
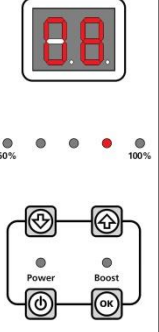
3.2.Ayar Menü

Ayar menüsü cihazın ayar parametrelerinin bulunduğu bir ara yüzdür. Yapılan değişiklikler ve ayarlamalar ile cihazın optimum seviyede çalışmasına olanak sağlar. Ayar menüsüne giriş için cihaz kapalı (OFF) konuma alınır. Kapalı konumda ekrana yandaki gibi bir görüntü gelecektir. Cihaz kapalı (OFF) konumda iken **MENU** butonuna 3 saniye basılı tutulur. Cihaz otomatik olarak ayar menüsüne geçiş yapacaktır.

Ayar menüsü içerisinde sırası ile;

- Anlık elektronik kart sıcaklığı
- Anlık su sıcaklığı
- Versiyon numarası
- Polarite değiştirme süresi bulunmaktadır.



			
<p>Anlık elektronik kart sıcaklığı gösterilmektedir. 60% gösterge LED'i bu parametreyi ifade etmektedir. Yön butonları ile parametreler arası geçiş sağlanır.</p>	<p>Anlık su sıcaklığı gösterilmektedir. 70% gösterge LED'i bu parametreyi ifade etmektedir. Yön butonları ile parametreler arası geçiş sağlanır.</p>	<p>Cihaz versiyon numarası gösterilmektedir. 80% gösterge LED'i bu parametreyi ifade etmektedir. Yön butonları ile parametreler arası geçiş sağlanır.</p>	<p>Polarite değiştirme süresi gösterilmektedir. 90% LED'i bu parametreyi ifade etmektedir. Yön butonları ile parametreler arası geçiş sağlanır. OK butonuna bir kez basılarak parametre içerisine girilip ayar yapılabilir.</p>

3.2.1.Polarite Periyodu Ayarlanması

Kullanılan suyun fiziksel özellikleri coğrafi bölgelere göre değişkenlik gösterse de içerisinde mutlaka belli oranlarda kalsiyum,magnezyum, demir ve diğer mineralleri bulundurması kaçınılmazdır. Su soğuk iken askıda bulunan bu mineraller elektroliz esnasında sudan ayrışır bir kısmı hazne içerisindeki elektrotlara yapışır. Belli bir süre sonra elektrotların üzeri tamamen kireç olarak tabir edilen maddeyle kaplanır. Kireç tabakası yalıtkan özelliğe olduğundan elektrotlar arası elektrik akışını zorlaştırır. Bunun sonucunda klor üretim verimi düşer.Elektrotlarda oluşan bu kirecin belli aralıklarla temizlenmesi gerekmektedir.

Bu temizleme işlemi cihaz; polarizasyonu değiştirerek otomatik olarak yapabilme özelliğine sahiptir. Polarite değiştirme süresinin gösterilen parametre ekranda iken (90% gösterge LED'i yanar.) **OK** butonuna bir kez basılarak parametre içerisine girilir, parametreden çıkmak için ise **MENU** butonuna bir kez basılması gerekir. Parametre içerisine girildiğinde ekrandaki değer yanıp sönmeye başlar.Bu esnada yön butonlarıyla parametre değeri değiştirilir. İstenilen değer verildiğinde **OK** butonu ile seçilip kaydedilir.

4.TEMİZLİK – BAKIM TALİMATLARI

4.1.Elektrot Temizliği

Kullanılan suyun fiziksel özellikleri coğrafi bölgelere göre değişkenlik gösterse de içerisinde mutlaka belli oranlarda kalsiyum,magnezyum, demir ve diğer mineralleri bulundurması kaçınılmazdır. Su soğuk iken askıda bulunan bu mineraller elektroliz esnasında sudan ayrışır bir kısmı hazne içerisindeki elektrotlara yapışır. Belli bir süre sonra elektrotların üzeri tamamen kireç olarak tabir edilen maddeyle kaplanır. Kireç tabakası yalıtkan özelliğe olduğundan elektrotlar arası elektrik akışını zorlaştırır. Bunun sonucunda klor üretim verimi düşer.Elektrotlarda oluşan bu kirecin belli aralıklarla temizlenmesi gerekmektedir.

Bu temizleme işlemi cihaz; polarizasyonu değiştirerek otomatik olarak yapabilme özelliğine sahiptir. Fakat kalsiyum derişiminin çok yüksek olduğu durumlarda bu özellik tam olarak kireç tortusunu ortadan kaldıramayabilir. Düzenli olarak gözle hücrede kireç tortusunu kontrol edip, gerekli durumlarda hücre elle temizlenmelidir.

- 1.Pompa ve tuz klor jeneratörünü kapatın.
- 2.Elektrot hücresinin su giriş ve su çıkış vanalarını kapatın.
- 3.Rakorlu elektrot kafasını açın, elektrot kablosunu düzgün bir şekilde terminalden sökün ve elektrodu hazneden çıkartın.
- 4.İdeal olarak bir gün boyunca elektrodun kuruması beklenirse kireç tortusu kendini serbest bırakır. İşlem sırasında elektrodun hassas kapağının zarar görmemesine özen gösterin ve dikkat edin. Bu işlem sırasında elektrodu çizebilecek metal malzeme ile kesinlikle vurmayın. Kireç tortusunu çözmek için basınçlı su kullanılabilir.
- 5.Eğer basınçlı su, kireç tortusunu kaldıramadıysa, elektrodu %20 hidroklorik asit çözeltisinin içine batırabilirsiniz. Elektrodun üst kısmında bulunan terminaller çözeltiye temas etmemelidir.
- 6.Temizlikten hemen sonra elektrot temiz su ile durulanmalı, terminallerin olduğu yer dikkatlice kurutulmalı ve tekrar monte edilmelidir.

Elektrotu kesinlikle asit içerisinde 5 dakikadan fazla bekletmeyin! Metal objelerle elektrodu çizmeyin! Güvenlik nedeniyle asidi suyla seyreltin!

4.2.Tavsiyeler

GSC tuz klor jeneratörünün bipolar hücreleri özel bir teknik kullanılarak yüksek kalite standartlarının altında olağan üstü bir süre ve direnç kazandırılarak üretilmiştir. Fakat elektrottan tam ve en uzun performansı almanız engelleyici faktörler bulunmaktadır. Bunlar:

- Elektrodun yüzeyinde kireç tortusu ile çalıştırmak.
- Aşırı klor konsantrasyonu (3.00 ppm üzeri klor aşındırıcı etkidir.)
- Yüksek veya düşük pH ile çalışma
- Tuzsuz veya yüksek konsantrasyonda tuz ile çalışma
- 10 °C altındaki suda çalıştırma
- Klorinatör çalışırken tuz ekleme
- Skimmerde veya dip süzgecini yerleştirmeden pH düzenleyici enjekte etmek

Hücre terminallerini periyodik olarak kontrol etmeniz ve kükürtlenmeye karşı yağlamanız tavsiye edilir. Ekipmanı kapatmanız gereken durumlar:

- Susuz çalışma
- Filtre temizlenirken
- Havuz boşaltılırken
- Su donduğunda
- Hücre temizlenirken

4.3.Arıza Kodları ve Önerilen Çözüm Yolları

Arıza Kodu	Muhtemel Arıza	Çözüm Yolu
E1	Kablo kopuk veya temas etmiyor	Kabloyu ve bağlantı terminallerini kontrol edin, gerekiyorsa değiştirin.
	Elektrot kablo bağlantısında problem var	Elektrot kablo bağlantı terminallerini kontrol edin.
	Yoğun kireç	Hücreden kireci temizleyin ve polarite periyodunu düşürün.
E2	Kireç var	Hücreden kireci temizleyin ve polarite periyodunu düşürün.
	Su çok sert	Suyu yumuşatın.
E3	Cihaz çıkışında kısa devre var	Cihaz elektrot kablosunu, elektrot bağlantı terminallerini kontrol edin ve gerekiyorsa değiştirin.
E4	Elektronik kart arızası	Üretici ile iletişime geçin.
E5	Su Seviye uyarısı	Elektrot haznesindeki su seviyesini kontrol edin
E6	Elektronik kart yüksek sıcaklık uyarısı	Üretici ile iletişime geçin.
E7	Yüksek su sıcaklığı uyarısı	Üretici ile iletişime geçin.
Lo	Düşük tuz seviyesi uyarısı	Havuz tuz eklenmelidir.

5. GARANTİ - SATIŞ SONRASI SERVİS - YEDEK PARÇALAR

1. Elektronik hücre ve doğrultucu (redresör) iki yıl garanti altındadır.
2. Ürünler, aşağıda bulunan maddeler doğrultusunda garanti kapsamı dışına alınır.
 - a. Ürünün kullanma talimatına aykırı kullanımından doğan arızalar.
 - b. Yanlış elektrik bağlantılarından doğan arızalar.
 - c. Çarpma ve benzeri kazalardan doğan arızalar.
 - d. Redresöründe sudan doğacak arızalar.
 - e. Bypass devresi (bağlantı şemasına uygun) olmadan çalışmasından doğacak arızalar.
 - f. Redresörü kapatmadan skimmere asit dökülmesinden kaynaklanan arızalar.
 - g. Dezenfeksiyon için kullanılan asit tankının bulunduğu makine dairesi içerisinde yetersiz hava sirkülasyonunun olmasından kaynaklanan arızalar.
 - h. Puritron; pompa, filtre ve çok yollu vana da dahil olmak üzere temizlik ekipmanlarıyla kesinlikle aynı ortamda bulundurulmamalıdır.





"Pool Technology"

GEMAS Genel Mühendislik Mekanik San.ve Tic.A.Ş.

İTOB Organize Sanayi Bölgesi 10001 Sok.No:28 Menderes/İZMİR TURKEY

Tel:0232 799 0 333 Fax:0232 799 0 330 www.gemas.com.tr info@gemas.com.tr