

# POOL DIRECTOR ECO



INSTALLATION AND MAINTENANCE MANUAL  
KURULUM VE BAKIM TALİMATI

Version: 2.0







The instructions for use must be read carefully before assembly process must be performed by experienced technicians. Installed in violation of the assembly instructions; damages and failures that may occur in products with electrical and water connections are not covered by warranty. Gemaş Pool Director Eco is a device designed and manufactured for use only in pool water control. Using the purchased device for other purposes; maybe a dangerous to the device, the place used, and the people who use the device. In terms of life safety and product device should be installed in places where children can not reach.



The ground connection must be connected to a proper grounding line. Electrical energy should be taken from a line with residual current protection. Serious injury or even death can occur as a result of electric shock. So, seek help from experienced technicians.

## 1. PRODUCT FEATURES

- Microcontroller technology
- Touch keypad
- Independent manual, automatic and ratio control mode for pH and Redox
- Automatic calibration with selected calibration liquids
- Optional pool water temperature measurement
- Optional dosing liquid level controls
- RS485 output for optional DATA transfer

### 1.1. Technical Specifications

pH	0.00 - 14.00 pH
Redox	0 - 1000 mV
Input Voltage	220 - 230 VAC, 50 Hz
Average Power Consumption	12 W
pH Dosing Pump Output	220 - 230 VAC max. 8 A
Redox (Chlorine) Dosing Pump Output	220 - 230 VAC max. 8 A
Alarm Output	220 - 230 VAC max. 8 A
pH Tank Level Input	Dry Contact
Redox (Chlorine) Tank Level Input	Dry Contact
EXT Input	Dry Contact
Monitoring and Control with Wifi Connection	Optional

### 1.2. Box Contents

Device Name	Explanation	Quantity
Pool Director Eco Device	pH+Redox+with Temperature and Control	1
Dosing Pump	3l/h 1 Bar Peristaltic Dosing Pump	2
pH Electrode	pH with 5 m of cable	1
Redox Electrode	ORP with 5 m of cable	1
Hose	4 x 6 mm Polyethylene Hose	4 x 2 Meter
Sensor Connection Kit	1/2" - 1/2"	2
Liquid Injection Kit	4 x 6 mm	2
Pipe saddle	50 x 1/2"	4
Test kit	Liquid Test Kit	1
Calibration Liquids	pH4 - pH7 - 475 m V Calibration Liquids	3
Hanger bracket		1

## 2. ASSEMBLY - INSTALLATION



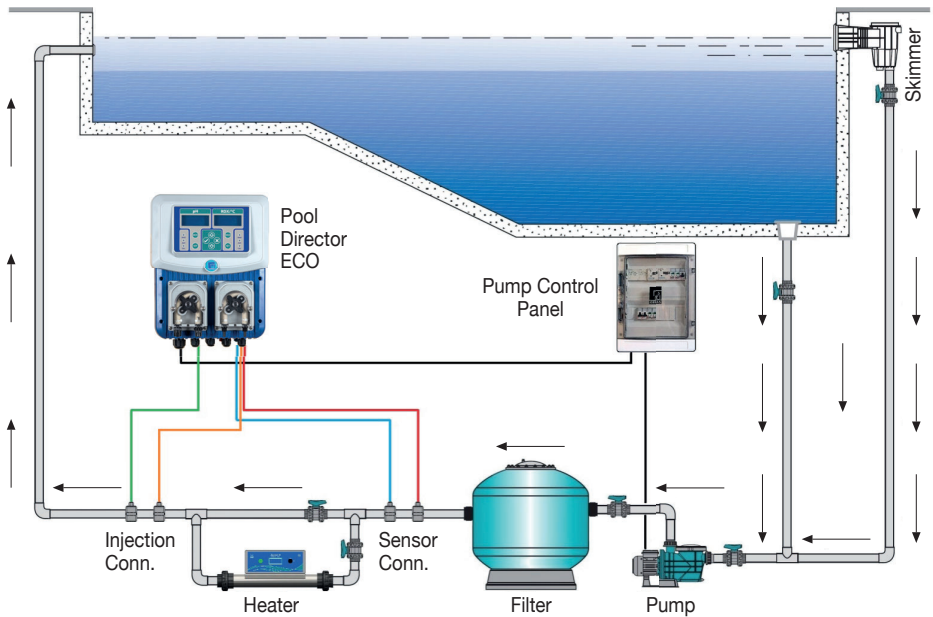
Assembly and installation must be done by authorized service or experienced electrician and plumber. Otherwise, the manufacturer and the seller cannot be held responsible for the problems that may arise from incorrect installation and commissioning. Repair, maintenance and parts replacement cannot be claimed under warranty. Before starting the assembly, make sure that the following conditions are met by taking safety precautions regarding electricity and water for the device to work smoothly and for your life and property safety.



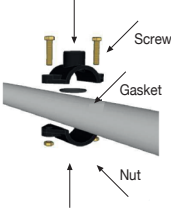


**CAUTION!** Electric shock can cause serious injury or even death. Cut off the energy in the energy cables coming to the device and place warning signs so that they do not open during operation.

- A place for easy access and reading should be determined for device installation.
- Device; It should be in a place where there is air flow, protected from rain and there is no danger of water leakage.
- If there are acid tanks in the area where the device is located, there must be air flow in the environment. Otherwise, electronic components may be corroded by the effect of acid.
- Mark the hole locations on the wall to be mounted for the assembly process.
- Drill holes in the marked places, fix the device with the help of dowels and screws.




### 2.1. Installation Diagram








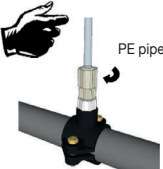
## 2.2. Mounting Procedure of Pipe Saddles

		
<p><b>Step 1</b> Place the pipe saddle on the tube as shown in the figure, with a distance of 15 cm between them.</p>	<p><b>Step 1</b> Place the pipe saddle on the tube as shown in the figure, with a distance of 15 cm between them.</p>	<p><b>Step 1</b> Place the pipe saddle on the tube as shown in the figure, with a distance of 15 cm between them.</p>

## 2.3. Mounting Procedure for Sensors Connection Kit

 <p>Teflon band</p>		
<p><b>Step 4</b> Put teflon band on the sensor holder threads.</p>	<p><b>Step 5</b> Insert the sensor holder neatly into the socket and tighten gently with the wrench.</p>	<p><b>Step 6</b> The sensor holder is mounted. After the installation is complete, assemble the sensors.</p>

## 2.4. Mounting procedure for Pipes Connection kit

 <p>Teflon band</p>		
<p><b>Step 7</b> Put teflon band on the threads of the injection valve that will be connected to the pipe saddle.</p>	<p><b>Step 8</b> Insert the injection valve properly into the pipe saddle.</p>	<p><b>Step 9</b> Tighten gently with the wrench.</p>
		 <p>PE pipe</p>
<p><b>Step 10</b> Unscrew the cap of the injection valve.</p>	<p><b>Step 11</b> 4x6mm PE hose through the injection valve cover and the hose holder fitting. Place the conical inner pipe compression piece inside the pipe.</p>	<p><b>Step 12</b> Push the hose holder towards the end of the tube to slightly tighten the tube. Tighten the injection valve cap with the connection made.</p>

## 2.5. Electrical Connection



Electrical and mechanical measures have been taken to protect the safety of life and property in the GEMAŞ Pool Director Eco . For electrical measures to fulfill their function, warnings regarding residual current relay and grounding must be taken into account.

The manufacturer/seller company cannot be held responsible for any problems that may arise due to the failure of the Leakage Current Relay being installed, its subsequent malfunction, cancellation, connection of the ground wire, and poor grounding.

- **Earth Leakage Relay:** Use a CE certified residual current relay that you are sure is working. Make sure that the relay you will use controls the device. Definitely test the residual current relay every year.
- **Supply Cable:** The device supply cable must be at least 3 x 1.5 mm.
- **Grounding:** Make sure that the grounding in your facility is well done. Make sure to connect the grounding line of the installation to the device. If necessary, test the grounding line. You should also see the voltage value you see between phase and neutral between phase/ground. The voltage between neutral and ground should be at most 2 V AC.

L-N: 220 V AC

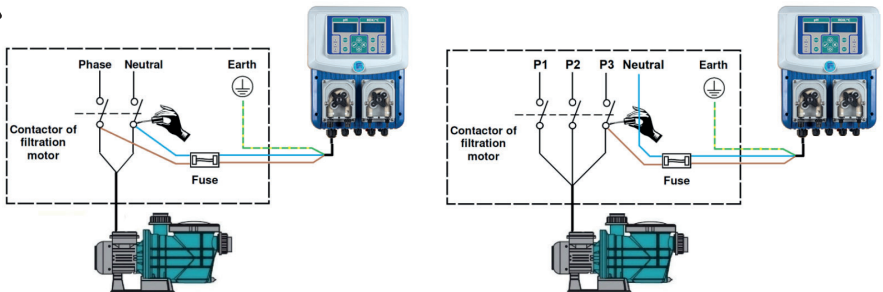
L-PE: 220 V AC

N-PE: Maksimum 2 V AC

- Connect the grounding cable (yellow and green) of the 220 V AC input cable to the grounding line of the installation. Connect the phase (brown) and neutral (blue) wires to the outputs of the pump contactor.



The device must be operated in parallel with the pump.



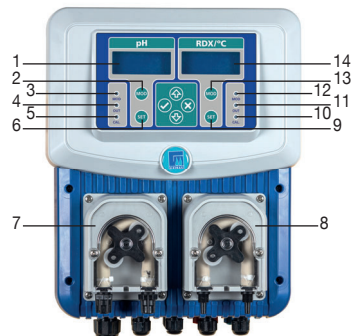
## 3. USAGE

### 3.1. Buttons on the device - Indicator Led and Their Functions

1. **Ph Screen:** It is the part where the measured instant Ph value is displayed.
2. **Ph MODE Button:** It is the button to select the dosing mode of the Ph deceiver or increaser liquid. In addition, when the button is pressed for 3 seconds, it automatically switches to the setting 6 edo.
3. **Ph Mode Indicator Led:** It refers to the dosing mode of the Ph deceiver or increase liquid.

**Switch Off LED:** Mode is OFF  
**Switch On LED:** Mode is ON  
**Flashing LED:** Mode is AUTO

4. **Ph OUT Indicator Led:** It is an indicator led that expresses the dosing status of the Ph deceiver/increaser liquid.
5. **Ph CAL Indicator Led:** Indicates whether the Ph sensor calibrating function is active or passive.
6. **Ph SET Button:** It is the button that directs the Ph set value (the desired Ph value in the pool) to the parameter where it is adjusted. In addition, when the button is pressed for 3 seconds, it automatically switches to the Ph sensor calibration function.
7. **Ph Dosing Pump:** It is the pump that sends the Ph deceiver/increaser liquid to the system.
8. **RDX(Chlorine) Dosing Pump:** It is the pump that sends the Redox increaser liquid (chlorine) to the system.



- 9. **RDX SET Button:** It is the button that directs to the parameter where the Redox set value (the Redox value desired to be in the pool) is set.
- 10. **RDX CAL Indicator Led:** Indicates the active or passive status of the Redox sensor calibration function.
- 11. **RDX OUT Indicator Led:** It is the indicator led that expresses the dosing status of the Redox increaser fluid. (Chlorine)
- 12. **RDX MODE Indicator Led:** Indicates the dosing mode of the Redox increaser liquid. (Chlorine)

**Switch Off Led:** Mode is OFF  
**Switch On Led:** Mode is ON  
**Flashing Led:** Mode is AUTO

- 13. **RDX MODE Button:** This is the button where the dosing mode of the 6 edox increaser liquid (chlorine) is selected.
- 14. **RDX Screen:** It is the part where the measured instantaneous Redox value and the measured instantaneous temperature value (optional) are displayed.

### 3.2. Ph MODE Parameter

It is the parameter in which the dosing mode of the pH increaser or decreaser liquid is adjusted. By pressing the MODE button in the pH section, you can switch between the modes in the parameter. There are three options in this parameter. (OFF-ON-AUTO)

**3.2.1. pH MODE OFF:** When this mode is set, the pH part will be closed for dosing, it cuts the energy of the dosing pump. pH MODE and pH OUT indicator led turns off.

**3.2.2. pH MODE ON:** When this mode is set, the dosing pump of the pH part is energized and dosing. The pH MODE and pH OUT indicator led turns on.

**3.2.3. pH MODE AUTO:** When this mode is set, the increaser or reducer liquid is dosed in line with the value read on the pH sensor and the SET value. Dosing stops automatically when the desired value is found. The pH MODE indicator led flashes, and the pH OUT indicator led acts according to the operating status of the dosing pump.

### 3.3. pH SET Parameter

pH set value; is the desired pH value for the pool. Dosing is done by comparing the value read by the sensors with the set value entered here. Dosed pH decreaser or increaser liquid ensures that the pool is at the desired pH value.

By pressing the **SET** button in the pH section once, the parameter is entered, and to exit the parameter, the **X** button must be pressed once. After entering the parameter, you will see a screen like the one on the right. The value here is changed with the direction buttons. When the desired value is given, it is selected and saved with the **V** button and the parameter is automatically exited.



### 3.4. pH Calibration Parameter

Due to the characteristic structures of pH sensors, the measurement values change over time. The change in the measurement value of the sensor affects the value displayed by the device. For this reason, sensors should be calibrated at regular intervals by liquids with known as pH values (**pH4 - pH7**). To do this, the pH calibration parameter is used.

pH By pressing the **SET** button in the pH section for 3 seconds, the parameter is entered. To exit the parameter, the **X** button must be pressed once. After entering the parameter, a screen like the one on the right is displayed. The pH sensor is first immersed in the **pH4** liquid and the timer is started by pressing the **V** button. The sensor is left in the liquid until the timer on the display resets.



When the timer is reset, a screen like the one on the right is displayed. The sensor is removed from the pH4 liquid, cleaned, dried and immersed in the pH7 liquid, pressing the **V** button once and the timer is started. The sensor is left in the liquid until the timer on the screen is reset. When the timer is reset, the pH sensor is calibrated.



### 3.5. RDX MODE Parameter

It is the parameter where the dosing mode of the Redox booster liquid (chlorine) is adjusted.

By pressing the **MODE** button in the RDX section, the mode in this parameter is switched. There are three options in this parameter. (**OFF-ON-AUTO**)

**3.5.1. RDX MODE OFF:** When this Mode is set, RDX part will be closed to dosing, it will cut off the energy of dosing pump. The RDX MOD and RDX OUT indicator led turns off.

**3.5.2. RDX MODE ON:** When this Mode is set, the dosing pump of the RDX part is energized and dosing. The RDX MOD and RDX OUT indicator led turns on.

**3.5.3. RDX MODE AUTO:** When this mode is set, the increaser liquid (chlorine) is dosed according to the value read on the redox sensor and the SET value. Dosing stops automatically when the desired value is found. The RDX MODE indicator led flashes, and the RDX OUT indicator led acts according to the operating status of the dosing pump.

### 3.6. RDX SET Parameter

Redox set value; is the desired redox value for the pool. Dosing is done by comparing the value read by the sensors with the set value assigned here. Dosed Redox increasing liquid (chlorine) ensures that the pool is at the desired redox value.

By pressing the **SET** button in the RDX section once, the parameter is entered, and to exit the parameter, the **X** button must be pressed once. After entering the parameter, a screen like the one on the right is displayed. The value here is changed with the direction buttons. When the desired value is assigned, it is selected and saved with the **V** button and the parameter is automatically exited.



### 3.7. RDX Calibration Parameter

Due to the characteristic structures of Redox sensors, the measurement values change over time. The change in the measurement value of the sensor affects the value displayed by the device. For this reason, sensors should be calibrated with Redox liquid at regular intervals (475 mV). To do this, the RDX Calibration parameter is used.

Redox sensor is immersed in 475 mV liquid. By pressing the **SET** button in the RDX section for 3 seconds, the parameter can be entered, and the **X** button must be pressed once to exit the parameter. After entering the parameter, a screen like the one on the right is displayed and the timer starts automatically. The sensor is left in the liquid until the timer on the screen is reset. When the timer is reset, the redox sensor is calibrated.



### 3.8. Setting Menu

Par. No	Name	Explanation	Value
P-01	Tolerance Setting Proportional Difference Setting	It is the deviation amount from the adjusted pH SET and RDX SET value.	0-100
P-02	Proportional Difference Setting	It is the proportional operation difference adjustment from the adjusted pH SET and RDX SET value.	0-250
P-03	Selection of Proportional Operation	0: Passive                      1: Active	0-1
P-04	pH Dosing Liquid Selection	0: pH Decreaser              1: pH Increaser	0-1
P-05	Temperature sensor selection	0: Passive                      1: Active	0-1
P-06	Device Boot Waiting Time	It is the waiting time before measurement and control when the device is energized. (Second)	0-60
P-07	Dosing Timeout	It is the time selection that should reach the set value. (Minutes)	0-300

Setting menu; It is an interface where the setting parameters of the device are located. It allows the pool to operate at the optimum level with the changes and adjustments made. By pressing the **MODE** button on the pH section for 3 seconds, the menu is entered. To exit the menu, the **X** or **V** button must be pressed once. The value here is changed with direction buttons. When the desired value is assigned, it is selected and saved with the **MODE** button and automatically goes to the next parameter.

**3.8.1. P1 - Tolerance Setting:** It is the deviation amount from the adjusted pH SET and RDX SET value. The reason for giving this value is that dosing does not occur due to the fluctuation in the measurement. Thus, a more stable system is created. The value here is changed with the direction buttons. When the desired value is assigned, it is selected and saved with the **MODE** button and automatically goes to the next parameter.

**3.8.2. P2 - Proportional Difference Setting:** Proportional work; As the value read gets closer to the set value, the operating times of the dosing pumps are reduced and softer control is provided. For example, when the ratio is 100%, the dosing pump runs continuously. At 50%, it works for 30 seconds and stops for 30 seconds. At 10%, it works for 6 seconds, stops for 54 seconds. The value set in this parameter; It is the unit difference between the start of proportional operation and the set value. The value here is changed with direction buttons. When the desired value is assigned, it is selected and saved with the **MODE** button and automatically goes to the next parameter.

**3.8.3. P3 - Selection of Proportional Operation:** Proportional operation; As the reading value gets closer to the set value, the operating times of the dosing pumps are reduced, resulting in a softer control. For example, when the ratio is 100%, the dosing pump runs continuously. At 50%, it works for 30 seconds and stops for 30 seconds. At 10%, it will run for 6 seconds and stop for 54 seconds. This parameter is the parameter in which the proportional operating status of the device is adjusted. By using the direction buttons, it is switched between 0-1 values. When the desired value is given, it is selected and saved with the **MODE** button and automatically goes to the next parameter. (0: Proportional operation disabled - 1: Proportional operation active)

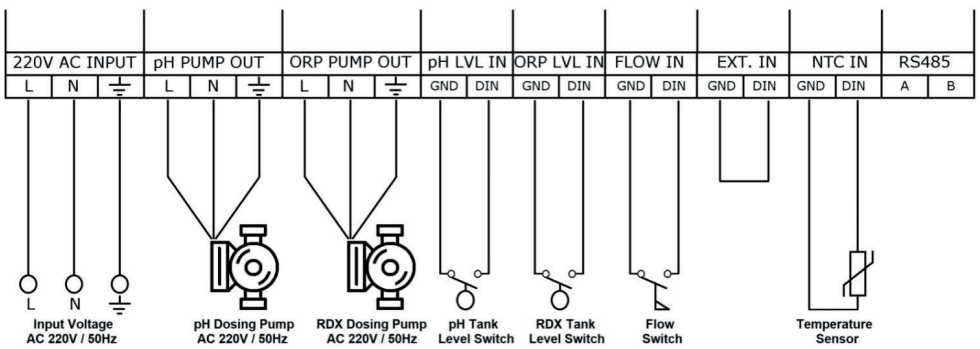
**3.8.4. P4 - pH Dosing Liquid Selection:** It is the parameter in which the device is introduced whether the liquid to be dosed is pH decreaser or pH increaser. By using the direction buttons, it is switched between 0-1 values. When the desired value is given, it is selected and saved with the **MODE** button and automatically goes to the next parameter. (0: pH decreaser will be used - 1: pH increaser will be used)

**3.8.5. P5 - Temperature Sensor Selection:** Displaying the instantaneous value read by the optional temperature sensor on the device is set in this parameter. By using the direction buttons, it is switched between 0 - 1 values. When the desired value is assigned, it is selected and saved with the **MODE** button and automatically goes to the next parameter. (0: The temperature is not displayed on the screen - 1: The temperature is shown on the screen)

**3.8.6. P6 - Initializing Time:** In order for the sensors connected to the system to make more stable measurements and for the device to work more stable, a certain period of time must pass when the device is energized for the first time. The required time is set via this parameter. By using the direction buttons, it is switched between 0 - 60 values. The set value provides the device with a power-on delay in seconds. When the desired value is assigned, it is selected and saved with the **MODE** button and automatically goes to the next parameter.

**3.8.7. P7 - Dosing Timeout:** It is the parameter in which the dosing time of the device is adjusted. If the value read during the set time does not reach the set value, the device gives an alarm. This feature makes it easier to detect dosing and metering problems in the system. By using the direction buttons, it is switched between 0 - 300 values. The set value defines the dosing time in minutes for the device. When the desired value is assigned, it is selected and saved with the **MODE** button and automatically goes to the next parameter.

## 4. ELECTRONIC BOARD CONNECTION DIAGRAM



**AC 220 INPUT:** It is 220 - 230 VAC / 50 Hz Input terminal. When the circulation pump operate, the connection must be made with energy is supplied. It is the input where the energy of the device is supplied. L phase neutral and protective grounding line is connected.

**pH PUMP OUT:** It is the dosing pump connection terminal of the pH liquid. It outputs 220 - 230 VAC. According to the set value, the device energizes the dosing pump and ensures that the pool remains at the appropriate pH value.

**pH LVL IN:** The pH float tank is the terminal where the level float is connected. When there is liquid in the tank, the float rises (switch closed circuit), when there is no liquid, the float falls (switch open circuit). Thus, it detects the condition of the liquid in the tank by the movement of the float.

**ORP-RDX (Chlorine) LVL IN:** The level float of the Redox (CL) fluid tank is connected to the terminal. When there is liquid in the tank, the float rises (switch closed circuit), when there is no liquid, the float falls (switch open circuit). Thus, it detects the condition of the liquid in the tank by the movement of the float.

**FLOW IN:** It is the terminal where the water flow sensor is connected.

**EXT. IN:** It is the terminal where external dry contact input is made to the device.

**NTC IN:** It is the terminal block where the pool water temperature sensor (PT 100) is connected. The value read from the sensor is displayed on the main screen.

**RS485:** It is the terminal where the RS485 communication line is connected. It is designed to work only with GEMAS production information boards only.



Kullanma talimatı; montaj yapılmadan önce dikkatli bir şekilde okunmalı ve montaj işlemi tecrübeli teknisyenler tarafından yapılmalıdır. Montaj talimatına aykırı şekilde montajlanan; elektrik ve su bağlantıları yapılan ürünlerde oluşabilecek hasar ve arızalar garanti kapsamı dışındadır. Bu cihaz, sadece havuz suyu kontrolünde kullanılmak için tasarlanmış ve üretilmiştir. Satın aldığınız cihazı başka amaçlar için kullanmak gerek cihaz için, gerekse kullanılan mahal ve kullanan kişiler için tehlike arz edebilir. Can güvenliği ve ürün açısından; cihaz çocukların ulaşamayacağı yerlere montajı yapılmalıdır.



Topraklama bağlantısını, düzgün bir topraklama hattına bağlayınız. Elektrik enerjisini kaçak akım koruması bulunan bir hattan alınız. Elektrik çarpması sonucu ciddi yaralanmalar hatta ölümler meydana gelebilir. Bu yüzden tecrübeli teknisyenlerden yardım isteyiniz.

## 1. ÜRÜN ÖZELLİKLERİ

- Mikro denetleyici teknolojisi
- Dokunmatik tuş takımı
- pH ve Redox için birbirinden bağımsız manuel, otomatik veya oransal çalışma modu
- Seçilen kalibrasyon sıvısı ile otomatik kalibrasyon
- Opsiyonel havuz suyu sıcaklığı ölçümü
- Opsiyonel dozajlama sıvısı seviye kontrolleri
- Opsiyonel DATA aktarımı için RS485 çıkışı

### 1.1. Teknik Özellikler

pH	0.00 - 14.00 pH
Redox	0 - 1000 mV
Sıcaklık	0 - 99 °C
Giriş Voltajı	220 - 230 VAC, 50 Hz
Ortalama Enerji Tüketimi	12 W
pH Dozaj Pompası Çıkışı	220 - 230 VAC max. 8 A
Redox (Klor) Dozaj Pompası Çıkışı	220 - 230 VAC max. 8 A
Alarm Çıkışı	220 - 230 VAC max. 8 A
pH Tank Seviye Girişi	Kuru Kontak
Redox (Klor) Tank Seviye Girişi	Kuru Kontak
EXT Girişi	Kuru Kontak
Wifi Bağlantısı ile İzleme ve Kontrol	Opsiyonel

### 1.2. Paket İçeriği

Ürün Adı	Açıklama	Miktar
Pool Director ECO Cihazı	pH+Redox+Sıcaklık Ölçüm ve Kontrol Özellikli	1 Adet
Dozaj Pompası	3l/h 1Bar Peristaltik Dozaj Pompası	2 Adet
pH Elektrodu	5 m Kablololu	1 Adet
Redox Elektrodu	5 m Kablololu	1 Adet
Hortum	4 x 6 Polyethylene Hortum	4 x 2 Metre
Sensör Bağlantı Kiti	1/2" - 1/2"	2 Adet
Sıvı Enjeksiyon Kiti	4 x 6 mm	2 Adet
Priz Kolye	50 x 1/2"	4 Adet
Test kiti	Sıvı Test Kiti	1 Adet
Kalibrasyon Sıvıları	pH4 - pH7 - 475 mV Kalibrasyon sıvıları	3 Adet
Askı aparatı		1 Adet

## 2. MONTAJ - KURULUM



Montaj ve kurulum işlemleri kesinlikle yetkili servis veya ehliyetli elektrikçi ve tesisatçı tarafından gerçekleştirilmelidir. Aksi halde hatalı montaj ve devreye almadan kaynaklanabilecek sorunlardan üretici ve satıcı firma sorumlu tutulamaz. Garanti kapsamında tamir, bakım ve parça değişimi talep edilemez.

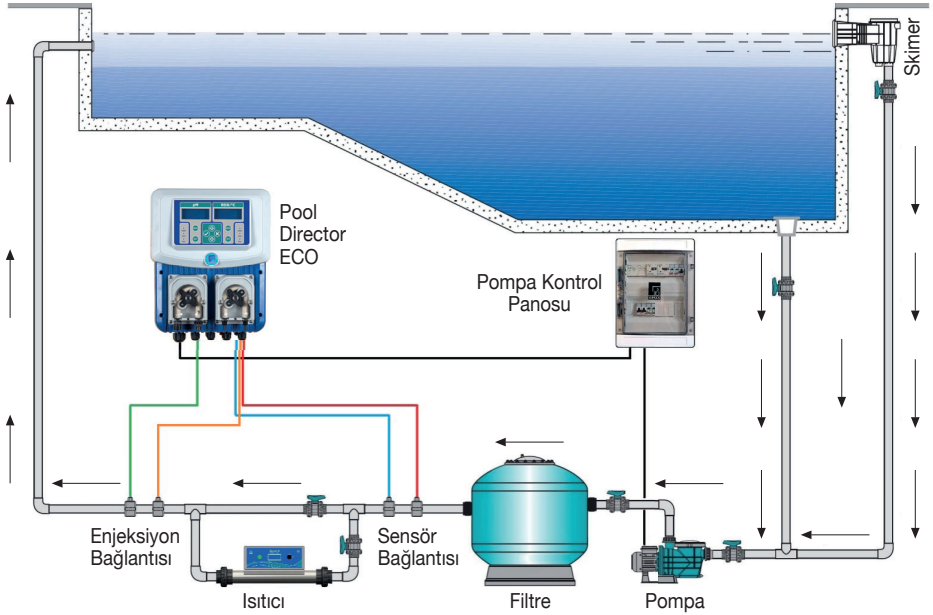
Cihazın sorunsuz çalışabilmesi, can ve mal güvenliğiniz için montaja başlamadan önce elektrik ve su ile ilgili emniyet önlemlerini alarak aşağıdaki koşulların sağlandığından emin olunuz.



Elektrik çarpması sonucu ciddi yaralanmalar hatta ölümler meydana gelebilir. Cihaza gelen kablolarda enerji olmadığına emin olun ve çalışma esnasında açılmaması için uyarı levhalarını yerleştirin.

- Cihaz montajı için kolay ulaşım ve okuma sağlanacak bir yer belirlenmelidir.
- Cihaz; hava akışının olduğu, yağmurdan korumalı ve herhangi bir su sızıntısı tehlikesi olmayan bir yerde olmalıdır.
- Cihazın bulunduğu bölgede asit tankları var ise ortamda hava akışı olması gerekmektedir. Aksi halde asit etkisi ile elektronik komponentler korozyona uğrayabilir.
- Montaj işlemi için monte edeceğiniz duvarda delik yerlerini işaretleyiniz.
- İşaretlenen yerlere delikler açınız, dübel ve vida yardımı ile cihazı sabitleyiniz.




### 2.1. Tesisat Şeması








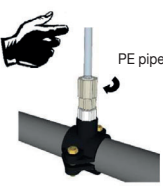
## 2.2. Priz Kolye Montajı

		
<b>1. Adım</b> Şekilde görüldüğü gibi olmalı	<b>2. Adım</b> Yanlardaki her iki somunu eşit şekilde sıkınız.	<b>3. Adım</b> Priz kolye ayarlandıktan sonra uygun şekilde ortalanmış olarak matkap ile 16mm'lik bir delik açınız.

## 2.3. Sensör Bağlantı Kiti Montajı

		
<b>4. Adım</b> Sensör tutucunun priz kolyeye bağlanacak olan dişli kısmına teflon sarınız.	<b>5. Adım</b> Sensör tutucuyu priz kolyeye düzgünce yerleştiriniz ve anahtarla nazikçe sıkınız.	<b>6. Adım</b> Sensör tutucu monte edilmiştir. Kurulum tamamlandıktan sonra sensörleri monte ediniz.

## 2.4. Boru Bağlantı Kiti Montajı

		
<b>7. Adım</b> Enjeksiyon valfinin priz kolyeye bağlanacak olan dişli kısmına teflon sarınız.	<b>8. Adım</b> Enjeksiyon valfini priz kolyeye düzgünce yerleştiriniz.	<b>9. Adım</b> Anahtarla nazikçe sıkınız.
		
<b>10. Adım</b> Enjeksiyon valfi kapağını çıkarınız.	<b>11. Adım</b> 4x6mm PU hortumu; enjeksiyon valfi kapağı ve boru dışı sıkıştırma parçasının içinden geçirin. Konik şekilde olan boru içi sıkıştırma parçasını borunun içine yerleştiriniz.	<b>12. Adım</b> Boru dışı sıkıştırma parçasını; borunun ucuna doğru boruyu hafifçe sıcak şekilde iletiniz. Enjeksiyon valfi kapağını yapılan bağlantı ile birlikte sıkınız.

## 2.5. Elektrik Bağlantısı



Bu cihazda can ve mal güvenliğini korumaya yönelik elektriksel ve mekanik önlemler alınmıştır. Elektriksel önlemlerin işlevini yerine getirebilmesi için mutlaka kaçak akım rölesi ve topraklama ile ilgili uyarıların dikkate alınması gerekmektedir.

**Kaçak Akım Rölesinin** takılmamasından, sonradan arızalanmasından, iptal edilmesinden, topraklama kablosunun bağlanmamasından, topraklamanın zayıf olmasından kaynaklanabilecek her türlü sorunlardan üretici/satıcı firma sorumlu tutulamaz.

- **Kaçak Akım Rölesi:** CE belgeli ve çalıştığından emin olduğunuz bir kaçak akım rölesi kullanınız. Kullanacağınız rölenin cihazı kontrol ettiğinden emin olunuz. Kesinlikle her yıl Kaçak Akım Rölesini test ediniz.
- **Besleme Kablosu:** Cihaz besleme kablosu en az 3 x 1,5 mm olmalıdır.
- **Topraklama:** Tesisinizdeki topraklamanın iyi yapılmış olduğundan emin olunuz. Tesisatın topraklama hattını mutlaka cihaza bağlayınız. Gerekirse topraklama hattını test ediniz. Faz ile nötr arasında gördüğünüz voltaj değerini faz/toprak arasında da gözmeniz gerekmektedir. Nötr ve toprak arası voltaj değeri en fazla 2 V AC olmalıdır.

L-N: 220 V AC

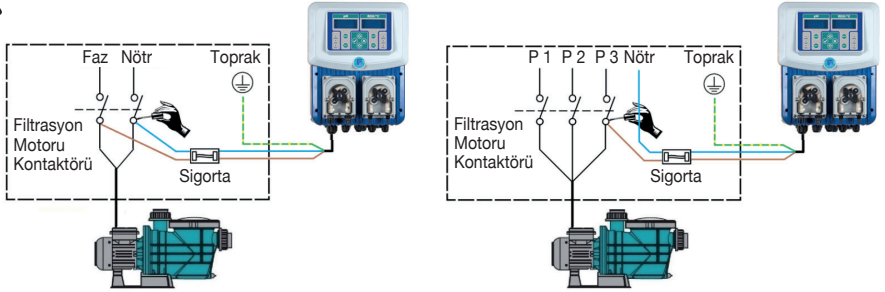
L-PE: 220 V AC

N-PE: Maksimum 2 V AC

- 220V AC giriş kablosunun topraklama kablosunu (sarı ve yeşil) tesisatın topraklama hattına bağlayınız. Faz (kahverengi) ve nötr (mavi) kablolarını pompa kontaktörünün çıkışlarına bağlayınız.



**Cihaz pompaya paralel olarak ve çalıştırılmalıdır.**



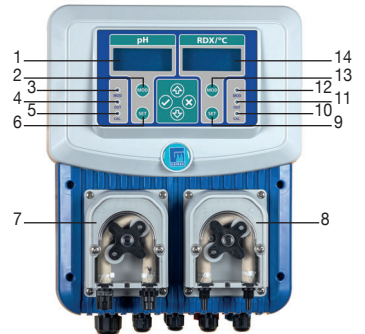
## 3. KULLANIM

### 3.1. Cihaz Üzerindeki Butonlar – Gösterge LED'leri Ve İşlevleri

1. **pH Ekranı:** Ölçülen anlık pH değerinin gösterildiği kısımdır.
2. **pH MOD Butonu:** pH düşürücü veya yükseltici sıvısının dozajlama modu seçiminin yapıldığı butondur. Ayrıca butona 3sn. basıldığında otomatik olarak ayar menüsüne geçer.
3. **pH MOD Gösterge LED'i:** pH düşürücü veya yükseltici sıvısının dozajlama modunu ifade eder.

**Sönük LED:** MOD KAPALI  
**Yanan LED:** MOD AÇIK  
**Yanıp Sönen LED:** MOD OTOMATİK

4. **pH OUT Gösterge LED'i:** pH düşürücü/yükseltici sıvısının dozajlama durumunu ifade eden gösterge LED'idir.
5. **pH CAL Gösterge LED'i:** pH sensörünü kalibre etme fonksiyonunun aktif ya da pasif olma durumunu ifade eder.
6. **pH SET Butonu:** pH set değerinin(havuzda olması istenen pH değerinin) ayarlandığı parametreye yönlendiren butondur. Ayrıca butona 3sn. basıldığında otomatik olarak pH sensörünü kalibre etme fonksiyonuna geçer.
7. **pH Dozaj Pompası:** pH düşürücü/yükseltici sıvısını sisteme gönderen pompadır.
8. **RDx(Klor) Dozaj Pompası:** Redox yükseltici sıvısını(klor) sisteme gönderen pompadır.



9. **RDx SET Butonu:** Redox set değeri (havuzda olması istenen Redox değeri) ayarlandığı parametreye yönlendiren butondur.
10. **RDx CAL Gösterge LEDi:** Redox sensörünü kalibre etme fonksiyonunun aktif ya da pasif olma durumunu ifade eder.
11. **RDx OUT Gösterge LEDi:** Redox yükseltici sıvısının(klor) dozajlama durumunu ifade eden gösterge LED'idir.
12. **RDx MOD Gösterge LEDi:** Redox yükseltici sıvısının(klor) dozajlama modunu ifade eder.

**Sönük LED:** MOD KAPALI  
**Yanan LED:** MOD AÇIK  
**Yanıp Sönen LED:** MOD OTOMATİK

13. **RDx MOD Butonu:** Redox yükseltici sıvısının(klor) dozajlama modu seçiminin yapıldığı butondur.
14. **RDx Ekranı:** Ölçülen anlık Redox değeri ve ölçülen anlık sıcaklık değeri (opsiyonel) gösterildiği kısımdır.

## 3.2. pH MOD Parametresi

pH düşürücü veya yükseltici sıvısının dozajlama modunun ayarlandığı parametredir. pH kısmında bulunan **MOD** butonuna basılarak parametre içerisinde bulunan Modlar arası geçiş yapılır. Bu parametrede üç seçenek bulunur. (**KAPALI-AÇIK-OTOMATİK**)

**3.2.1. pH MOD KAPALI:** Bu Mod ayarlandığında, pH kısmı dozajlamaya kapatılmış olur, dozaj pompasının enerjisini keser. pH MOD ve pH OUT gösterge LEDleri sönük olur.

**3.2.2. pH MOD AÇIK:** Bu Mod ayarlandığında, pH kısmının dozaj pompası sürekli enerjilidir ve dozajlama yapar. pH MOD ve pH OUT gösterge LEDleri yanar.

**3.2.3. pH MOD OTOMATİK:** Bu Mod ayarlandığında, pH sensöründe okunan değer ve SET edilen değer doğrultusunda düşürücü veya yükseltici sıvının dozajlaması yapılır. İstenen değer bulunduğu otomatik olarak dozajlama durur. pH MOD gösterge LEDi yanıp söner, pH OUT gösterge LEDi ise dozaj pompasının çalışma durumuna göre davranır.

## 3.3. pH SET Parametresi

pH set değeri; havuzun sahip olması istenen pH değeridir. Sensörlerle okunan değer burada girilen set değeri ile karşılaştırılarak dozajlama yapılır. Dozajlanan pH düşürücü veya yükseltici sıvı havuzun istenen pH değerinde olmasını sağlar.

pH kısmında bulunan **SET** butonuna bir kez basılarak parametre içerisine girilir, parametreden çıkmak için ise **X** butonuna bir kez basılması gerekir. Parametre içerisine girdikten sonra yandaki gibi bir ekran görüntülenir. Buradaki değer yön butonlarıyla değiştirilir. İstenilen değer verildiğinde **V** butonu ile seçilip kaydedilir ve otomatik olarak parametreden çıkarılır.



## 3.4. pH Kalibrasyon Parametresi

pH sensörlerinin karakteristik yapılarından dolayı ölçüm değerleri zamanla değişiklik göstermektedir. Sensörün ölçüm değerinde oluşan değişiklik cihazın göstermiş olduğu değeri etkilemektedir. Bu nedenle sensörler belirli aralıklarla pH değeri bilinen sıvılar ile kalibre edilmelidirler (pH4 - pH7). Bu işlemi yapabilmek için pH Kalibrasyon parametresi kullanılır.

pH kısmında bulunan **SET** butonuna 3sn.boyunca basılarak parametre içerisine girilir, parametreden çıkmak için ise **X** butonuna bir kez basılması gerekir. Parametre içerisine girdikten sonra yandaki gibi bir ekran görüntülenir. pH sensörü ilk önce **pH4** sıvısına daldırılır ve **V** butonuna basılarak timer başlatılır. Ekrandaki timer sıfırlanana kadar sensör sıvının içinde bırakılır.



Timer sıfırlandığında yandaki gibi bir ekran görüntülenir. Sensör **pH4** sıvısından çıkartılıp temizlenir, kurulanır ve **pH7** sıvısına daldırılıp **V** butonuna bir kez basılır ve timer başlatılır. Ekrandaki timer sıfırlanana kadar sensör sıvının içinde bırakılır. Timer sıfırlandığında pH sensörü kalibre edilmiş olur.



### 3.5. RDX MOD Parametresi

Redox yükseltici sıvısının (klor) dozajlama modunun ayarlandığı parametredir. RDX kısmında bulunan **MOD** butonuna basılarak parametre içerisinde bulunan Modlar arası geçiş yapılır. Bu parametrede üç seçenek bulunur. (**KAPALI-AÇIK-OTOMATİK**)

**3.5.1. RDX MOD KAPALI:** Bu Mod ayarlandığında, RDX kısmı dozajlamaya kapatılmış olur, dozaj pompasının enerjisini keser. RDX MOD ve RDX OUT gösterge LEDi sönmük olur.

**3.5.2. RDX MOD AÇIK:** Bu Mod ayarlandığında, RDX kısmının dozaj pompası sürekli enerjilidir ve dozajlama yapar. RDX MOD ve RDX OUT gösterge LEDleri yanar.

**3.5.3. RDX MOD OTOMATİK:** Bu Mod ayarlandığında, Redox sensöründe okunan değer ve SET edilen değer doğrultusunda yükseltici sıvısının (klor) dozajlaması yapılır. İstenen değer bulunduğu otomatik olarak dozajlama durur. RDX MOD gösterge LEDi yanıp söner, RDX OUT gösterge LEDi ise dozaj pompasının çalışma durumuna göre davranır.

### 3.6. RDX SET Parametresi

Redox set değeri; havuzun sahip olması istenen Redox değeridir. Sensörler ile okunan değer burada girilen set değeri ile karşılaştırılarak dozajlama yapılır. Dozajlanan Redox yükseltici sıvı (klor) havuzun istenen Redox değerinde olmasını sağlar.

RDX kısmında bulunan **SET** butonuna bir kez basılarak parametre içerisine girilir, parametreden çıkmak için ise **X** butonuna bir kez basılması gerekir. Parametre içerisine girdikten sonra yandaki gibi bir ekran görüntülenir. Buradaki değer yön butonlarıyla değiştirilir. İstenilen değer verildiğinde **V** butonu ile seçilip kaydedilir ve otomatik olarak parametreden çıkarılır.



### 3.7. RDX Kalibrasyon Parametresi

Redox sensörlerinin karakteristik yapılarından dolayı ölçüm değerleri zamanla değişiklik göstermektedir. Sensörün ölçüm değerinde oluşan değişiklik cihazın göstermiş olduğu değeri etkilemektedir. Bu nedenle sensörler belirli aralıklarla Redox değeri bilinen sıvılar ile kalibre edilmelidirler (475 mV). Bu işlemi yapabilmek için RDX Kalibrasyon parametresi kullanılır.

Redox sensörü 475 mV sıvısına daldırılır RDX kısmında bulunan **SET** butonuna 3 sn. boyunca basılarak parametre içerisine girilir, parametreden çıkmak için ise **X** butonuna bir kez basılması gerekir. Parametre içerisine girdikten sonra yandaki gibi bir ekran görüntülenir ve timer otomatik olarak başlatılır. Ekrandaki timer sıfırlanana kadar sensör sıvının içinde bırakılır. Timer sıfırlandığında Redox sensörü kalibre edilmiş olur.



### 3.8. Ayar Menüsü

Par. No	Name	Explanation	Value
P-01	Tolerans Ayarı	Ayarlanan pH SET ve RDX SET değerinden sapma miktarıdır.	0-100
P-02	Oransal Fark Ayarı	Ayarlanan pH SET ve RDX SET değerinden oransal çalışma fark ayarıdır.	0-250
P-03	Oransal Çalışma Seçimi	0: Pasif 1: Aktif	0-1
P-04	pH Dozajlama Sıvısı Seçimi	0: pH Düşürücü 1: pH Yükseltici	0-1
P-05	Sıcaklık Sensörü Seçimi	0: Pasif 1: Aktif	0-1
P-06	Cihaz Açılışı Bekleme Süresi	Cihaza enerji geldiğinde ölçüm ve kontrol öncesi bekleme süresidir. (Saniye)	0-60
P-07	Dozajlama Zaman Aşımı	Set değerine ulaşması gereken süre seçimidir. (Dakika)	0-300

Ayar menüsü; cihazın ayar parametrelerinin bulunduğu bir arayüzdür. Yapılan değişiklikler ve ayarlamalar ile havuzun optimum seviyede çalışmasına olanak sağlar.

pH kısmında bulunan **MOD** butonuna 3 sn. boyunca basılarak menü içerisine girilir, menüden çıkmak için ise **X** ya da **V** butonuna bir kez basılması gerekir. Buradaki değer yön butonlarıyla değiştirilir. İstenilen değer verildiğinde **MOD** butonu ile seçilip kaydedilir ve otomatik olarak bir sonraki parametreye geçilir.

**3.8.1. P1 - Tolerans Ayarı:** Ayarlanan pH SET ve RDX SET değerinden sapma miktarıdır. Bu değer verilmesinin sebebi ölçümdeki dalgalanmanın etkisiyle dozajlamanın oluşmamasıdır. Böylelikle daha kararlı bir sistem oluşturulmuş olur. Buradaki değer yön butonlarıyla değiştirilir. İstenilen değer verildiğinde **MOD** butonu ile seçilip kaydedilir ve otomatik olarak bir sonraki parametreye geçilir.

**3.8.2. P2 - Oransal Fark Ayarı:** Oransal çalışma; okunan değer, set değerine yaklaştıkça dozaj pompalarının çalışma süreleri azaltılarak daha yumuşak kontrol yapılması sağlanır. Örneğin; oran %100 iken dozaj pompası sürekli çalışır. %50 iken 30 saniye çalışır 30 saniye durur. %10 iken 6 saniye çalışır 54 saniye durur. Bu parametre içerisinde ayarlanan değer; oransal çalışma başlangıcının set değeriyle arasındaki birim farkıdır. Buradaki değer yön butonlarıyla değiştirilir. İstenilen değer verildiğinde **MOD** butonu ile seçilip kaydedilir ve otomatik olarak bir sonraki parametreye geçilir.

**3.8.3. P3 - Oransal Çalışma Seçimi:** Oransal çalışma; okunan değer, set değerine yaklaştıkça dozaj pompalarının çalışma süreleri azaltılarak daha yumuşak kontrol yapılması sağlanır. Örneğin; oran %100 iken dozaj pompası sürekli çalışır. %50 iken 30 saniye çalışır 30 saniye durur. %10 iken 6 saniye çalışır 54 saniye durur. Bu parametre cihazın oransal çalışma durumunun ayarlandığı parametredir. Yön butonları kullanılarak 0-1 değerleri arasında geçiş yapılır. İstenilen değer verildiğinde **MOD** butonu ile seçilip kaydedilir ve otomatik olarak bir sonraki parametreye geçilir. (0: Oransal çalışma pasif – 1: Oransal çalışma aktif)

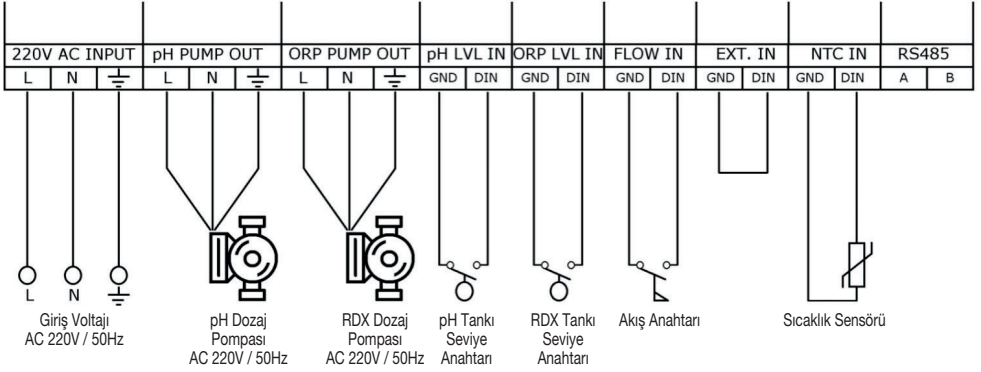
**3.8.4. P4 - pH Dozajlama Sıvısı Seçimi:** Dozajlama yapılacak olan sıvının pH düşürücü veya pH yükseltici olduğunun cihazla tanıtıldığı parametredir. Yön butonları kullanılarak 0 - 1 değerleri arasında geçiş yapılır. İstenilen değer verildiğinde **MOD** butonu ile seçilip kaydedilir ve otomatik olarak bir sonraki parametreye geçilir. (0: pH düşürücü kullanılacak - 1: pH yükseltici kullanılacak)

**3.8.5. P5 - Sıcaklık Sensör Seçimi:** Cihazda opsiyonel olarak bulunan sıcaklık sensörünün okuduğu anlık değerini ekranda gösterimi bu parametrede ayarlanır. Yön butonları kullanılarak 0 - 1 değerleri arasında geçiş yapılır. İstenilen değer verildiğinde **MOD** butonu ile seçilip kaydedilir ve otomatik olarak bir sonraki parametreye geçilir. (0: Sıcaklık ekranda gösterilmez - 1: Sıcaklık ekranda gösterilir)

**3.8.6. P6 - Cihaz Açılışı Bekleme Süresi:** Sisteme bağlı olan sensörlerin daha stabil ölçüm yapılabilmesi ve cihazın daha kararlı çalışabilmesi için cihaza ilk enerji verildiğinde belirli bir sürenin geçmesi gerekir. Gerekli olan süre bu parametre üzerinden ayarlanır. Yön butonları kullanılarak 0 - 60 değerleri arasında geçiş yapılır. Ayarlanan değer cihaza saniye cinsinden açılış gecikmesi sağlar. İstenilen değer verildiğinde **MOD** butonu ile seçilip kaydedilir ve otomatik olarak bir sonraki parametreye geçilir.

**3.8.7. P7 - Dozajlama Zaman Aşımı:** Cihazın dozajlama süresinin ayarlandığı parametredir. Ayarlanan süre boyunca okunan değer, set değerine ulaşmaz ise cihaz alarm verir. Bu özellik sayesinde sistemde dozajlama ve ölçüm ile ilgili sorunların tespiti kolaylaşır. Yön butonları kullanılarak 0-300 değerleri arasında geçiş yapılır. Ayarlanan değer cihaza dakika cinsinden dozajlama zamanı tanımlar. İstenilen değer verildiğinde **MOD** butonu ile seçilip kaydedilir ve otomatik olarak bir sonraki parametreye geçilir.

#### 4. ELEKTRONİK KARTI BAĞLANTI ŞEMASI



**AC 220 INPUT:** 220 - 230 VAC / 50 Hz Giriş klemensidir. Sirkülasyon pompası çalıştığında enerji gelecek şekilde bağlantı yapılmalıdır. Cihazın enerjisinin sağlandığı giriştir. L fazı Nötr ve koruyucu topraklama hattı bağlanır.

**pH PUMP OUT:** pH sıvısının dozaj pompası bağlantı klemensidir. 220 - 230 VAC çıkış verir. Ayarlanan değere göre cihaz dozaj pompasını enerjilendirerek havuzun uygun pH değerinde kalmasını sağlar.

**ORP-RDX (Klor) PUMP OUT:** Redox yükseltici (Klor) sıvısının dozaj pompası bağlantı klemensidir. 220 - 230 VAC çıkış verir. Ayarlanan değere göre cihaz dozaj pompasını enerjilendirerek havuzun uygun Redox (Klor) değerinde kalmasını sağlar.

**pH LVL IN:** pH sıvısı tankının seviye şamandırası bağlantı klemensidir. Tank içerisinde sıvı olduğunda şamandıra yukarı kalkar (anahtar kapalı devre), sıvı olmadığında ise şamandıra aşağı düşer (anahtar açık devre). Böylece tank içerisindeki sıvının durumunu şamandıranın hareketi ile algılanmış olur.

**ORP-RDX (Chlorine) LVL IN:** Redox yükseltici (Klor) sıvısı tankının seviye şamandırası bağlantı klemensidir. Tank içerisinde sıvı olduğunda şamandıra yukarı kalkar (anahtar kapalı devre), sıvı olmadığında ise şamandıra aşağı düşer (anahtar açık devre). Böylece tank içerisindeki sıvının durumunu şamandıranın hareketi ile algılanmış olur.

**FLOW IN:** Su akış sensörünün bağlantı klemensidir.

**EXT. IN:** Harici dijital giriş klemensidir.

**NTC IN:** Havuz suyu sıcaklık sensörünün (PT100) bağlantı klemensidir. Sensörden okunan değer ana ekranda gösterilmektedir.

**RS485:** RS485 haberleşme hattının bağlantı klemensidir. Yalnızca GEMAŞ üretimi bilgi panolarıyla çalışmak üzere tasarlanmıştır.





- We reserve to change all of the articles or contents of this document, without prior notice.
- Firmamız bu belgenin içeriğinde haber vermeksizin deęişlikler yapabilir.