



**SPOT 09 MODEL  
UNDER WATER LIGHTS  
TECHNICAL DATA SHEET**

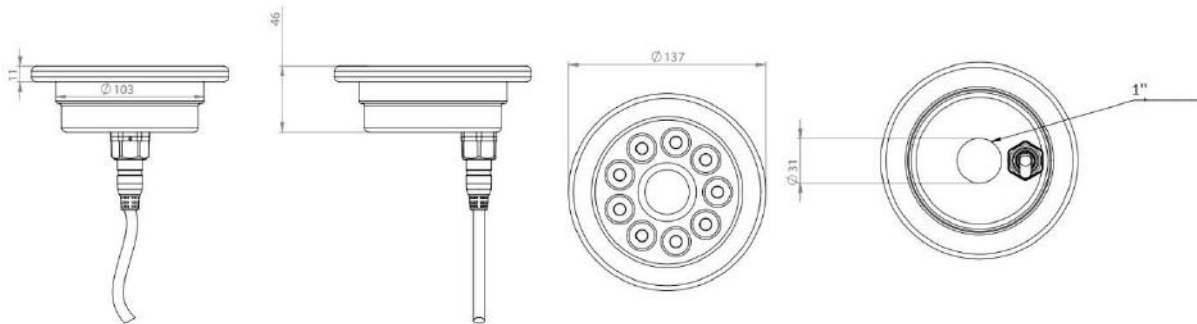


*"Pool Technology"*

**Introduction:**

"SPOT 09-K". Underwater light combined with fountain nozzles. 304 quality stainless steel body and single union. Also nozzle (Ø10 mm) bottom connection is with swivel system and regulation valve (1/2" or 1"). 15° light angle with Power LED. 13 different light models are available and controlled by a Central Control Panel. With 50 cm cable.

**Dimensions:**



**Technical Paratmeters:**

Colour	Led Quantity	Voltage (V)	Power Consumption (W)	Light Temperature (Kelvin)	Cable Length (cm)	Cable Wire	Light Angle
Warm White	9	12	9	2650	50	2	140°

**Optional 15°, 30°, 45° and 60° light angles**