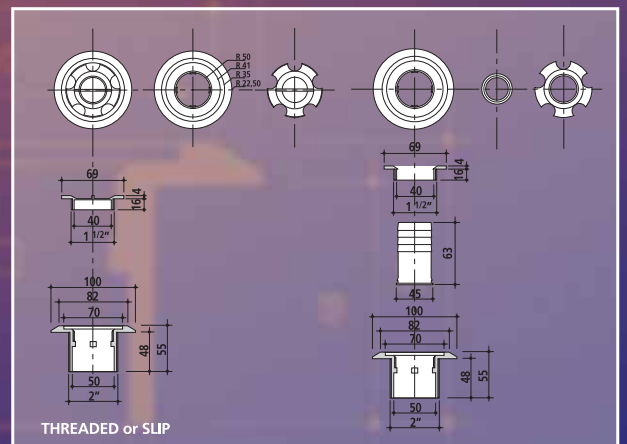
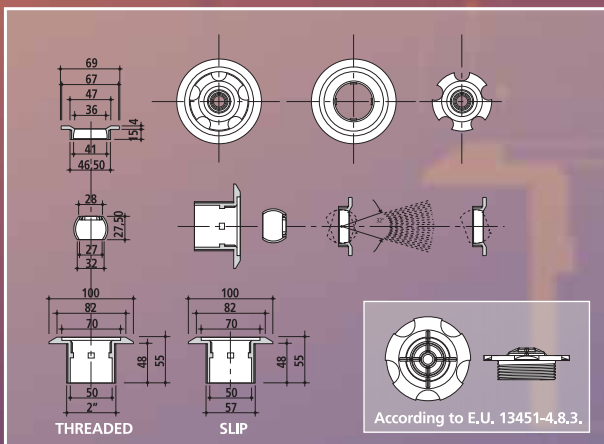


# *Return Inlets*



# Wall Inlets

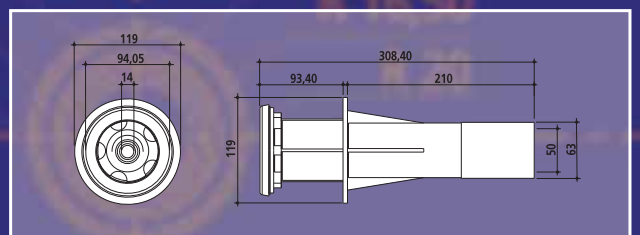
- Wall inlets to send the filtered and conditioned water back to the pool with adjustable ball for alternative discharges. Optional protective butterfly according to E.U. 13451-4.8.3. Suction inlet for the vacuum cleaner connection. Both are injected of white ABS plastic.



# Wall Conduit - Inlet

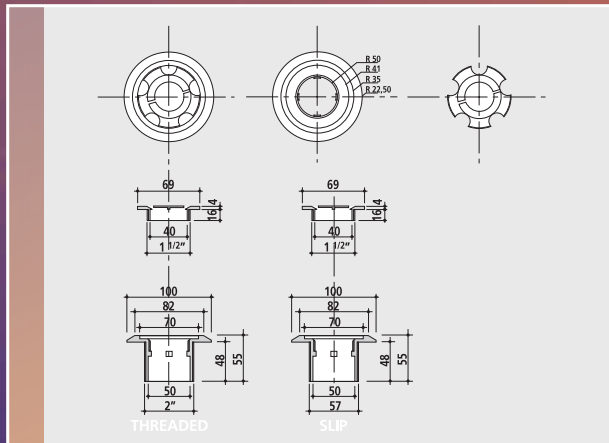
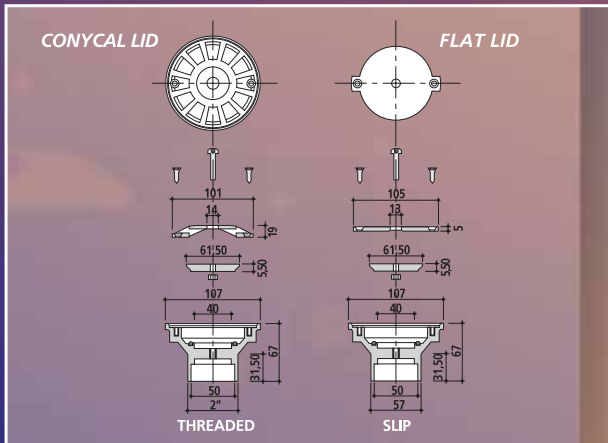


- Specially designed for concrete-shell liner pools. Injected of white ABS plastic with adjustable ball for alternative discharges. Complete with flange, gaskets, stainless steel screws and front cover. Flange connections could be with brass cavities or plastic nests.



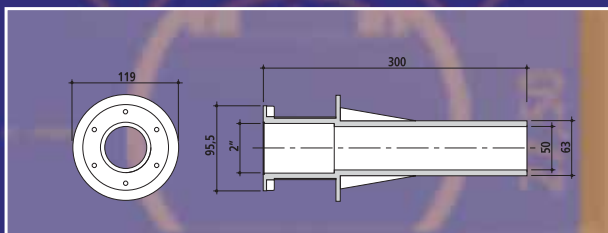
# Floor Inlets

- Injected of white ABS plastic, 2" male threaded, Ø 50 mm internal slip connection. Discharge can be regulated by means of an inner lid which can be screwed up and down.
- Made in ABS plastic for constant discharge. Distributes water with an angel of 45°.



# Wall Conduit

- Injected of white ABS plastic. Pipe connection side is Ø 63 mm externally and Ø 50 mm internally. Overall length is 30 cm. Optional protective caps.

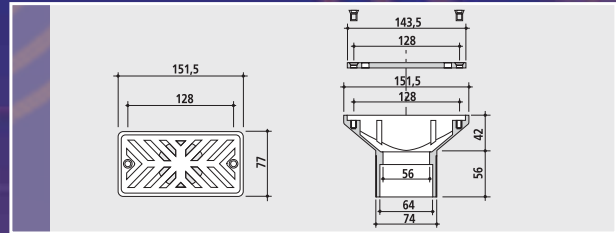


27.50

# Gutter Drain



- Made of white ABS plastic. Rectangular grid fixed by means of stainless steel screws. 2 1/2" male threaded, Ø 63 mm slip connection internally. Can also be used as wall suction.



# Inlets and Main Drains, Stainless Steel



- All of the in-pool elements including skimmer frames as well as the underwater lights can be supplied in stainless steel.

DISTRIBUTOR: