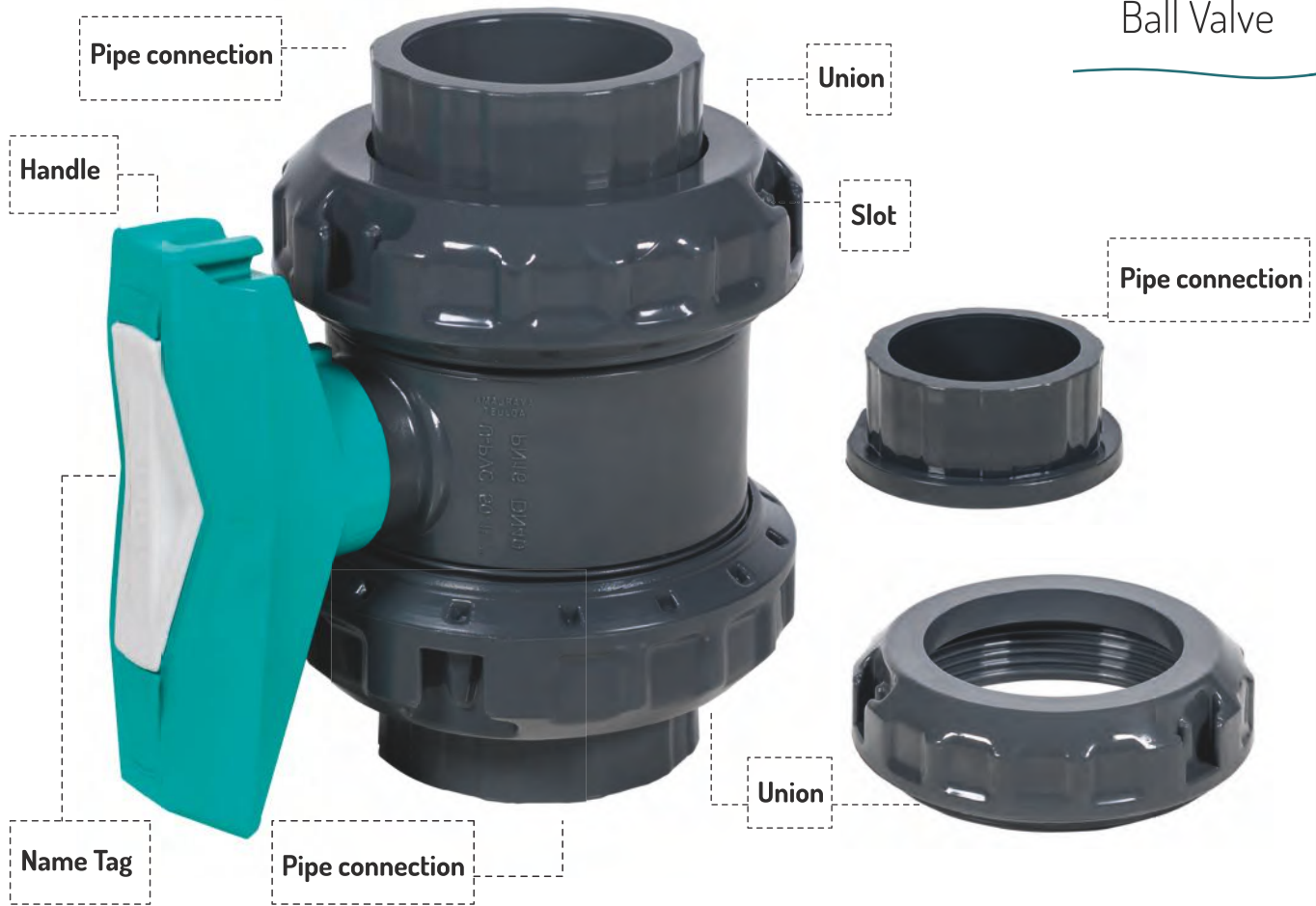


Ball Valve

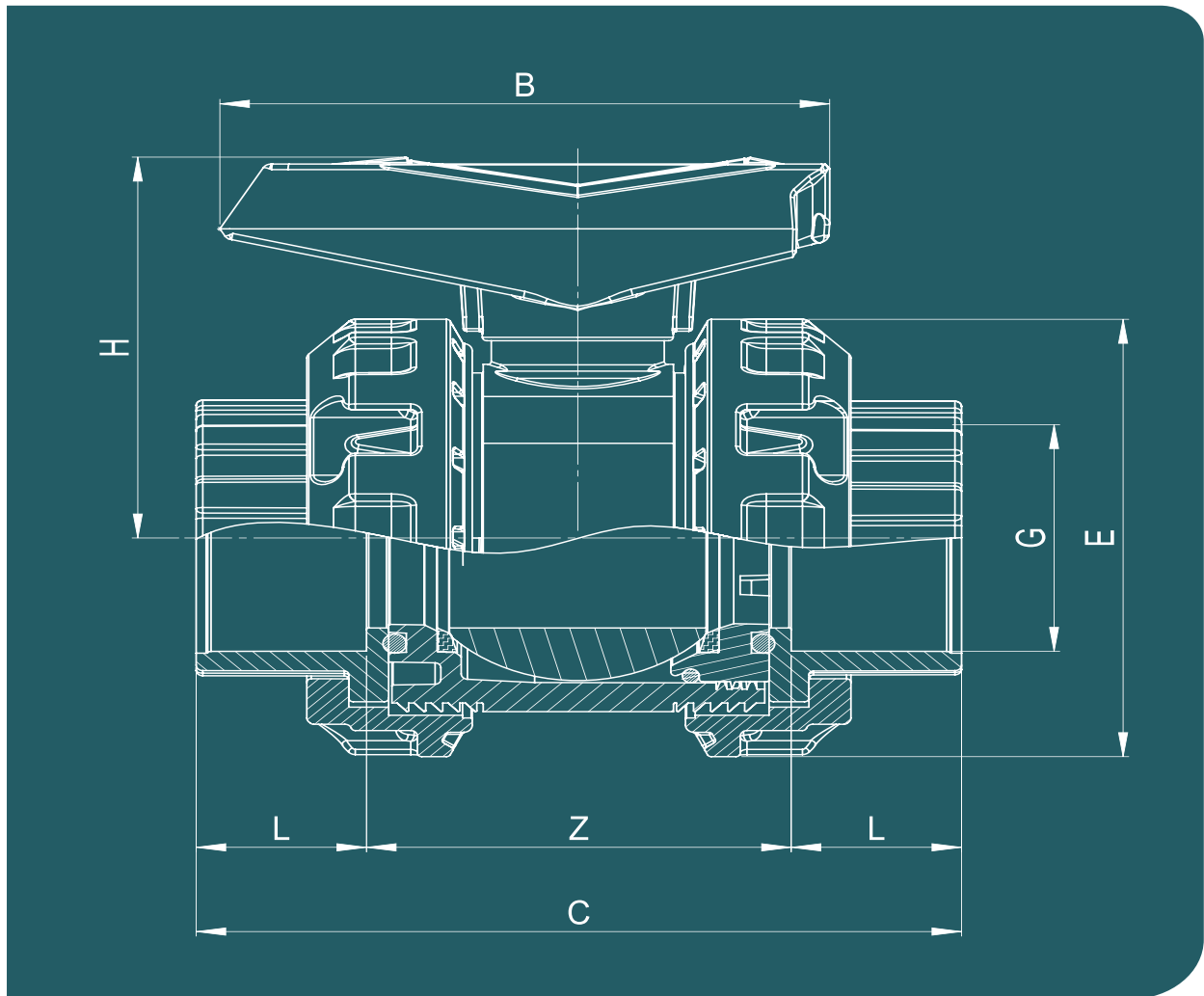


Slip connection.
Adjustable ball pressure
as well as patented union
screwing with handle.
HDPE seats.
EPDM o-rings. PN16.

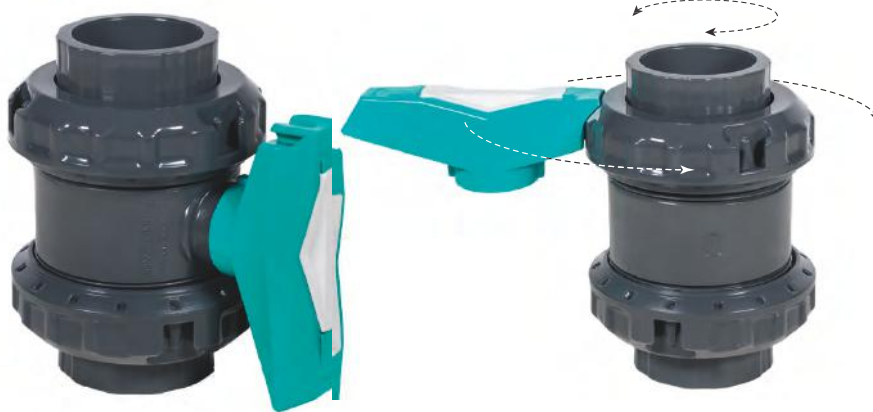
| mm / inch | B | H | G | E | L | Z | C | PN | Box | Master |
|-------------|-----|-----|-------------|-----|----|-----|-----|----|-----|--------|
| 20 / 1/2" | 80 | 52 | 36 / 21,3 | 48 | 17 | 62 | 103 | 16 | 12 | D |
| 25 / 3/4" | 89 | 61 | 25 / 26,7 | 56 | 20 | 71 | 117 | 16 | 12 | D |
| 32 / 1" | 99 | 64 | 31 / 33,4 | 66 | 22 | 76 | 130 | 16 | 12 | D |
| 40 / 1-1/4" | 114 | 76 | 40 / 42,2 | 81 | 25 | 87 | 148 | 16 | 12 | D |
| 50 / 1-1/2" | 116 | 90 | 50 / 48,3 | 100 | 32 | 71 | 140 | 16 | 6 | E |
| 63 / 2" | 138 | 106 | 63 / 60,3 | 122 | 39 | 90 | 172 | 16 | 6 | F |
| 75 / 2-1/2" | 161 | 113 | 75 / 73 | 143 | 44 | 101 | 192 | 16 | 2 | G |
| 90 / 3" | 161 | 113 | 90 / 88,9 | 143 | 44 | 101 | 192 | 16 | 2 | G |
| 110 / 4" | 248 | 171 | 110 / 114,3 | 226 | 61 | 157 | 284 | 16 | 1 | H |

Threaded connection.
Adjustable ball pressure
as well as patented union
screwing with handle.
HDPE seats.
EPDM o-rings. PN16.

| D | B | H | G | E | L | Z | C | PN | Box | Master |
|-----|-----|-----|-----|-----|----|-----|-----|----|-----|--------|
| 20 | 80 | 52 | 36 | 48 | 17 | 62 | 103 | 16 | 12 | D |
| 25 | 89 | 61 | 25 | 56 | 20 | 71 | 117 | 16 | 12 | D |
| 32 | 99 | 64 | 31 | 66 | 22 | 76 | 130 | 16 | 12 | D |
| 40 | 114 | 76 | 40 | 81 | 25 | 87 | 148 | 16 | 12 | D |
| 50 | 116 | 90 | 50 | 100 | 32 | 71 | 140 | 16 | 6 | E |
| 63 | 138 | 106 | 63 | 122 | 39 | 90 | 172 | 16 | 6 | F |
| 75 | 161 | 113 | 75 | 143 | 44 | 101 | 192 | 16 | 2 | G |
| 90 | 161 | 113 | 90 | 143 | 44 | 101 | 192 | 16 | 2 | G |
| 110 | 248 | 171 | 110 | 226 | 61 | 157 | 284 | 16 | 1 | H |



Pull out the Handle.

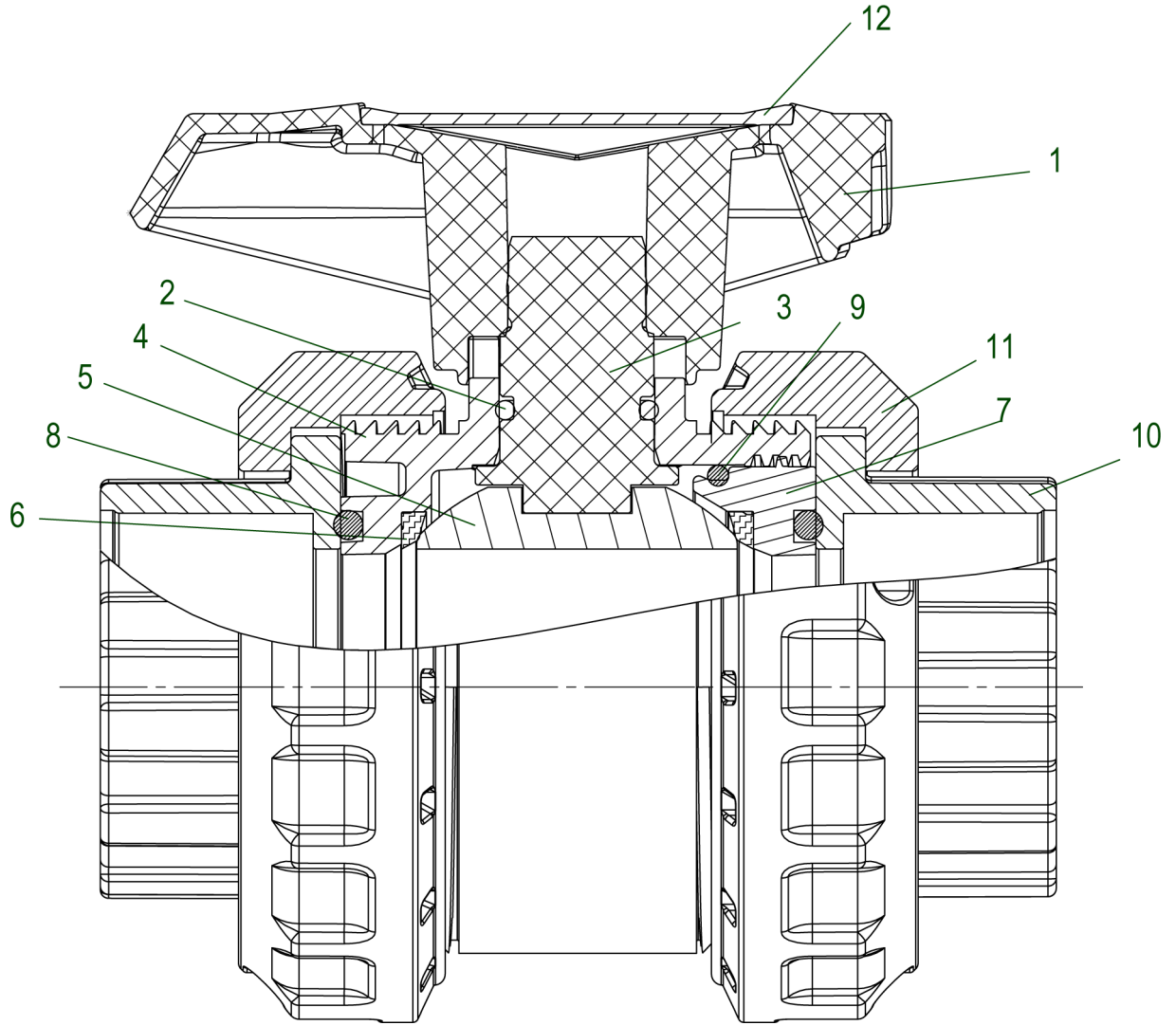


Place the Handle to Slot and turn the Union by Handle.



Take out the Union and the Pipe Connection, then place the Handle and turn to adjust ball pressure.

UPVC VALVES



| - | Raw Material | Spare Part | Quantity |
|----|--------------|--|----------|
| 01 | ABS | Ø50 PVC BALL VALVE HANDLE | 1 unit |
| 02 | EPDM | Ø50 PVC BALL VALVE HANDLE PIM O-RING | 2 unit |
| 03 | UPVC | Ø50 PVC BALL VALVE HANDLE PIM | 1 unit |
| 04 | UPVC | Ø50 PVC BALL VALVE - BODY | 1 unit |
| 05 | UPVC | Ø50 PVC BALL VALVE - BALL | 1 unit |
| 06 | TEFLON | Ø50 PVC BALL VALVE - PLASTIC SEAL | 2 unit |
| 07 | UPVC | Ø50 PVC BALL VALVE - BALL PRESSURE PART | 1 unit |
| 08 | EPDM | Ø50 PVC BALL VALVE - BODY O-RING | 2 unit |
| 09 | EPDM | Ø50 PVC BALL VALVE - BALL PRESSURE PART O-RING | 2 unit |
| 10 | UPVC | Ø50 PVC BALL VALVE PIPE CONNECTION PART -SLIP | 2 unit |
| 11 | UPVC | Ø50 PVC BALL VALVE NUT | 2 unit |
| 12 | ABS | Ø50 PVC BALL VALVE PLUG | 1 unit |