

FLOODER[®]

Self - Priming Centrifugal Pump for Pools



UNICERT
DIN EN ISO 9001:2000



" FLOODER " SELF-PRIMING CENTRIFUGAL PUMP FOR POOLS



The Flooder Pumps are precision, injection - moulded units, using a temperature and corrosion resistant fibre glass low density plastic. The difference between FLOODER and other pumps lies in their incomparable performance.

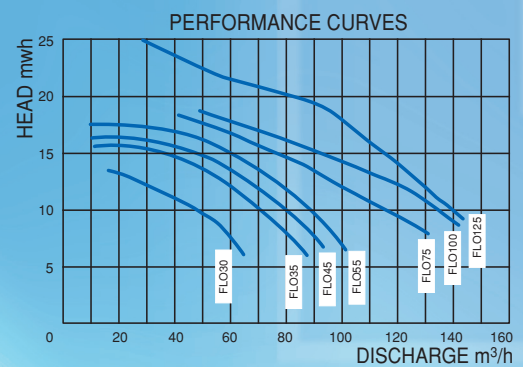
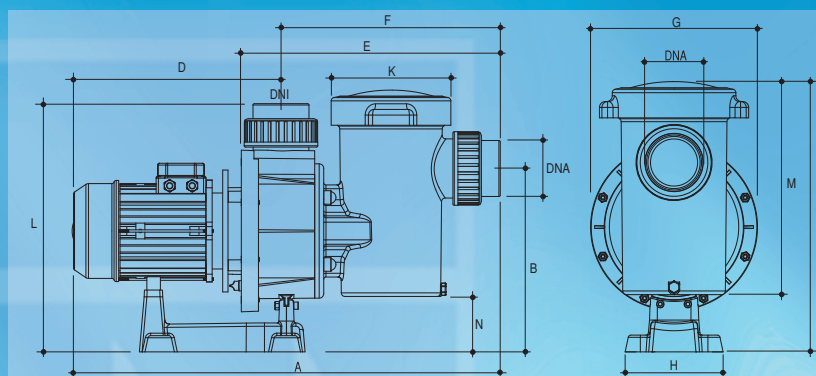
- Equipped with an IP-55 totally enclosed motor, designed for continuous running. Particularly silent and resistant to moisture. Elevated support with antivibration pad facilitates extra protection against flood and vibration.
- The excellent design of the rotating elements and pump chamber ensures maximum water flow without turbulence which is the reason of exceptionally good performance curves.
- Rustproof ceramic and high duty carbon mechanical seal has a heat sink which allows cooler running, longer life and less wear.
- Motor and pump are separated in such a way that any contact between the electrical components and pumped water is virtually impossible.
- Unions at both inlet and outlet facilitates easy removal of the pump from the system for service purposes.
- High capacity prefilter of 20 l.

Characteristics

Monoblock pump body, made in 30 % fiberglass reinforced polypropylene for protection against corrosive water. Housed inside is a PREFILTERING BASKET that has a large filtering surface and is easy to remove and to clean. High quality (AISI 316) steel shaft and mechanical seal. Noryl ultrasound soldered impeller.

Motor

IP 55 protected. 230/400 V - 50 Hz. 2850 rpm.
Max. water temperature : 60°C
Max. pressure: 2,5 bar



TYPE	HP	AMPERES		HEAD mwh						
		III		6	8	10	12	14	16	17
		230 V	380 V	DISCHARGE m ³ /h						
0111FLO30M	3.0	12.3	-	65.00	56.00	47.00	25.00	-	-	-
0111FLO30	3.0	7.8	4.5	65.00	56.00	47.00	25.00	-	-	-
0111FLO35M	3.5	12.3	-	86.00	78.00	70.00	60.00	45.00	12.00	-
0111FLO35	3.5	7.8	4.5	86.00	78.00	70.00	60.00	45.00	12.00	-
0111FLO45	4.5	10.9	6.3	94.00	88.00	78.00	68.00	55.00	24.00	-

TYPE	HP	AMPERES		HEAD mwh								
		III		8	10	11	12	13	14	16	18	20
		400 V	700 V	DISCHARGE m ³ /h								
0111FLO55	5.5	8.2	4.7	95.00	88.00	83.00	78.00	73.00	68.00	50.00	-	-
0111FLO75	7.5	11.4	6.6	130.60	121.00	113.00	104.50	96.00	87.00	65.50	42.50	-
0111FLO100	10	14.5	8.4	145.00	136.60	131.00	127.00	116.00	105.00	74.00	49.50	17.40
0111FLO125	12.5	14.5	8.4	148.00	137.00	134.00	132.00	128.00	120.00	109.00	98.00	84.80

TYPE	DIMENSIONS (mm)														Net Weight (kg)	Packing W. (kg)
	DNA	DNI	A	K	B	C	D	E	F	G	H	L	M	N		
0111FLO30M/30	4"	4"	880	265	406	580	395	573	485	358	210	550	457	122	30.500	32.000
0111FLO35M/35	4"	4"	880	265	406	580	395	573	485	358	210	550	457	122	30.750	32.250
0111FLO45	4"	4"	920	265	406	580	435	573	485	358	210	550	457	122	33.850	35.350
0111FLO55	4"	4"	945	265	406	580	460	573	485	358	210	550	457	122	40.600	42.100
0111FLO75	4"	4"	945	265	406	580	460	573	485	358	210	550	457	122	48.450	49.950
0111FLO100	4"	4"	985	265	406	580	500	573	485	358	210	550	457	122	54.600	56.100
0111FLO125	4"	4"	985	265	406	580	500	573	485	358	210	550	457	122	55.000	56.500

TYPE	PACKING DIM. (mm)
0111FLO30M/30 - 0111FLO35M/35 - 0111FLO45 0111FLO55 - 0111FLO75 - 0111FLO100 - 0111FLO125	930x390x650

