

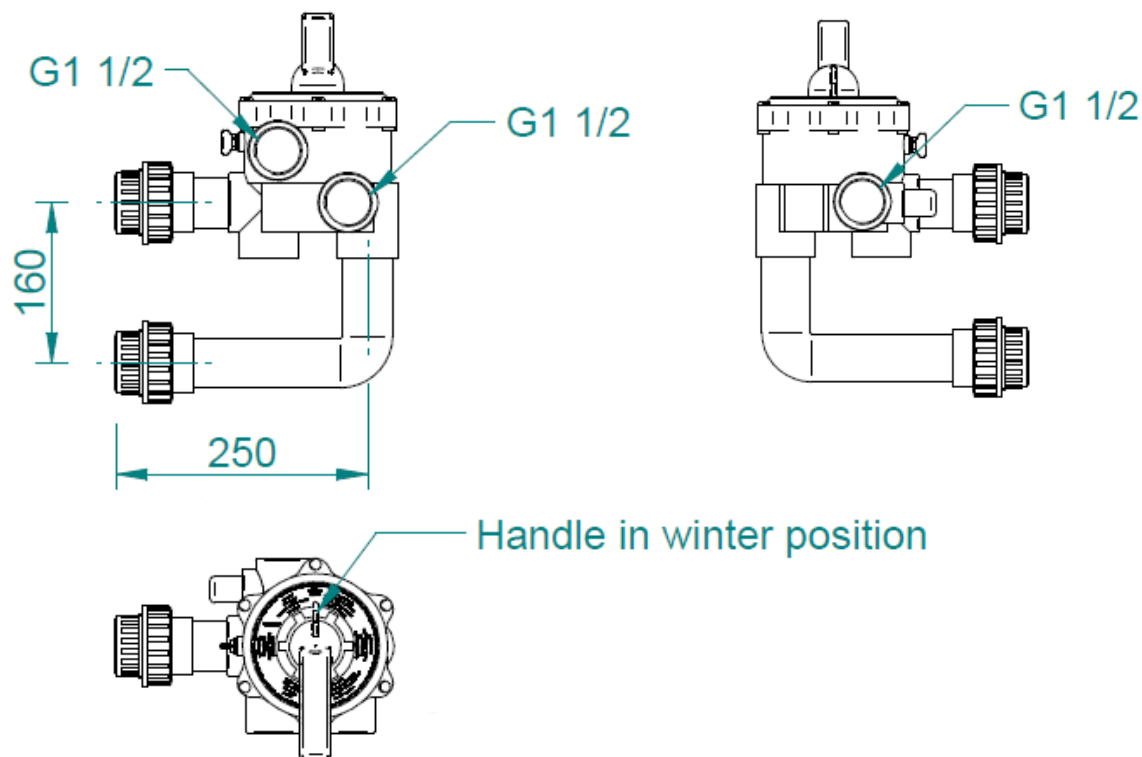
GEMAS VALVEX 03 SIDE MOUNTED MULTIPORT VALVE / 02400T



Product Details: A six-way valve used to fulfill different functions in the hydraulic circuit: backwashing, filtration, emptying, shut off, rinsing, and circulation of the filter. Its functional design is made for 1 1/2 " threaded pipe connections and provides perfect closure and easy operation. The design and material selection of the different multiport valve parts are based on minimum friction and resistance, as well as maximum strength and water quality. Body, cover and handle are made of ABS, rotation disc in polypropylene, gaskets in EPDM and metallic components in S.S.

Technical Characteristic

DESCRIPTION	MODEL
1 1/2 " Threaded connections	02400T



All dimensions are in mm.