



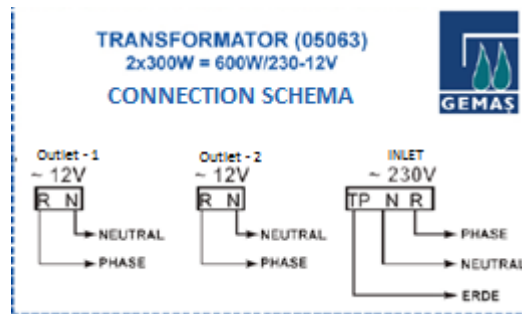
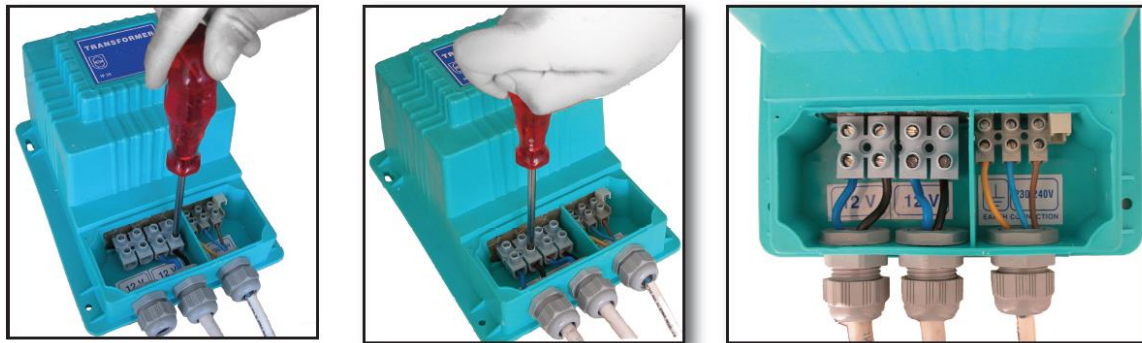
GEMAS 2x300W = 600W / 230-12V TRANSFORMER INSTRUCTION MANUAL

Attention: The installation of transformer must be done by reputable electrician

230 Volt Glass Fuse Connection



12 Volt Connection



VOLTAGE DROP CHART IN VOLTS FOR 600W/12V TRANSFORMERS

		CABLE DISTANCE FROM TRANSFORMER TO UW LIGHT								
		9	12	15	18	21	24	27	30	51
CABLE TYPE	2x4	-1,5V	-2V	-3V	-	-	-	-	-	-
	2x6	-	-1,5V	-1,7V	-2V	-2,5V	-2,7V	-3,1V	-3,5V	-5,2V