

SUBMERSIBLE PUMPS

FOR FOUNTAINS

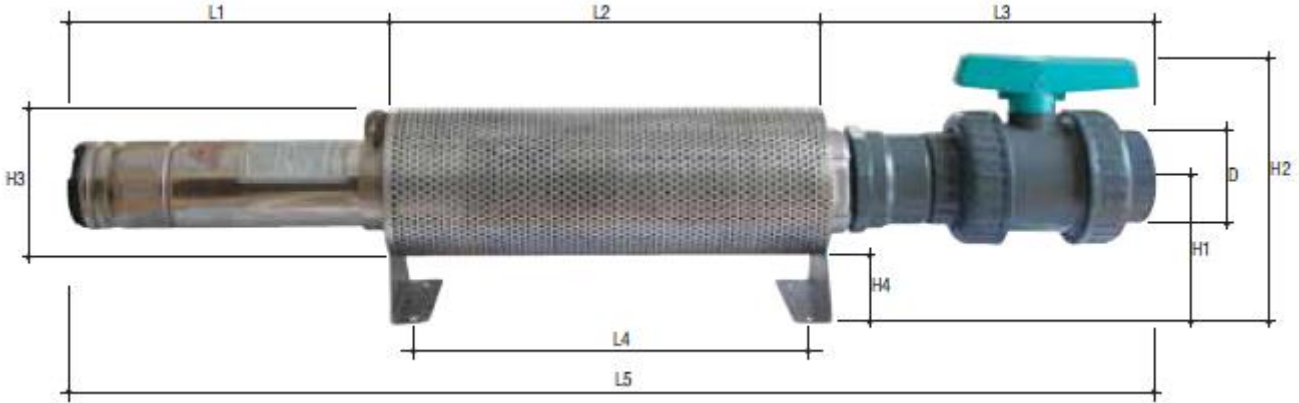
Hang High pressure - High Flow Submersible deepwell pumps: Such pumps with below technical specs are made of stainless steel (AISI 304) including its fan being capable of working long time by minimum maintenance thanks to the stainless steel pre-filter. All pumps are complete with a ball or butterfly valve suitable to their connection diameter. Low profile of pumps provide usage in shallow ornamental pools. Easy to be fixed to side nozzle collectors and nozzles saving significantly from laborious and expensive pipe installation. It's vitally important to take precautions in control panels of pumps against electric leakage. All pump models are manufactured upon customer's order. Delivery time is approximately 15 days.



Technical Specifications

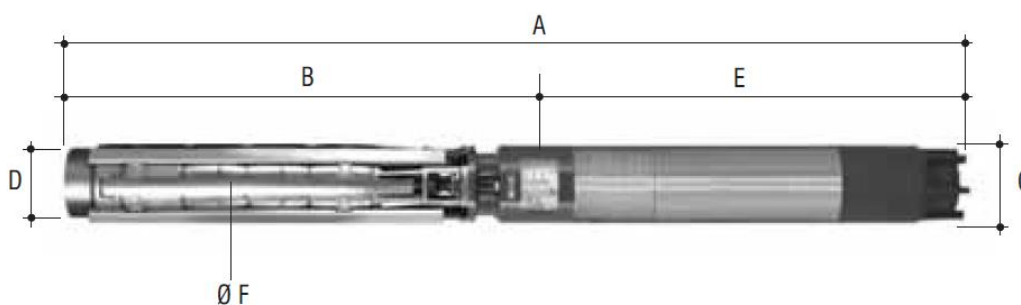
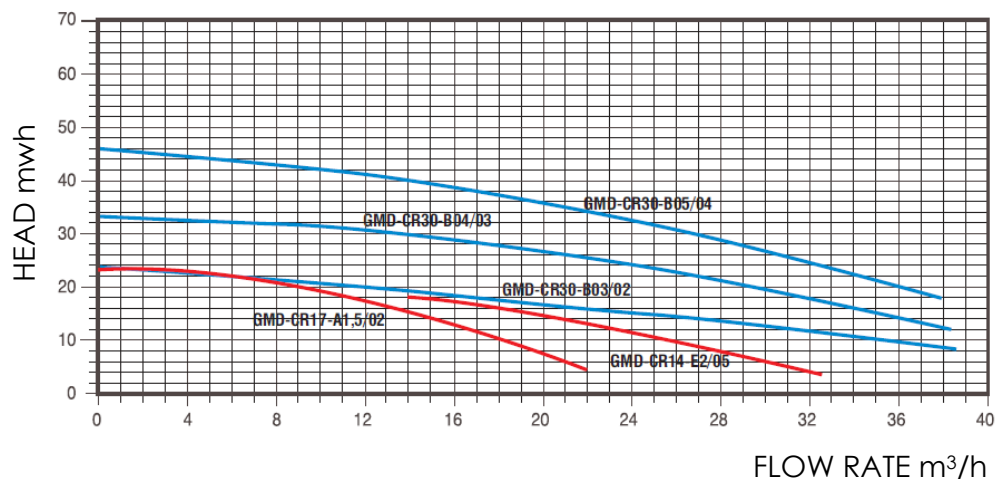
Step	Stainless Steel (AISI 304), Optional (AISI 316)
Fan	Stainless Steel (AISI 304), Optional (AISI 316)
Pump Shaft	X22 CrNi 17
Step Rubber	Nitrile Rubber
Filter	Stainless Steel (AISI 304), Optional (AISI 316)
Pump suction adapter	Stainless Steel (AISI 304), Optional (AISI 316)
Pump Output Connection	Stainless Steel (AISI 304), Optional (AISI 316)
Throttle	Stainless Steel (AISI 304), Optional (AISI 316)
Max. Sand Amount	50 gr/m ³
Max. departure p	20 (kal/s)
Frequency	50 Hz
Max. working noise	70 dB <
Class of motor protection	IP 68
Motor Body	Stainless Steel (AISI 304)
Max Water Temperature	40°C
Motor Rotation Direction	Anti-clockwise direction
Speed	2900 speed/min

Product Information:



PUMP TYPE 1	DIMENSIONS (MM)									
	Ø D	L ₁	L ₂	L ₃	L ₄	L ₅	H ₁	H ₂	H ₃	H ₄
GMD-CR14-E2/05	2"	435	500	183	470	1168	200	301	200	100
GMD-CR17-A1,5/02	2"	289	500	183	470	1022	200	301	200	100
GMD-CR30-B03/02	3"	405	500	264	470	1219	200	337	200	100
GMD-CR30-B04/03	3"	565	600	264	570	1379	200	337	200	100
GMD-CR30-B05/04	3"	530	700	264	670	1544	200	337	200	100
GMD-CR46-C04/02	4"	399	600	414	570	1463	200	350	200	100
GMD-CR46-C07/03	4"	540	600	414	570	1604	250	400	300	100
GMD-CR60-D03/01	4"	425	500	414	470	1289	200	350	200	100
GMD-CR77-E07/01	5"	482	600	380	570	1512	250	480	300	100
GMD-CR77-E10/02	5"	560	700	380	670	1690	250	480	300	100
GMD-CR135-G10/01-1	6"	536	700	408	670	1694	250	498	300	100
GMD-CR135-G10/01	6"	516	700	408	670	1674	250	498	300	100
GMD-CR135-G25/02-1	6"	712	900	408	870	2100	250	498	300	100

PERFORMANCE CURVES



TYPE	STEP NUMBER	MOTOR		AMPERES		HEAD mwh											
				II	III	4	6	8	10	12	14	16	17	18	20	21	23
		HP	kW	220 V	380 V	FLOW m³/h											
GMD-CR14-E2/05	5	2	1.5	11.50	4.00	32.0	31.0	29.0	28.0	25.0	23.0	18.0	16.5	14.0	-	-	-
GMD-CR17-A1,5/02	2	1.5	1.1	-	3.00	-	-	19.8	18.0	16.2	14.4	13.5	12.6	10.8	9.0	7.2	-
GMD-CR30-B03/02	2	3	2.2	-	5.00	-	-	38.5	36.0	31.0	28.8	22.0	21.6	18.0	14.4	10.8	-

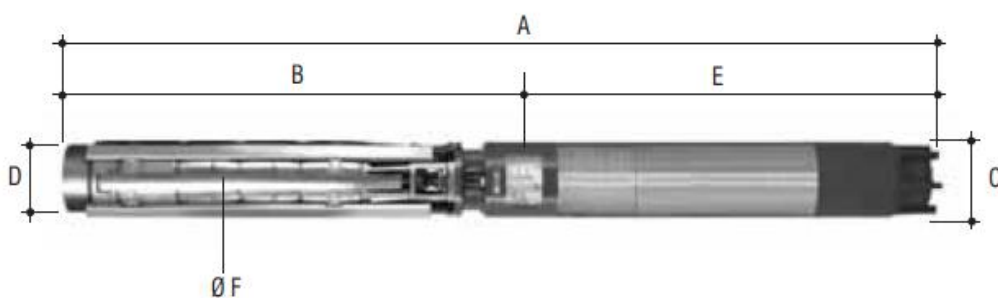
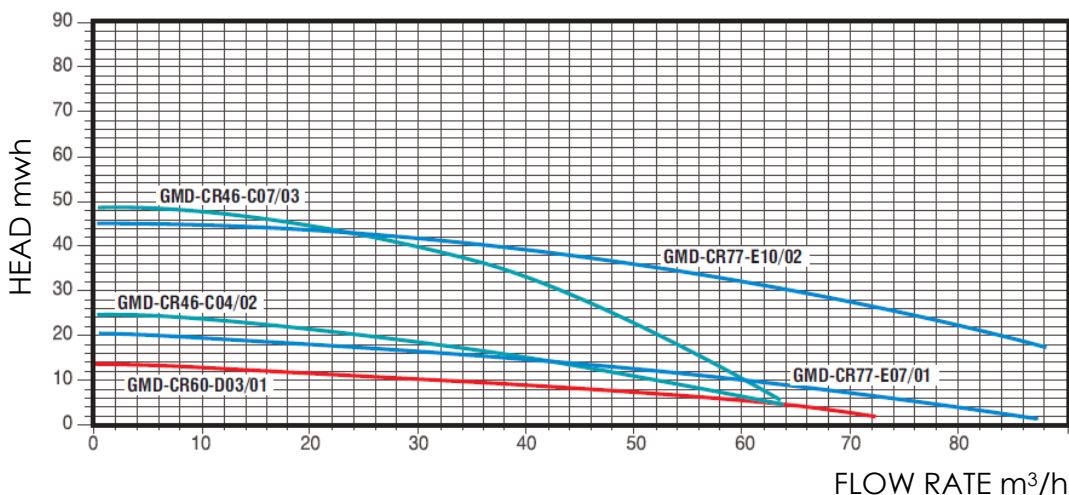
TYPE	STEP NUMBER	MOTOR		AMPERES		HEAD mwh									
				II	III	14	18	21	24	26	28	29	31	32	34
		HP	kW	220 V	380 V	FLOW m³/h									
GMD-CR30-B04/03	3	4	3	-	7.0	36.0	32.4	28.8	25.2	21.6	18.0	14.4	10.8	7.2	-

TYPE	STEP NUMBER	MOTOR		AMPERES		HEAD mwh									
				II	III	20	25	28	32	34	37	39	41	43	45
		HP	kW	220 V	380 V	FLOW m³/h									
GMD-CR30-B05/04	4	5.5	4	-	9.0	36.0	32.4	28.8	25.2	21.6	18.0	14.4	10.8	7.2	-

TYPE	MOTOR TYPE	VOLTAGE (V)	DIMENSIONS (mm)						WEIGHT (Kg)		
			A	B	Ø C	D	E	Ø F	Pump	Motor	Total Weight
GMD-CR14-E2/05M	G095MC/02-M	220	985	510	95	2" *11 diş	475	96	6,000	14,000	20,000
GMD-CR14-E2/05	G095MC/02-T	380	955	510	95	2" *11 diş	445	96	6,000	12,000	18,000
GMD-CR17-A1,5/02	G095MC/1,5-T	380	839	414	95	3" *11 diş	415	134	6,100	11,000	17,100
GMD-CR30-B03/02	G095MC/03-T	380	955	480	95	3" *11 diş	475	135	6,600	15,000	21,600
GMD-CR30-B04/03	G 095MC/04-T	380	1115	575	95	3" *11 diş	540	135	8,700	18,000	26,400
GMD-CR30-B05/04	G 095MC/05-T	380	1280	670	95	3" *11 diş	610	135	10,800	20,000	30,800

Description	Code
GMD-CR14-E2/05M - 2 HP Mono.	1631201M
GMD-CR14-E2/05 - 2 HP Tri.	1631201
GMD-CR17-A1,5/02 - 1,5 HP Tri.	1631211
GMD-CR30-B03/02 - 3 HP Tri.	1631224
GMD-CR30-B04/03 - 4 HP Tri.	1631225
GMD-CR30-B05/04 - 5,5 HP Tri.	1631223

PERFORMANCE CURVES



TYPE	STEP NUMBER	MOTOR		AMPERES		HEAD mwh											
				II	III	4	5	9	10	12	15	16	18	19	20	22	25
		HP	kW	220 V	380 V	FLOW m³/h											
GMD-CR46-C04/02	2	4	3	-	5.00	-	-	54.0	52.0	48.0	43.2	39.6	36.0	26.0	28.8	18.0	-
GMD-CR60-D03/01	1	3	2.2	-	5.80	64.8	61.2	46.8	43.2	18.0	-	-	-	-	-	-	-
GMD-CR77-E07/01	1	7.5	5.5	-	12.00	-	79.2	68.4	62.0	61.2	54.0	36.0	24.0	18.0	-	-	-

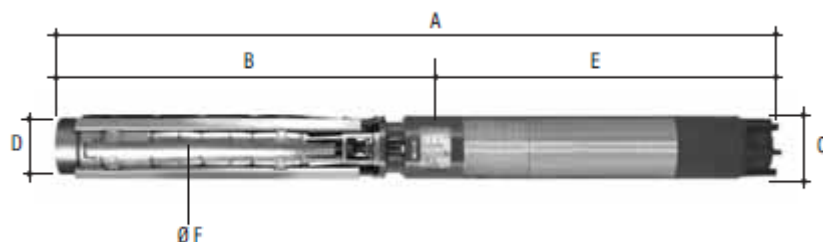
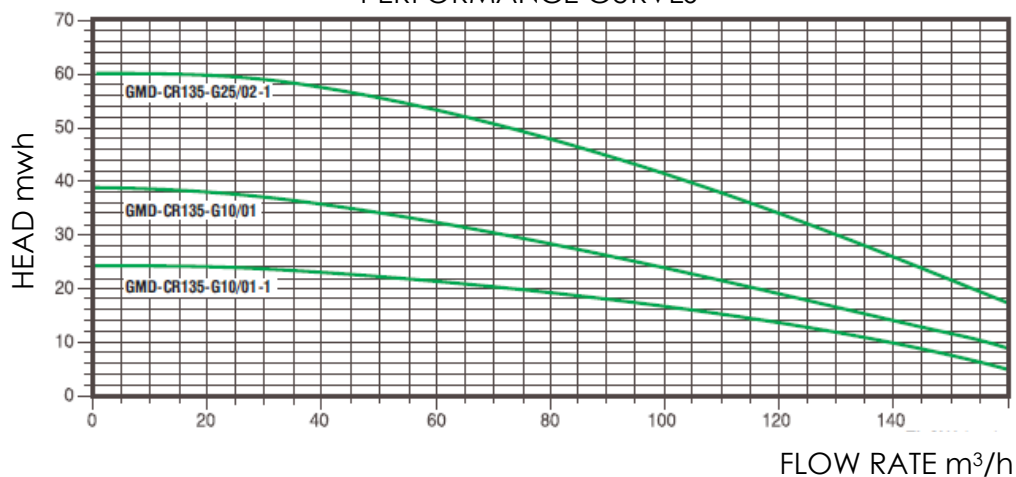
TYPE	STEP NUMBER	MOTOR		AMPERES		HEAD mwh								
				II	III	17	24	27	30	33	36	40	45	48
		HP	kW	220 V	380 V	FLOW m³/h								
GMD-CR46-C07/03	3	7.5	5.5	-	7.0	54.0	50.5	46.8	43.2	39.6	36.0	28.8	18.0	-

TYPE	STEP NUMBER	MOTOR		AMPERES		HEAD mwh									
				II	III	23	27	28	29	30	33	35	42	44	47
		HP	kW	220 V	380 V	FLOW m³/h									
GMD-CR77-E10/02	2	10.0	7.5	-	18.0	79.2	72.0	68.4	64.8	61.2	57.6	54.0	36.0	18.0	-

TYPE	MOTOR TYPE	VOLTAGE (V)	DIMENSIONS (mm)						WEIGHT (Kg)		
			A	B	Ø C	D	E	Ø F	Pump	Motor	Total Weight
GMD-CR46-C04/02	G 095MC/04	380	1049	509	95	3"-4" *11 diş	540	145	8.65	16.50	25.15
GMD-CR46-C07/03	G 145MC/07	380	1190	620	145	3"-4" *11 diş	570	145	11.50	42.00	53.50
GMD-CR60-D03/01	G0 95MC/03-T	380	875	400	95	2"-4" *11 diş	475	145	6.20	15.00	21.20
GMD-CR77-E07/01	G 145MC/07	380	1132	562	145	5" *11 diş	570	171	19.00	42.00	61.00
GMD-CR77-E10/02	G 145MC/10	380	1310	690	145	5" *11 diş	620	171	23.00	47.00	70.00

Description	Code
GMD-CR46-C04/02 - 4 HP Tri.	1631231
GMD-CR60-D03/01 - 3 HP Tri.	1631241
GMD-CR77-E07/01 - 7,5 HP Tri.	1631251
GMD-CR46-C07/03 - 7,5 HP Tri.	1631232
GMD-CR77-E10/02 - 10 HP Tri.	1631252

PERFORMANCE CURVES



TYPE	STEP NUMBER	MOTOR		AMPERES		HEAD mwh								
				II	III	7	8	13	16	17	18	19	23	24
		HP	kW	220 V	380 V	FLOW m³/h								
GMD-CR135-G10/01-1	1	10	7.5	-	16.0	151.2	144.0	126.0	108.0	90.0	72.0	54.0	36.0	-

TYPE	STEP NUMBER	MOTOR		AMPERES		HEAD mwh								
				II	III	11	17	20	22	24	27	28	36	39
		HP	kW	220 V	380 V	FLOW m³/h								
GMD-CR135-G10/01	1	15	11	-	23.5	151.2	144.0	126.0	108.0	90.0	72.0	54.0	36.0	-

TYPE	STEP NUMBER	MOTOR		AMPERES		HEAD mwh								
				II	III	21	26	32	39	43	47	50	58	59
		HP	kW	220 V	380 V	FLOW m³/h								
GMD-CR135-G25/02-1	2	25	18.5	-	40	151.2	144.0	126.0	108.0	90.0	72.0	54.0	36.0	-

TYPE	MOTOR TYPE	VOLTAGE (V)	DIMENSIONS (mm)						WEIGHT (Kg)		
			A	B	Ø C	D	E	Ø F	Pump	Motor	Total Weight
GMD-CR135-G10/01-1	G 145MC/10	380	1286	666	145	6" *11 diş	620	210	3.00	47.00	78.00
GMD-CR135-G15/01	G 145MC/15	380	1366	666	145	6" *11 diş	700	210	31.00	58.00	89.00
GMD-CR135-G25/02-1	G 145MC/25	380	1692	822	145	6" *11 diş	870	210	38.00	76.00	114.00

Description	Code
GMD-CR135-G10/01-1 -10 HP Tri.	1631261
GMD-CR135-G15/01-15 HP Tri.	1631262
GMD-CR135-G25/02-1 -25 HP Tri.	1631263



"Pool Technology"