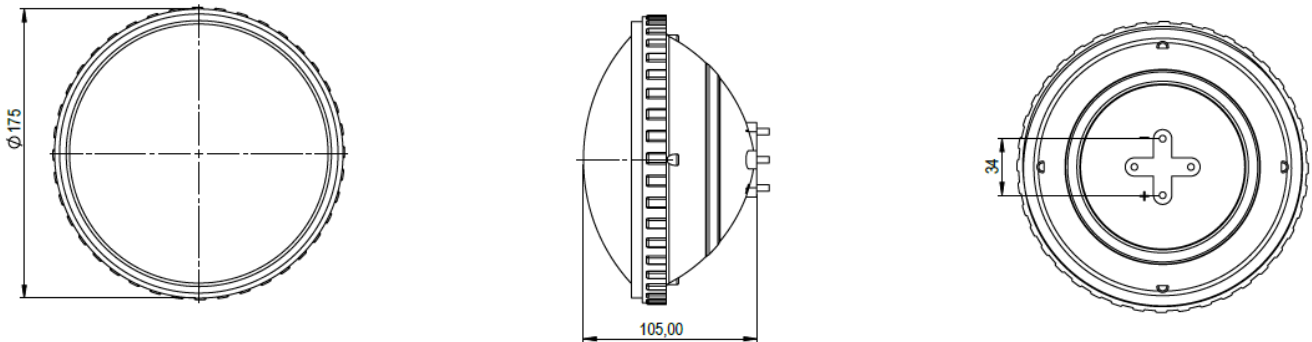


# SINGLE COLOR PAR56 LED BULBS

## WITH 27 POWER LEDS (POLYCARBONATE BODY)

Polycarbonate body. 50,000 hours long life. All the light circuits have Automatic Current Control against overheat to ensure long life. Mechanical sealing without any chemical adhesives.



Product Code	Description	Watt (W)	Voltage (V)	Light Intensity (lm)	Light Angle	Safe
05321111	27 Power LED - White	35	12	3510	140°	Polycarbonate
05321121	27 Power LED - Daylight	35	12	2322	140°	Polycarbonate
05321131	27 Power LED -Turquoise	35	12	1818	140°	Polycarbonate
05321141	27 Power LED - Blue	35	12	810	140°	Polycarbonate
05321151	27 Power LED - Red	22	12	1782	140°	Polycarbonate
05321161	27 Power LED - Green	35	12	2322	140°	Polycarbonate