

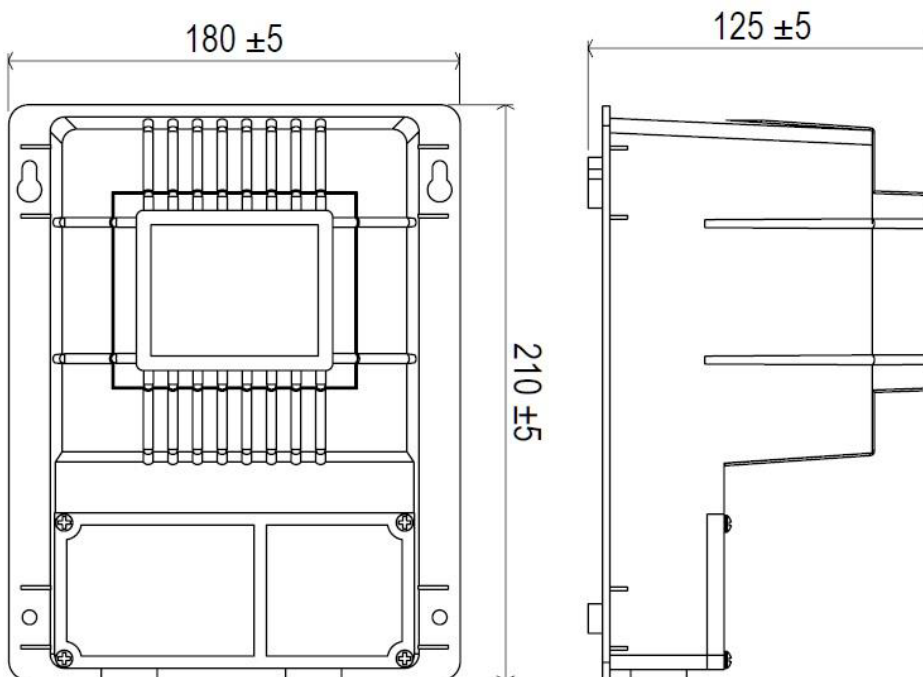
TRANSFORMERS

WITH 300 W/230 - 12 V OUTLET

Housing made of resistant plastic. 220 V input with glass fuse.

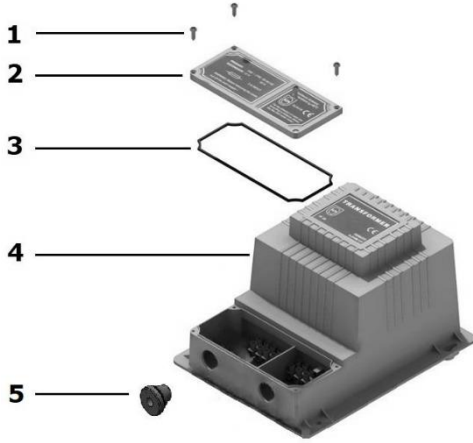


Product Information:



Technical Specifications

Input Voltage	220V AC-50Hz
Output Voltage	12V AC
Output Current (Max.)	25A
Output Power (Max.)	300W



1. Cover Screw
2. Cover
3. Cover Gasket
4. Body
5. Cable Seal

The length of the cable to be connected to the 12V AC output terminal affects the voltage. Using the table below, the appropriate cable diameter and length should be selected.

Voltage Loss Chart According to Cable Diameter and Length

Cable Diameter	Cable Length								
	9 m	12 m	15 m	18 m	21 m	24 m	27 m	30 m	51 m
2x4mm ²	-1.5V	-2V	-3V	-	-	-	-	-	-
2x6mm ²	-	-1.5V	-1.7V	-2V	-2.5V	-2.7V	-3.1V	-3.5V	-5.2V

Product Code	Description	Pieces/Box
05074	IP 20	1
05074P	Ditto, w/polyester isolation, IP 65	1