

GSCN 10/15/20/25/30/50



INSTALLATION AND MAINTENANCE MANUAL
KURULUM VE BAKIM TALİMATI

Version: 1.0





The instructions for use must be read carefully before assembly and the assembly process must be performed by experienced technicians. Installed in violation of the assembly instructions; Damaged sand failures that may occur in products with electrical and water connections are not covered by the warranty. The Salt Chlorine Generator is a device designed and manufactured only for salt electrolysis in small and medium-sized pools. Using the purchased device for other purposes; it may pose a danger to the device, the place used and the people using it.



The groundconnection must be connected to a proper grounding line. Electrical energy should be taken from a line with residual current protection



ATTENTION! Serious injury or even death can occur as a result of electric shock. So, seek help from experienced technicians.



Installation and commissioning must be done by authorized service or experienced electrician and plumber. Otherwise, the manufacturer and the seller cannot be held responsible for the problems that may arise from incorrect installation and commissioning. Repair, maintenance and parts replacement cannot be claimed under warranty. In terms of life safety and product; it should be installed in places where children cannot reach.

1. PRODUCT FEATURES

- Produces chlorine in water with the same salt concentration as in tears.
- It has a user-friendly interface that provides ease of use with an LCD screen.
- It has an automatic electrode cleaning feature against calcification.
- It has a long-life titanium electrode.
- Has an electrode life of 16,000 hours.
- Provides the opportunity to adjust to the optimum level by increasing or decreasing the polarity change time for cleaning the electrodes.
- The pool cover has a closing control input.
- Thanks to the LCD screen, it provides the opportunity to monitor the current during operation.
- The device records the total working time.
- It can be easily applied to the existing pool.
- The minimum recommended salinity is 4000ppm (4 kg / m³).
- The device can also be used in seawater with 35000ppm.

1.1. Technical Specifications

		GSCN10	GSCN15	GSCN20	GSCN25	GSCN30	GSCN50
Chlorine Production		10gr/ hour	15gr/hour	20gr/hour	25gr/hour	30gr/hour	50gr/hour
Supply Voltage		220 V AC					
Electrode Current		Max. 2 A	Max. 3 A	Max. 4 A	Max. 5 A	Max. 6 A	Max. 10 A
Electrode Voltage		Max. 24V					
Power Consumption		50 W	75 W	100 W	125 W	150 W	250 W
Max. Pool Dimensions	Temperate	50 m ³	75 m ³	100 m ³	135 m ³	170 m ³	300 m ³
	Tropical	35 m ³	50 m ³	65 m ³	90 m ³	110 m ³	200 m ³
Maximum Flow		450 l/min					
Maximum Pressure		320 Kpa					
Pressure Drop		5 Kpa					
Cell Type		Bipolar					
Salt Concentration		4-35gr/l					
Cell Material		PMMA					
Electrode Material		Titanium					
Device Dimensions		24X32X13 cm					
Device Weight		2.4 Kg					
Box Sizes		63X35X15 cm					
Box Weight		3.6 Kg					

2. ASSEMBLY - INSTALLATION



Assembly and installation must be done by authorized service or experienced electrician and plumber. Otherwise, the manufacturer and the seller cannot be held responsible for the problems that may arise from incorrect installation and commissioning. Repair, maintenance and parts replacement cannot be claimed under warranty.

Before starting the assembly, make sure that the following conditions are met by taking the safety precautions regarding electricity and water for the device to work smoothly and for your life and property safety.

Electricity Description



Electrical and mechanical measures have been taken to protect the safety of life and property in the Salt Chlorine Generator. For electrical measures to fulfill their function, warnings regarding residual current relay and grounding must be taken into account.

Leakage relay: Use a CE certified residual current relay that you are sure it works. Make sure that the relay you will use controls the Salt Chlorine Generator. Strictly test the Residual Current Relay every year.



The manufacturer/seller cannot be held responsible for any problems that may arise from failure of the Leakage Current Relay, subsequent failure, cancellation, not connecting the grounding cable, and poor grounding.

Supply Cable: The device supply cable should be at least 3 x 1.5 mm.

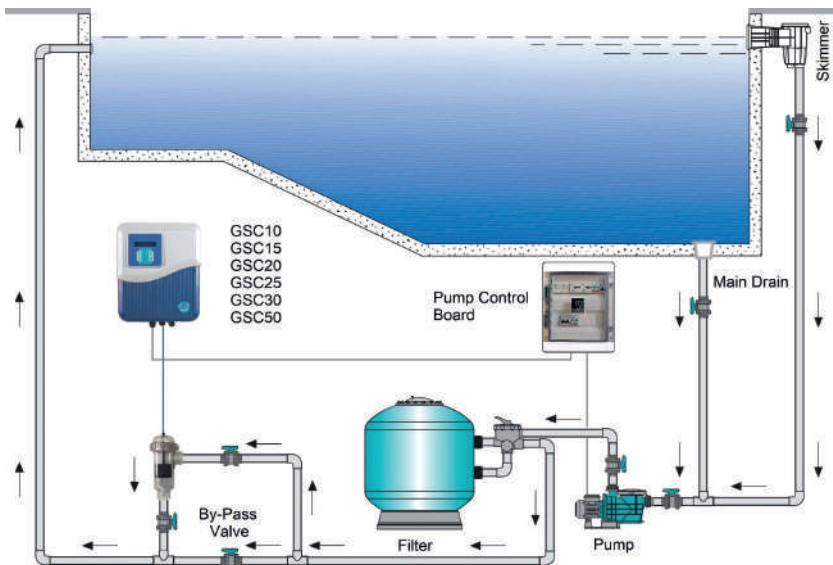
Grounding: Make sure that the grounding in your facility is well established. Connect the grounding line of the installation to the device. Test the ground line if necessary. You should see the voltage value you see between phase and neutral also between phase/ground. The voltage value between neutral and ground should be at most 2 V AC.

L-N: 220V AC

L-PE: 220V AC

N-PE: Maximum 2V AC

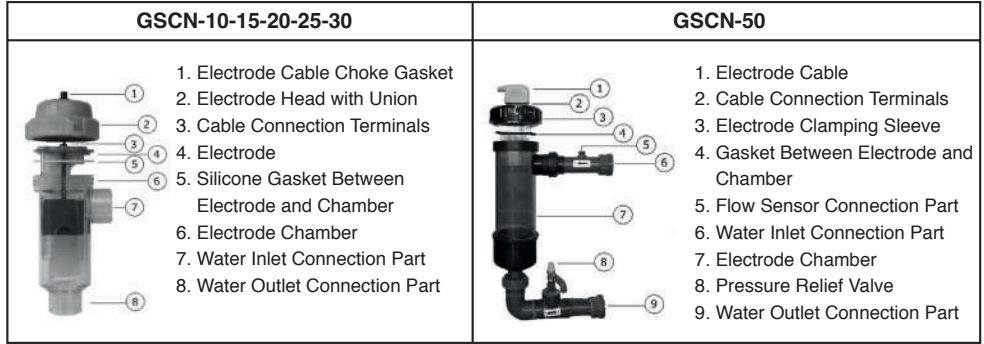
Installation Diagram



2.1. Control Unit Installation

1. For the mounting of the control unit, a place that provides easy access and reading should be determined.
2. The control unit must be in a place where there is airflow, protected from rain and there is no danger of water leakage.
3. If there are acid tanks in the area where the control unit is located, there must be airflow in the environment. Otherwise, electronic components may corrode due to the acid effect.
4. The control unit should be considered to be within 1.5 m of the electrode cell.
5. For the assembly process; Mark the hole locations on the wall you will mount on the hanging bracket.
6. Drill holes in the marked places, fix the hanging bracket with the help of dowels and screws and place the control unit on the bracket.
7. Connect the ground wire (yellow and green) of the 220V AC power unit cable to the grounding line of the installation. Connect the phase (brown) and neutral (blue) wires to the outputs of the pump contactor.

2.2. Electrode Cell Assembly

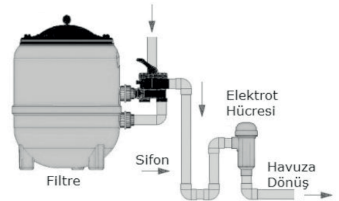


The electrode cell should be installed after the last element (filter, heater, etc.) that the water enters in the direction of return to the pool.



If an automatic pH regulator is installed in the system, the acid injection should be after the electrode cell. Otherwise, the electrodes interact with the acid and corrode. The manufacturer and the seller cannot be held responsible for any damages or problems caused by this. Repair, maintenance and parts replacement cannot be claimed under warranty.

- Rigid PVC glue should be used for pipe mounting to the electrode barrel and it should be allowed to dry completely before attaching the electrode.
- Electrode; it must be seated in the chamber in the right direction. The open part of the electrode should be towards the water inlet pipe connection. Make sure that the silicone gasket is in place and seated in a leak-proof way.
- Connect the electrode cable through the choke gasket and the screwed electrode head to the cable connection terminals. Close the threaded electrode head.
- It is recommended to install a three-valve bypass circuit whenever possible. In this way, it enables the adjustment of the amount of water passing through the cell and the operation of the pool while it is removed from the electrode chamber. In the pump operating at a certain power, the bypass circuit reduces the transition speed and prevents the electrodes from being damaged by vibration.
- The electrode cell should be used in vertical position. The vertical position allows the bowl to be emptied without spilling water. In addition, sufficient space is provided to remove the electrode head and electrode.
- If the cell is installed at a height below the filter outlet, gases formed as a result of electrolysis may accumulate in the chamber, which may damage the filtration elements. It can be prevented by making an installation as seen in this picture.



2.3. Pool Water

It is recommended to use mains water for the pool. If you are sourcing water from other sources, please have the water analyzed and make sure it is free of high concentrations of metals and calcium that are unsuitable for system operation. Also check the water's compliance with human health standards.

Before starting the salt water chlorinator, adjust the pool water values and take 1 kg of chlorine stabilizer for 25 m³ of water (20-30 ppm or as specified by the stabilizer manufacturer)



The stabilizer prevents the loss of chlorine from UV rays. The lack of stabilizer forces it to produce more chlorine, which shortens the life of the cell. On the other hand, a high stabilizer also affects the disinfection feature of chlorine in a way that will decrease.

The water of the pool should meet the following values.

Salt		5 – 6 Kg/m ³
pH	Concrete Pool	7.2 – 7.6
	Polyester	6.8 – 7.0
TAC		60 – 100 ppm
TH		15 – 20 French
Stabilizer		20 - 30 ppm (or manufacturer's recommendation)
Temperature		>10°C

2.4. Adding Salt

- During the salt addition process, the system must be closed completely until all the salt is dissolved. If the system is operated before the salt is completely dissolved, the cell may get irreversible damage. For this reason, damage will result in the product being out of warranty.
- Calculate the water volume of the pool, salt should be added to a salt concentration of 5-6 kg per square meter. Make sure the salt water chlorinator, is not connected during this process and do not operate the 24-hour filtration system.
- In a newly coated pool, wait for 4 weeks after coating without adding salt.
- The dissolution rate of salt can be accelerated by using pool cleaner. Make sure the salt concentration is 5 - 6 kg/m³ as detailed.
- The salt chlorine generator does not consume salt, but its concentration may decrease due to rain and water supplements.



In cases where you need to add salt, pour the salt as close to the return line as possible. Never pour into skimmers or suction strainers.

3. COMMISSIONING - USE

- Re-examine the electricity and water supply. Be sure to follow the assembly instructions written above correctly. If there is no deficiency or error, you can start the commissioning process.
- Open the water inlet and water outlet valves, turn off the bypass valve. Make sure there are no water leaks in the valves and the chamber.
- Make sure that phase, neutral and ground wires are properly connected. Remember, the device will work with the pump and shut down with the pump. Open the residual current relay/fuse. Check the supply terminals with the control pen or gauge.
- Turn on the device using the on / off switch at the bottom of the device. The control screen on the front of the device will be energized. There will be a closed mode screen on the control screen.
- The generator will operate in factory settings. If you want to change these settings, you can make the necessary changes with the help of the user manual.

3.1. Control Unit and Settings


1. 2 x 16 LCD screen; information and warnings about the device are displayed.
2. The device performs the functions of ON / OFF (switching on / off), entering the setting menu (the device is turned off, pressed for 3 seconds when it is OFF), and exit the pages and parameters in the setting menu.
3. It performs the functions of making selections in pages and parameters in the setting menu, confirming and saving the adjusted parameters.
4. It performs the functions of switching to a higher page or parameter in the setting menu and increasing the parameter values.
5. It performs the functions of switching to a subpage or parameter in the setting menu and decreasing the parameter values.




3.1.1. Control Unit Operation Screen Icons and Values

1. **CL Production Rate:** This section shows the instant CL production rate. It can be increased or decreased by using the arrow keys. When the device is in boost mode, “**BOOST**” appears in this section.

2. **CL Production and Polarization Icon:** 3 different icons appear in this section:

 **Correct directional polarization icon.**

 **Reverse directional polarization icon.** Operating in reverse polarization does not harm the device. The lime cleaning feature on the electrodes is activated.

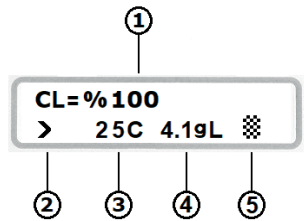
 **No polarization.** Cl is not produced. Polarization change is made.

3. This section shows errors and warnings that affect Cl production. By pressing the OK button once, the instantaneous current value drawn during production is shown. Detailed information about faults is explained in **the Fault Codes and Suggested Solutions** section.

NOTE: Instant temperature value is displayed thanks to the temperature sensor connected to the device.

4. The salinity value of the water passing through the electrode during production is displayed. By pressing the **OK** button once, the instantaneous electrode voltage is displayed during production.

5. **It is the symbol of pool cover.** Thanks to the pool cover closing control on the device; It provides the ability to adjust the chlorine production rate when the cover is closed. A switch with N.O contact (Dry Contact) is connected to the pool cover closing control connection socket. When the pool cover is closed, the signal coming from the switch turns the device to the cover mode and the icon appears on the screen. When the device is operating in the covered mode, the desired production value is increased and decreased with the direction buttons.



3.2. Setting Menu

The setting menu is an interface with the setting pages and parameters of the device. It allows the device to operate at an optimum level with the changes and adjustments made. The device is switched off to enter the setup menu. An image like the one will be displayed on the LCD screen. The **MENU** button is kept pressed for 3 seconds while the device is in the OFF position. The device will automatically switch to the setting menu.

The contents of the setting menu are shown in the adjacent table. The table indicates the setting pages and parameters within the pages.

SETTINGS	
1- POLARITY PERIOD	POLARMA HOURS
2- LANGUAGE	ENGLISH TURKISH FRENCH BULGARIAN GERMAN HUNGARIAN SPANISH
3- WATER TEMPERATURE	TEMP C. ENABLE
4- PROGRAM MENU	PASSWORD
5- MODBUS MENU	MODADR 0000

3.2.1. Polarty Period

Although the physical properties of the water used vary according to geographical regions, it inevitably contains certain proportions of calcium, magnesium, iron and other minerals. When the water is cold, these suspended minerals separate from the water during electrolysis, some of which adhere to the electrodes in the reservoir. After a certain time, the electrodes are completely covered with a substance called lime. Since the lime layer is insulating, it makes the electrical flow between electrodes difficult. As a result, chlorine production efficiency drops. This lime formed on the electrodes should be cleaned periodically.

This cleaning process device; It has the feature of automatically changing the polarization. Polarity period page is the page where the polarization change time is set. The page is entered by pressing the **OK** button once, and the **MENU** button must be pressed once to exit the page. When entering the setting page, the parameter value is changed with the **UP** and **DOWN** direction buttons. When the desired value is given, it is selected and saved with the **OK** button.

POLARTY PERIOD

**POLARTY PERIOD
POLARTY HOUR=8**

3.2.2. Language

This the page where the operating language setting of the device is made. The languages defined on the device are ENGLISH - TURKISH - FRENCH - BULGARIAN - GERMAN - HUNGARY - SPANISH. The page is entered by pressing the **OK** button once, and the **MENU** button must be pressed once to exit the page. The working language is changed with **UP** and **DOWN** direction buttons. When the desired working language is displayed, press the **OK** button once, the working language is selected and saved.

LANGUAGE

**LANGUAGE
ENGLISH**

3.2.3. Water Temperature

It is the parameter in which the active or passive status of the optional temperature sensor on the device is adjusted. Press the **OK** button once to enter the parameter, and to exit the parameter, press the **MENU** button once.

After entering the parameter, a screen like the one below is displayed. The status here is changed with the **UP** and **DOWN** direction buttons. When the desired state is set, it is selected and saved with the **OK** button and the parameter is automatically exited.

WATER TEMP.

**WATER TEMP.
TEMP C . ENABLE**

3.2.4. Program Menu

It is the setting page where technical personnel can intervene. Making changes to this page may damage the overall operation of the device.

3.2.5. Modbus Menu

Thanks to the modbus communication protocol in the device, communication with other devices is provided. In this page, the address is assigned to the device. Press the **OK** button once to enter the page, and to exit the page, press the **MENU** button once. After entering the page, address changes are made with the **UP** and **DOWN** direction buttons. When the desired address is given, it is selected and saved with the **OK** button and the page is automatically exited.

3.3. USAGE OF DEVICE

3.3.1. Switching the Device to On (ON) - Off (OFF) Mode

When the Salt Water Chlorinator is powered and started, the switch at the bottom of the device must be turned on. The device will be in On (ON) or Off (OFF) mode according to the last mode it was in. The mode in which the device is can be understood from the status of the LCD display. The production screen is displayed when the device is in the ON mode, and the "PURITRON" is displayed in the OFF mode.

3.3.2. Switching the Device to Chlorine Production

The device is turned on with the on / off button (3.1. Control Panel Item 2). Instantaneous CL production percentage, polarity direction icon will appear on the screen of the device. In the meantime, the CL production percentage can be increased or decreased by pressing the direction buttons. Also, if the **OK** button is pressed once, the current drawn by the electrodes is shown and then it will disappear automatically.

3.3.3. Switching the Device to Boost Mode

The chlorine need of the pool is provided quickly, thanks to the Boost Mode on the device. Device runs at full capacity for 8 hours and then returns to the production capacity set in the normal operation with the Boost Mode. When the device is in ON mode, the device is switched to Boost mode by holding down the **OK** button for 3 seconds. When the device is in boost mode, "**BOOST**" appears where CL production rate is shown.



While the device is working in Boost mode ; changing the production capacity with the directional buttons takes the device out of Boost mode.

3.3.4. Operating the Device with the Pool Cover

Thanks to the pool cover closure control in the device; It provides the possibility to adjust the chlorine production rate when the cover is closed. A switch with N.O contact (Dry Contact) is connected to the pool cover closing control connection socket. When the pool cover is closed, the signal from the switch puts the device in cover mode and the icon appears on the screen. While the device is operating in the covert mode, the desired production value is increased or decreased with the direction buttons.



4. CLEANING - MAINTENANCE INSTRUCTIONS

4.1. Electrode Cleaning

Although the physical properties of the water used vary according to the geographical regions, it is inevitable that it must contain certain amounts of calcium, magnesium, iron and other minerals. When the water is cold, these suspended minerals are separated from the water during electrolysis and some of them adhere to the electrodes in the chamber. After a certain time, the electrodes are completely covered with a substance called lime. Since the lime layer is insulating, they make the electrical flow between the electrodes difficult. As a result, the chlorine production efficiency decreases. This lime formed on the electrodes should be cleaned at regular intervals.

This cleaning process device; It has the ability to do it automatically by changing the polarization. However, in cases where the calcium concentration is very high, this feature may not completely remove the limescale. The cell should be visually checked for limescale and, if necessary, the cell should be cleaned manually.

1. Turn off the pump and salt chlorine generator.
2. Close the water inlet and water outlet valves of the electrode cell.
3. Open the electrode head with gland, disconnect the electrode cable neatly from the terminal, and remove the electrode from the chamber.
4. Ideally, if the electrode is allowed to dry for one day, the limescale will release itself. Take care and be careful not to damage the sensitive cover of the electrode during the procedure. Never hit the electrode with metal material that may scratch the electrode during this process. Pressurized water can be used to dissolve limescale.
5. If the pressurized water could not remove the limescale, you can immerse the electrode in 20% hydrochloric acid solution. The terminals on the top of the electrode must not touch the solution.
6. Immediately after cleaning, the electrode should be rinsed with clean water, the terminals should be carefully dried and reassembled.



Never leave the electrode in acid for more than 5 minutes! Do not scratch the electrode with metal objects! For safety reasons, dilute the acid with water!

4.2. Advice

The bipolar cells of the GSC salt water chlorinator, have been produced using a special technique, with an extraordinary duration and resistance under high-quality standards. However, some factors prevent you from getting the full and longest performance from the electrode. These:

- Operating with a limescale on the surface of the electrode.
- Operating the device in a system with excessive chlorine concentration. (Chlorine over 3.00 ppm is corrosive.)
- Operating the device in a system with a high or low pH.
- Operating the device in a salt-free system or a system with a high salt concentration.
- Operating the device in water below 10 °C.
- Adding salt while the appliance is running.
- Injecting pH regulator without skimmer or bottom strainer in place.

It is recommended to periodically check the cell terminals and lubricate them against sulphurisation. Situations when you need to turn off the equipment:

- If there is not enough water in the cell.
- While the filter is being cleaned.
- While the pool is being drained.
- When the water is frozen.
- While the cell is being cleaned.

4.3. Fault Codes and Suggested Solutions

Fault Code	Possible Failure	Solution Way
ERR1	Cable is broken or not making contact.	Check cable and connection terminals, replace if necessary.
	There is a problem with the electrode cable connection.	Check the electrode cable connection terminals.
	Dense lime	Clean the cell of scale and reduce the polarity period.
ERR2	There is lime	Clean the cell of scale and reduce the polarity period.
	The water is too hard	Soften the water.
ERR3	There is a short circuit at the device output.	Check the device electrode cable, electrode connection terminals, and replace it if necessary.
ERR4	Electronic card failure	Contact the manufacturer.
LOW SALT Device Does Not Work - No Display Screen	There is not enough salt in the pool water.	Add salt to the pool water.
	220VAC-50Hz energy is not supplied to the device.	Check the energy of the power cable ends connected to the panel.
		Check the power cable. Check the fuse in the glass fuse holder.
		Make sure that the device On / Off switch is in the on position.

5. GUARANTEE - AFTER SALES SERVICE - SPARE PARTS

1. Control unit and electrode cells are under a two-year warranty.
2. Products are excluded from the scope of warranty by the following items.
 - a. Malfunctions arising from the use of the product contrary to the instructions for use.
 - b. Malfunctions arising from incorrect electrical connections.
 - c. Malfunctions arising from crash, fall, breakage and similar accidents.
 - d. Faults are caused by liquid contact in the control unit.
 - e. Malfunctions arising from the operation without the bypass circuit (by the connection diagram). Malfunctions arising from the liquid contact in the control unit.
 - f. Malfunctions caused by acid spillage into the skimmer without shutting down the control unit.
 - g. Malfunctions caused by insufficient air circulation in the engine room.
 - h. Control unit; It must not be kept in the same environment with cleaning equipment including pump, filter and multiport valve.



Kullanma talimatı, montaj yapılmadan önce dikkatli bir şekilde okunmalı ve montaj işlemi tecrübeli teknisyenler tarafından yapılmalıdır. Montaj talimatına aykırı şekilde montajlanan; elektrik ve su bağlantıları yapılan ürünlere oluşabilecek hasar ve arızalar garanti kapsamı dışındadır. Tuz Klor Jeneratörü sadece küçük ve orta ölçekli havuzlarda tuz elektrolizi işlemi için tasarlanmış ve üretilmiş bir cihazdır. Satın alınan cihazı başka amaçlar için kullanmak; gerek cihaz için, gerekse kullanılan mahal ve kullanan kişiler için tehlike arz edebilir.



Topraklama bağlantısını, düzgün bir topraklama hattına bağlayarak gerçekleştiriniz. Elektrik enerjisi kaçak akım koruması bulunan bir hattan alınız.



DİKKAT! Elektrik çarpması sonucu ciddi yaralanmalar hatta ölümler meydana gelebilir. Bu yüzden tecrübeli teknisyenlerden yardım isteyiniz.



Montaj ve devreye alma işlemleri kesinlikle yetkili servis veya tecrübeli teknisyenler tarafından gerçekleştirilmelidir. Aksi halde hatalı montaj ve devreye almadan kaynaklanabilecek sorunlardan üretici ve satıcı firma sorumlu tutulamaz. Garanti kapsamında tamir, bakım ve parça değişimi talep edilemez. Can güvenliği ve ürün açısından; Montajı çocukların ulaşamayacağı yerlere yapılmalıdır.

1. ÜRÜN ÖZELLİKLERİ

- Göz yaşındaki tuzluluk ile aynı oranda tuz konsantrasyonundaki suda klor üretir.
- LCD ekran ile kullanım kolaylığı sağlayan kullanıcı dostu bir arayüze sahiptir.
- Kireçlenmeye karşı otomatik elektrot temizleme özelliği bulunur.
- Uzun ömürlü titanyum elektroda sahiptir.
- 16.000 saat elektrot ömrü bulunur.
- Elektrotların temizlenmesi için kutup değişim süresi artırılıp azaltılarak optimum seviyeye ayarlama imkanı sunar.
- Havuz örtüsü kapanma kontrol girişine sahiptir.
- LCD ekran sayesinde, çalışma anındaki akımı görüntüleme imkanı sağlar.
- Cihaz toplam çalışma süresini kaydeder.
- Mevcut havuza kolaylıkla uygulanabilir.
- Önerilen minimum tuzluluk 4000ppm'dir (4kg/m³).
- Cihaz 35000ppm olan deniz suyunda da kullanılabilir özelliğe sahiptir.

1.1. Technical Specifications

	GSCN10	GSCN15	GSCN20	GSCN25	GSCN30	GSCN50
Klor Üretimi	10gr/saat	15gr/saat	20gr/saat	25gr/saat	30gr/saat	50gr/saat
Besleme Voltajı	220 V AC					
Elektrot Akımı	Max. 2 A	Max. 3 A	Max. 4 A	Max. 5 A	Max. 6 A	Max. 10 A
Elektrot Voltajı	Max. 24V					
Güç Tüketimi	50 W	75 W	100 W	125 W	150 W	250 W
Max. Havuz Ölçüleri	Temperate	50 m ³	75 m ³	100 m ³	135 m ³	300 m ³
	Tropical	35 m ³	50 m ³	65 m ³	90 m ³	200 m ³
Maksimum Debi	450 l/min					
Maksimum Basınç	320 Kpa					
Basınç Kaybı	5 Kpa					
Hücre Tipi	Bipolar					
Tuz Derişimi	4-35gr/l					
Hücre Malzemesi	PMMA					
Elektrot Malzemesi	Titanium					
Cihaz Ölçüleri	24X32X13 cm					
Cihaz Ağırlığı	2.4 Kg					
Kutu Ölçüleri	63X35X15 cm					
Kutu Ağırlığı	3.6 Kg					

2. MONTAJ - KURULUM



Montaj ve kurulum işlemleri kesinlikle yetkili servis veya tecrübeli teknisyenler tarafından gerçekleştirilmelidir. Aksi halde hatalı montaj ve devreye almadan kaynaklanabilecek sorunlardan üretici ve satıcı firma sorumlu tutulamaz. Garanti kapsamında tamir, bakım ve parça değişimi talep edilemez.

Cihazın sorunsuz çalışabilmesi, can ve mal güvenliğinizi için montaja başlamadan önce elektrik ve su ile ilgili emniyet önlemlerini alarak aşağıdaki koşulların sağlandığından emin olun.

Elektrik ile İlgili Açıklama



Tuz Klor Jeneratöründe can ve mal güvenliğini korumaya yönelik olarak elektriksel ve mekanik önlemler alınmıştır. Elektriksel önlemlerin işlevini yerine getirebilmesi için mutlaka kaçak akım rölesi ve topraklama ile ilgili uyarıların dikkate alınması gerekmektedir.

Kaçak Akım Rölesi: CE belgeli ve çalıştığından emin olduğunuz bir kaçak akım rölesi kullanın. Kullanacağınız rölenin Tuz Klor Jeneratörünü kontrol ettiğinden emin olun. Kesinlikle her yıl Kaçak Akım Rölesini test edin.



Kaçak Akım Rölesinin takılmamasından, sonradan arızalanmasından, iptal edilmesinden, topraklama kablosunun bağlanmamasından, topraklamanın zayıf olmasından kaynaklanabilecek her türlü sorunlardan üretici/satıcı firma sorumlu tutulamaz.

Besleme Kablosu: Cihaz besleme kablosu en az 3x1,5mm olmalıdır.

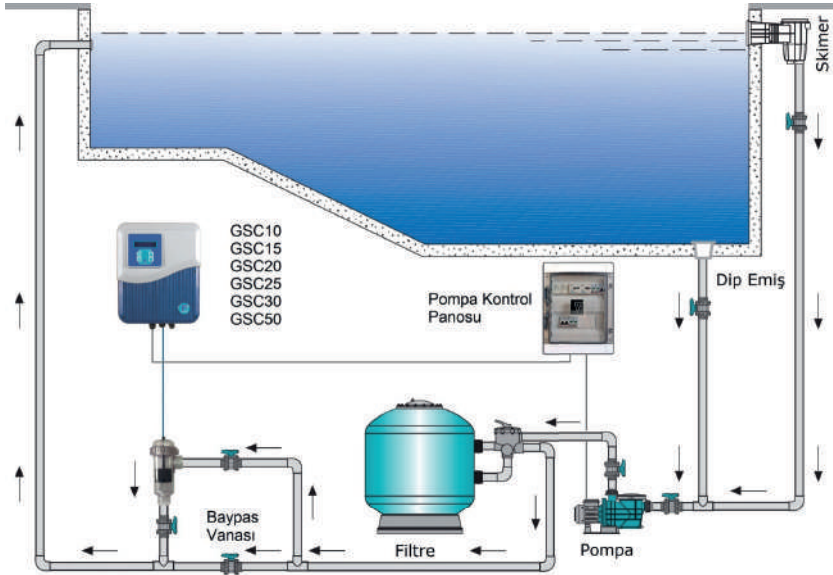
Topraklama: Tesisinizdeki topraklamanın iyi yapılmış olduğundan emin olun. Tesisatın topraklama hattını mutlaka cihaza bağlayın. Gerekirse topraklama hattını test edin. Faz ile nötr arasında gördüğünüz voltaj değerini faz/toprak arasında da görüniz gerekmektedir. Nötr ve toprak arası voltaj değeri en çok 2 V AC olmalıdır.

L-N: 220V AC

L-PE: 220V AC

N-PE: Maximum 2V AC



Tesisat Şeması



2.1. Kontrol Ünitesi Montajı

1. Kontrol ünitesi montajı için kolay ulaşım ve okuma sağlayacak bir yer belirlenmelidir.
2. Kontrol ünitesi hava akışının olduğu, yağmurdan korunmalı ve herhangi bir su sızıntısı tehlikesi olmayan bir yerde olmalıdır.
3. Kontrol ünitesi bulunduğu bölgede asit tankları var ise ortamda hava akışı olması gerekmektedir. Aksi halde asit etkisi ile elektronik komponentler korozyona uğrayabilir.
4. Kontrol ünitesi elektrot hücresine en fazla 1,5m uzakta olacak şekilde düşünülmelidir.
5. Montaj işlemi için; monte edeceğimiz duvarda askı aparatı üzerinden delik yerlerini işaretleyin.
6. İşaretlenen yerlere delikler açın, dübel ve vida yardımı ile askı aparatını sabitleyin ve kontrol ünitesini askı aparatına yerleştirin.
7. 220V AC güç ünitesi kablusunun topraklama kablusunu (sarı ve yeşil) tesisatın topraklama hattına bağlayın. Faz (kahverengi) ve nötr (mavi) kablolarını pompa kontaktörünün çıkışlarına bağlayın.

2.2. Elektrot Hücresi Montajı

GSCN-10-15-20-25-30	GSCN-50
 <ol style="list-style-type: none">1.Elektrot Kablo Boğma Contası2.Rakorlu Elektrot Kafası3.Kablo Bağlantı Terminalleri4.Elektrot5.Elektrot ve Hazne Arası Conta6.Elektrot Haznesi7.Su Giriş Bağlantı Kısım8.Su Çıkış Bağlantı Kısım	 <ol style="list-style-type: none">1.Elektrot Kablosu2.Kablo Bağlantı Terminalleri3.Elektrot Sıkma Rakoru4.Elektrot ve Hazne Arası Conta5.Flow Sensör Bağlantı Noktası6.Su Giriş Bağlantı Kısım7.Elektrot Haznesi8.Basınç Emniyet Ventili9.Su Çıkış Bağlantı Kısım

Elektrot hücresi, havuza dönüş yönünde suyun girdiği son elemandan (filtre, ısıtıcı vb.) sonra olacak şekilde kurulmalıdır.



Eğer sistemde otomatik pH düzenleyici kuruluysa asidin enjeksiyonu elektrot hücresinden sonra olmalıdır. Aksi takdirde elektrotlar asit ile etkileşime girerek korozyona uğrar. Bu sebeple oluşan zarar ve sorunlardan üretici ve satıcı firma sorumlu tutulamaz. Garanti kapsamında tamir, bakım ve parça değişimi talep edilemez.

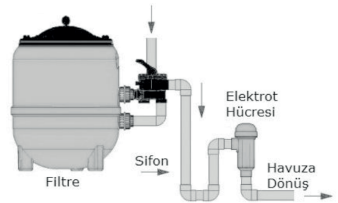
- Elektrot haznesine boru montajında sert PVC yapıştırıcı kullanılmalı ve elektrotu takmadan önce tamamen kuruması beklenmelidir.
- Elektrot; haznenin içine doğru yönde oturtulmalıdır. Elektrotun açık kısmı su giriş borusu bağlantısına gelecek şekilde olmalıdır. Silikon contanın yerinde olduğundan ve sızdırmayacak şekilde yerleştiğinden emin olunmalıdır.
- Elektrot kablusunu kablo boğma contasından ve rakorlu elektrot kafasından geçirerek kablo bağlantı terminallerine bağlayın. Rakorlu elektrot kafasını kapatın.
- Üç vanalı bypass devresinin mümkün olduğunca kurulması tavsiye edilir. Bu sayede hücreden geçen suyun miktarının ayarlanmasını ve elektrot hazesinden çıkarılırken havuzun çalışmasını sağlar.

Belli güçte çalışan pompada bypass

devresi, geçiş hızını düşürerek elektrotların titreşimden dolayı zarar görmesini engeller.

• Elektrot hücresi dikey pozisyonda kullanılmalıdır.

• Eğer hücre filtre çıkışının altında bir yükseklikte monte edilirse, haznede elektroliz sonucu oluşan gazlar birikebilir ve bu da filtrasyon elemanlarına zarar verebilir. Bu resimde görüldüğü gibi bir tesisat yapılarak engellenebilir.



2.3. Havuz Suyu

Havuz için şebeke suyu kullanmanız tavsiye edilir. Eğer suyu başka kaynaklardan sağlıyorsanız, lütfen suyun analizini yaptırın ve sistemin çalışmasına uygun olmayan yüksek konsantrasyonda metal ve kalsiyum gibi etkenlerin bulunmadığından emin olun. Ayrıca suyun insan sağlığı standartlarına uyumunu da kontrol edin.

Tuz klor jeneratörünü çalıştırmadan önce havuz suyu değerlerini ayarlayın ve 25 m³ su için 1 kg klor stabilizör atın (20-30 ppm veya stabilizör üreticisinin belirttiği kadar)



Stabilizör klorun UV ışınlarından dolayı kaybolmasını engeller. Stabilizör eksikliği daha fazla klor üretimine zorlar ve bu da hücrenin ömrünü kısaltır. Öte yandan yüksek stabilizör de klorun dezenfeksiyon özelliğini düşürecek yönde etkiler.

Havuzun suyu aşağıdaki değerleri karşılamalıdır.

Tuz		5 – 6 Kg/m ³
pH	Beton Havuz	7.2 – 7.6
	Polyester	6.8 – 7.0
TAC		60 – 100 ppm
TH		15 – 20 Fransız
Stabilizer		20 - 30 ppm (veya üreticinin önerisi)
Sıcaklık		>10°C

2.4. Tuz Ekleme

- Tuz ekleme işlemi sırasında tuzun hepsi çözünene kadar sistem tamamen kapatılmalıdır. Tuz tamamen çözünmeden sistemin çalıştırılması durumunda hücre geri döndürülemez hasar alabilir. Bu nedenle oluşacak bir hasar ürünün garanti kapsamından çıkmasına neden olur.
- Havuzun su hacmini hesaplayın, metrekübe 5-6 kg tuz konsantrasyonu olacak şekilde tuz atılmalıdır. Bu işlem sırasında tuz klor jeneratörünün bağlı olmadığından emin olun ve 24 saat filtrasyon sistemini çalıştırmayın.
- Yeni kaplama yapılan bir havuzda, kaplamadan 4 hafta sonraya kadar tuz atmadan bekleyin.
- Tuzun çözünme hızı havuz süpürgesi kullanılarak hızlandırılabilir. Tuz konsantrasyonun 5-6 kg/m³ olduğundan emin olun.
- Tuz klor jeneratörünün tuz tüketimi yoktur, fakat yağmur ve su takviyesi gibi nedenlerle konsantrasyonu düşebilir.



Tuz eklemeniz gereken durumlarda tuzu mümkün olduğunca havuza dönüş hattına yakın dökün. Kesinlikle skimmere veya emiş süzgeçlerine dökmeyin.

3. DEVREYE ALMA - KULLANIM

- Elektrik ve su tesisatını tekrar gözden geçirin. Yukarıda yazılı olan montaj talimatlarını doğru uyguladığınızdan emin olun. Bir eksiklik ya da hata yoksa devreye alma işlemlerine başlayabilirsiniz.
- Elektrot hücresinin su giriş ve su çıkış vanalarını açın, by – pass vanasını kısın. Vanalarda ve haznede su kaçığı olmadığından emin olun.
- Faz, nötr ve topraklama kablolarının doğru bağlandığından emin olun. Unutmayın cihaz pompa ile beraber çalışıp pompa ile beraber kapanacaktır. Kaçak akım rölesini/sigortasını açın. Kontrol kalemi veya ölçü aleti ile besleme klemenslerini kontrol edin.
- Cihazın alt kısmındaki açma /kapama anahtarından cihazı açın. Cihaz ön kısmındaki kontrol ekranı enerjilenecektir. Kontrol ekranında kapalı mod ekranı yer alacaktır.
- Jeneratör fabrika ayarlarında çalışacaktır. Bu ayarları değiştirmek isterseniz kullanma kılavuzu yardımı ile gerekli değişiklikleri yapabilirsiniz.

3.1. Kontrol Paneli


1. 2x16 LCD ekran; cihaz ile ilgili bilgiler ve uyarılar gösterilir.
2. Cihaz ON/OFF (kapatıp açma), ayar menüsüne giriş (cihaz kapalı, OFF konumdayken 3sn. basılı tutulur) ve ayar menüsünde sayfalardan ve parametrelerden çıkış fonksiyonlarını gerçekleştirir.
3. Ayar menüsündeki sayfalarda ve parametrelerde seçim yapma, ayarlanan parametreleri onaylayıp kaydetme fonksiyonlarını gerçekleştirir.
4. Ayar menüsünde bir üst sayfaya veya parametreye geçiş ve parametre değerlerini arttırma fonksiyonlarını gerçekleştirir.
5. Ayar menüsünde bir alt sayfaya veya parametreye geçiş ve parametre değerlerini eksiltme fonksiyonlarını gerçekleştirir.





3.1.1. Kontrol Paneli Çalışma Ekranı Simgeleri ve Değerleri

1. Cl Üretimi Oranı: Bu kısımda anlık Cl üretim oranı gösterilmektedir. Yön tuşları kullanılarak arttırıp azaltılabilmektedir. Cihaz boost modunda iken bu kısımda **BOOST** yazısı belirir.

2. CL Üretim ve Polarizasyon Simgesi: Bu kısımda 3 farklı simge görünür:

 **Doğru yönlü polarizasyon simgesi.**

 **Ters yönlü polarizasyon simgesi.** Ters yönlü polarizasyonda çalışmasının cihaza bir zararı bulunmamaktadır. Elektrodlar üzerindeki kireç temizleme özelliği devrededir.

 **Polarizasyon yok.** Cl üretimi yapılmamaktadır. Polarizasyon değişikliği yapılmaktadır.

3. Bu kısımda Cl üretimini etkileyen hata ve uyarılar gösterilmektedir. **OK** butonuna bir kez basılarak üretim esnasında çekilen anlık akım değeri gösterilmektedir. Arızalar ile ilgili detaylı bilgiler **Arıza Kodları ve Önerilen Çözüm Yolları** kısmında anlatılmıştır.

NOT: Cihaza opsiyonel olarak bağlanan sıcaklık sensörü sayesinde anlık sıcaklık değeri gösterilir.

4. Üretim esnasında elektrottan geçen suyun tuzluluk değeri gösterilmektedir. **OK** butonuna bir kez basılarak üretim esnasında anlık elektrot voltajı gösterilmektedir.

5. Havuz örtüsü simgesidir. Cihazda bulunan havuz örtüsü kapanma kontrolü sayesinde; örtü kapalıyken klor üretim oranını ayarlama imkanı sağlar. Havuz örtüsü kapanma kontrolü bağlantı soketine N.O kontağı (Kuru Kontak) bulunan switch bağlanır. Havuz örtüsü kapandığında switchten gelen sinyal cihazı örtü moduna geçirir ve ekranda simgesi belirir. Cihaz örtülü moda çalışırken istenilen üretim değeri yön butonları ile arttırılıp azaltılır.

3.2. Ayar Menüsü

Ayar menüsü cihazın ayar sayfalarının ve parametrelerinin bulunduğu bir arayüzdür. Yapılan değişiklikler ve ayarlamalar ile cihazın optimum seviyede çalışmasına olanak sağlar. Ayar menüsüne giriş için cihaz kapalı (OFF) konuma alınır. Cihaz kapalı (OFF) konumda iken **MENU** butonuna 3 saniye basılı tutulur. Cihaz otomatik olarak ayar menüsüne geçiş yapacaktır.

Ayar menüsü içeriği yandaki tabloda gösterilmektedir. Tabloda ayar sayfaları ve sayfaların içerisindeki parametreler belirtilmektedir.

Ayarlar	
1- POLARİTE PERYODU	POLARMA HOURS
2- DİL	İNGİLİZCE TÜRKÇE FRANSIZCA BULGARCA ALMANCA MACARCA İSPANYOLCA
3- SU SICAKLIĞI	TEMP C. ENABLE
4- PROGRAM MENU	ŞİFRE
5- MODBUS MENU	MODADR 0000

3.2.1. Polarite Peryodu

Kullanılan suyun fiziksel özellikleri coğrafi bölgelere göre değişkenlik gösterse de içerisinde mutlaka belli oranlarda kalsiyum, magnezyum, demir ve diğer mineralleri bulunurması kaçınılmazdır. Su soğuk iken askıda bulunan bu mineraller elektroliz esnasında sudan ayrışır bir kısmı hazne içerisindeki elektrotlara yapışır. Belli bir süre sonra elektrotların üzeri tamamen kireç olarak tabir edilen maddeyle kaplanır. Kireç tabakası yalıtkan özellikle olduğundan elektrotlar arası elektrik akışını zorlaştırır. Bunun sonucunda klor üretim verimi düşer. Elektrotlarda oluşan bu kirecin belli aralıklarla temizlenmesi gerekmektedir.

POLARITE PERYODU

**POLARITE PERYODU
POLARMA SAAT= 08**

Bu temizleme işlemini cihaz; polarizasyonu değiştirerek otomatik olarak yapabileceği özelliğine sahiptir. Polarite periyod sayfası polarizasyon değiştirme süresinin ayarlandığı sayfadır. **OK** butonuna bir kez basılarak sayfa içerisine girilir, sayfadan çıkmak için ise **MENU** butonuna bir kez basılması gerekir. Ayar sayfasına girildiğinde **UP** ve **DOWN** yön butonlarıyla parametre değeri değiştirilir. İstenilen değer verildiğinde **OK** butonu ile seçilip kaydedilir.

3.2.2. Dil

Cihazın çalışma dili ayarının yapıldığı sayfadır. Cihaza tanımlı olan İNGİLİZCE – TÜRKÇE – FRANSIYZCA – BULGARCA – ALMANCA – MACARCA – İSPANYOLCA dilleri bulunur. **OK** butonuna bir kez basılarak sayfa içerisine girilir, sayfadan çıkmak için ise **MENU** butonuna bir kez basılması gerekir. **UP** ve **DOWN** yön butonlarıyla çalışma dili değişikliği yapılır. İstenilen çalışma dili ekrana geldiğinde **OK** butonuna bir kez basılır, çalışma dili seçilerek kaydedilir.

DİL

**DİL
TURKCE**

3.2.3. Su Sıcaklığı

Cihazda opsiyonel olarak bulunan sıcaklık sensörünün aktif veya pasif olma durumunun ayarlandığı parametredir. **OK** butonuna bir kez basılarak parametre içerisine girilir, parametreden çıkmak için ise **MENU** butonuna bir kez basılması gerekir.

SU SICAKLIĞI

Parametre içerisine girdikten sonra yandaki gibi bir ekran görüntülenir. Buradaki durum **UP** ve **DOWN** yön butonlarıyla değiştirilir. İstenilen durum ayarlandığında **OK** butonu ile seçilip kaydedilir ve otomatik olarak parametreden çıkarılır.

**SU SICAKLIĞI
TEMP C . ENABLE**

3.2.4. Program Menu

Teknik personelin müdahale edebildiği ayar sayfasıdır. Bu sayfada değişiklik yapmak cihazın genel çalışmasına zarar verebilir.

3.2.5. Modbus Menu

Cihazda bulunan modbus haberleşme protokolü sayesinde diğer cihazlarla haberleşme sağlanır. Bu sayfa içerisinde cihaza adres ataması yapılmaktadır. **OK** butonuna bir kez basılarak sayfa içerisine girilir, sayfadan çıkmak için ise **MENU** butonuna bir kez basılması gerekir. Sayfa içerisine girdikten sonra **UP** ve **DOWN** yön butonlarıyla adres değişikliği yapılır. İstenilen adres verildiğinde **OK** butonu ile seçilip kaydedilir ve otomatik olarak sayfadan çıkarılır.

3.3. CIHAZIN KULLANIMI

3.3.1. Cihazın Açık(ON) - Kapalı(OFF) Moda Alınması

Tuz Klor Jeneratörüne enerji verip çalıştırıldığında cihazın alt kısmında bulunan anahtar açık konuma getirilmelidir. Cihaz en son kaldığı moda göre Açık(ON) veya Kapalı(OFF) moda olacaktır. Cihazın hangi moda olduğu LCD gösterge ekranı durumundan anlaşılmaktadır. Cihaz Açık (ON)modda üretim ekranı, Kapalı (OFF)modda ise PURİTRON yazısı bulunan ekran görüntülenir.

3.3.2. Cihazın Klor Üretimine Alınması

Cihaz açma kapatma butonu (3.1.Kontrol Paneli 2.Madde) ile açık konuma alınır. Cihazın ekran kısmında anlık CL üretim yüzdesi, polarite yönü simgesi görünecektir. Bu esnada yön butonlarına basılarak CL üretim yüzdesi artırıp azaltılabilmektedir ayrıca **OK** butonuna bir kez basılır ise elektrotların anlık çektiği akım ve voltaj değeri gösterilir sonra otomatik olarak kaybolacaktır.

3.3.3. Cihazın Boost Moda Alınması

Cihazda bulunan Boost Modu sayesinde havuzun hızlı bir şekilde klor ihtiyacının karşılanması sağlanır. Boost Modu cihazın 8 saat boyunca tam kapasitede çalışıp sonra tekrar normal çalışmada ayarlanan üretim kapasitesine geri dönmelerini sağlar. **Cihaz Açık(ON) modda iken OK butonuna 3sn. basılı tutularak cihaz Boost moduna alınır.** Cihaz boost modunda iken klor üretim oranının gösterildiği kısımda **BOOST** yazısı belirir.



Cihaz Boost modunda çalışırken; yön butonlarıyla üretim kapasitesinde değişiklik yapmak cihaz Boost moddan çıkarır.

3.3.4. Cihazın Havuz Örtüsüyle Çalışması



Cihazda bulunan havuz örtüsü kapanma kontrolü sayesinde; örtü kapalıyken klor üretim oranını ayarlama imkanı sağlar. Havuz örtüsü kapanma kontrolü bağlantı soketine N.O kontağı(Kuru Kontak) bulunan switch bağlıdır. Havuz örtüsü kapandığında switchten gelen sinyal cihazı örtü moduna geçirir ve ekranda simgesi belirir. Cihaz örtülü modda çalışırken istenilen üretim değeri yön butonları ile artırılıp azaltılır.

4. TEMİZLİK - BAKIM TALİMATLARI

4.1. Elektrot Temizliği

Kullanılan suyun fiziksel özellikleri coğrafi bölgelere göre değişkenlik gösterse de içerisinde mutlaka belli oranlarda kalsiyum, magnezyum, demir ve diğer mineralleri bulunması kaçınılmazdır. Su soğuk iken askıda bulunan bu mineraller elektroliz esnasında sudan ayrışır bir kısmı hazne içerisindeki elektrotlara yapışır. Belli bir süre sonra elektrotların üzeri tamamen kireç olarak tabir edilen maddeyle kaplanır. Kireç tabakası yalıtkan özellikle olduğundan elektrotlar arası elektrik akışını zorlaştırır. Bunun sonucunda klor üretim verimi düşer. Elektrotlarda oluşan bu kirecin belli aralıklarla temizlenmesi gerekmektedir.

Bu temizleme işlemini cihaz; polarizasyonu değiştirerek otomatik olarak yapabileceği özelliğine sahiptir. Fakat kalsiyum derişiminin çok yüksek olduğu durumlarda bu özellik tam olarak kireç tortusunu ortadan kaldıramaz. Düzenli olarak gözle hücrede kireç tortusunu kontrol edip, gerekli durumlarda hücre elle temizlenmelidir.

1. Pompa ve tuz klor jeneratörünü kapatın.
2. Elektrot hücresinin su giriş ve su çıkış vanalarını kapatın.
3. Rakorlu elektrot kafasını açın, elektrot kablosunu düzgün bir şekilde terminalden sökün ve elektrodu haznedan çıkartın.
4. İdeal olarak bir gün boyunca elektrodun kuruması beklenirse kireç tortusu kendini serbest bırakır. İşlem sırasında elektrodun hassas kapağının zarar görmemesine özen gösterin ve dikkat edin. Bu işlem sırasında elektrodu çizebilecek metal malzeme ile kesinlikle vurmayın. Kireç tortusunu çözmek için basınçlı su kullanılabilir.
5. Eğer basınçlı su kireç tortusunu kaldıramadıysa, elektrodu %20 hidroklorik asit çözeltisinin içine batırabilirsiniz. Elektrodun üst kısmında bulunan terminaler çözeltiye temas etmemelidir.
6. Temizlikten hemen sonra elektrot temiz su ile durulanmalı, terminalerin olduğu yer dikkatlice kurutulmalı ve tekrar monte edilmelidir.



Elektrodu kesinlikle asit içerisinde 5 dakikadan fazla bekletmeyin! Metal objelerle elektrodu çizmeyin! Güvenlik nedeniyle asidi suyla seyreltin!

4.2. Tavsiyeler

Tuz klor jeneratörünün bipolar hücreleri özel bir teknik kullanılarak yüksek kalite standartlarının altında oluşan üstü bir süre ve direnç kazandırılarak üretilmiştir. Fakat elektrottan tam ve en uzun performansı almanız engelleyici faktörler bulunmaktadır. Bunlar:

- Elektrodun yüzeyinde kireç tortusu ile çalıştırmak
- Cihazı aşırı klor konsantrasyonu olan sistemde çalıştırmak.(3.00 ppm üzeri klor aşındırıcı etkidedir.)
- Cihazı yüksek veya düşük pH değerine sahip sistemde çalıştırmak.
- Cihazı tuzsuz veya yüksek konsantrasyonda tuz olan sistemde çalıştırmak.
- Cihazı 10 °C altındaki suda çalıştırmak.
- Cihaz çalışırken tuz eklemek.
- Skimmer veya dip süzgecini yerleştirmeden pH düzenleyici enjekte etmek.

Hücre terminalerini periyodik olarak kontrol etmeniz ve kükürtlenmeye karşı yağlamanız tavsiye edilir. Ekipmanı kapatmanız gereken durumlar:

- Hücrede yeterli su olmaması durumunda.
- Filtre temizlenirken.
- Havuz boşaltılırken.
- Su donduğunda.
- Hücre temizlenirken.

4.3. Fault Codes and Suggested Solutions

Arıza Kodu	Muhtemel Arıza	Çözüm Yolu
ERR1	Kablo kopuk veya temas etmiyor	Kabloyu ve bağlantı terminallerini kontrol edin, gerekiyorsa değiştirin.
	Elektrot kablo bağlantısında problem var	Elektrot kablo bağlantı terminallerini kontrol edin.
	Yoğun kire	Hücreden kireci temizleyin ve polarite periyodunu düşürün.
ERR2	Kireç var	Hücreden kireci temizleyin ve polarite periyodunu düşürün.
	Su çok sert	Suyu yumuşatın.
ERR3	Cihaz çıkışında kısa devre var	Cihaz elektrot kablosunu, elektrot bağlantı terminallerini kontrol edin ve gerekiyorsa değiştirin.
ERR4	Elektronik kart arızası	Üretici ile iletişime geçin.
Tuz Eksik	Havuz suyunda yeterli oranda tuz yok.	Havuz suyuna tuz ekleyin.
Cihaz Çalışmıyor - Ekranda Görüntü Yok	Cihaza 220VAC-50Hz enerji gelmiyor.	Panoya bağlı güç kablosu uçlarında enerji kontrolü yapın.
		Güç kablosunu kontrol edin.
		Cihaz Aç/Kapat anahtarının açık konumda olduğundan emin olun.
		Cihaz Stand-By konumunda MENU Butonuna bir kez basın.

5. GARANTİ - SATIŞ SONRASI SERVİS - YEDEK PARÇALAR

1. Kontrol ünitesi ve elektrot hücreleri iki yıl garanti altındadır.
2. Ürünler, aşağıda bulunan maddeler doğrultusunda garanti kapsamı dışına alınır.
 - a. Ürünün kullanma talimatına aykırı kullanımından doğan arızalar.
 - b. Yanlış elektrik bağlantılarından doğan arızalar.
 - c. Çarpma ve benzeri kazalardan doğan arızalar.
 - d. Kontrol ünitesinde sudan doğacak arızalar.
 - e. By pass devresi (bağlantı şemasına uygun) olmadan çalışmasından doğacak arızalar.
 - f. Kontrol ünitesini kapatmadan skimmere asit dökülmesinden kaynaklanan arızalar.
 - g. Dezenfeksiyon için kullanılan asit tankının bulunduğu makine dairesi içerisinde yetersiz hava sirkülasyonunun olmasından kaynaklanan arızalar.
 - h. Tuz klor jeneratörü; pompa, filtre ve çok yollu vana da dahil olmak üzere temizlik ekipmanlarıyla kesinlikle aynı ortamda bulundurulmamalıdır.



- We reserve to change all of the articles or contents of this document, without prior notice.
- Firmamız bu belgenin içeriğinde haber vermeksizin deęişlikler yapabilir.