



05112LS

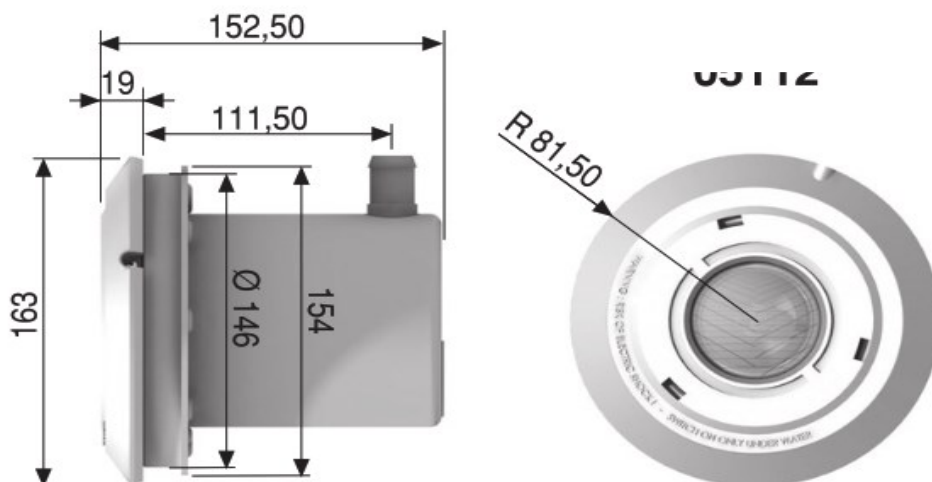
“Mini 2008 Underwater Lights



PRODUCT FEATURES

- It can be easily installed in all swimming pools.
- It gives instant beam thanks to the LEDs used in the light.
- Light scattering angle is 120 °.
- The light complies with IP68 protection degree at 2 m nominal depth.
- The light operating voltage is very low (12V AC / DC), making it a Class III electrical device.

VOLTAGE (V)	POWER (W)	CCT (K) Min	CCT (K) Typ	CCT (K) Max	Φ (lm) Min	Useful (lm flux)	CRI (Ra)	Light Intensity (cd)
12V AC/DC	6.6	6000	6500	7350	296.2 lm	298 lm	84,3	165.84 cd



Note:

1. $2\theta_{1/2}$ is the angle from optical centerline where the luminous intensity is 1/2 the optical centerline value.
2. The above luminous flux measurement allowance tolerance is $\pm 5\%$.
3. The above Color Rendering Index measurement allowance tolerance is -2
4. The above color coordinates measurement allowance tolerance is ± 0.003 .