

# 05112SLS

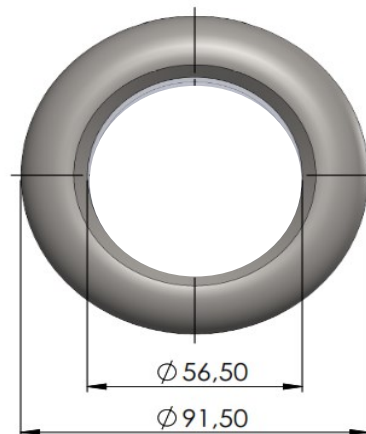
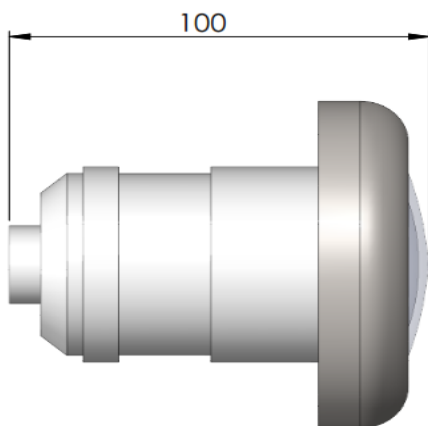
## “Mini 2001 Underwater Lights

### PRODUCT FEATURES

- It can be easily installed in all swimming pools.
- It gives instant beam thanks to the LEDs used in the light.
- Light scattering angle is 120 °.
- The light complies with IP68 protection degree at 2 m nominal depth.
- The light operating voltage is very low (12V AC / DC), making it a Class III electrical device.



VOLTAGE (V)	POWER (W)	CCT (K) Min	CCT (K) Typ	CCT (K) Max	Φ (lm) Min	Useful (lm flux)	CRI (Ra)	Light Intensity (cd)
12V AC/DC	6.6	6000	6500	7350	296.2 lm	298 lm	84,3	165.84 cd



#### Note:

1. 201/2 is the angle from optical centerline where the luminous intensity is 1/2 the optical centerline value.
2. The above luminous flux measurement allowance tolerance is  $\pm 5\%$ .
3. The above Color Rendering Index measurement allowance tolerance is  $-2$
4. The above color coordinates measurement allowance tolerance is  $\pm 0.003$ .