

**GEMAS SLIM LED LIGHTS**  
**INSTRUCTION MANUAL**



*"Pool Technology"*



# ENGLISH

**IMPORTANT:** The instruction manual you are holding includes essential information on the safety measures to be implemented for installation and start-up. Therefore, the installer as well as the user must read the instructions before beginning installation and start-up.

To achieve optimum performance of the Slim LED Light, follow the instructions provided below:

## 1. VERIFY THE CONTENTS OF THE PACKING:

The following accessories are included inside the box:

- Unit Slim LED body
- 2x15 Cable 2.5 m length
- Liner assembly kit (Gemac code: 0521402)
- Installation and maintenance manual
- Epoxy PCB
- Warranty booklet

## MODELS AVAILABLE ACCORDING TO CHARACTERISTICS

Description	LED Quantity	Power (W)	Light Intensity (lm)	Light Angle
Slim Led Light with 81 White Led	81	35	3000	120°
Slim Led Light with 81 Daylight Led	81	35	3000	120°
Slim Led Light with 252 White Led	252	50	4500	120°
Slim Led Light with 252 Daylight Led	252	50	4500	120°
Slim Led Light with 90 RGB-W Led	90	35	900	120°

## 2. GENERAL CHARACTERISTICS:

All led models are in A+ energy class.

The slim led light is made of white ABS plastic. Light screen in transparent polycarbonate. Supplied with below-mentioned LEDs and cable of 2.5 m.

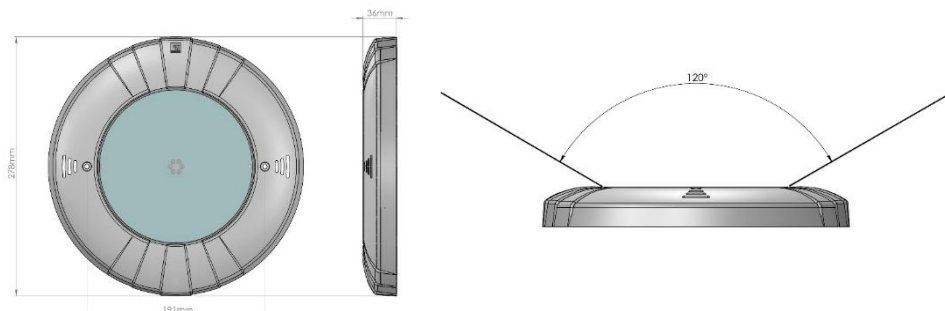
This Slim LED Light has been designed to be used totally submerged in water. It is a Class III electric apparatus with very low safety voltage (**12V with alternating current**).

The manufacturer is not responsible in any circumstances for assembly, installation or start-up of any electric components which have been inserted or handled at locations other than its own premises.

### Advantages:

- Special, elegant flat design. With completely resin isolated led circuits, 5 years unconditional water leakage warranty.
- Ultra slim design which has only 36 mm thickness from the wall
- It is suitable with every PAR 56 bulb light with niche in the market.
- Easy installment in concrete pools only with 2 screws.
- Comes with liner installation kit which let consumers to install easier in liner pools.

### Light Dimensions:



### 3. INSTALLATION:

To correctly light a swimming pool we recommend you:

In order to prevent glare, the LED lights should be installed so that they face away from the residence or usual view of the swimming pool.

In the event that lighting is used in training or competition pools, the LED lights should be installed on the sides to prevent glare on the swimmers.

In installations where you want to replace a conventional spotlight by a LED Light, using the existing wiring, it is strongly recommended to use underwater resin splicing. It is not recommended to use silicone to try to seal the connection point of the wires. The spotlight should not be handled internally under any circumstances as this would lead to losing the guarantee.

The Led Lights should be placed on the wall of the pool at approximately 400-700 mm from the water surface. The method of fastening the crosshead mount to the pool wall varies depending on whether it is a LED light for concrete pools or prefabricated pools.

The LED light should be only operated underwater while secured to the vertical walls of the pool. Never switch on the LED light if it is not under water.

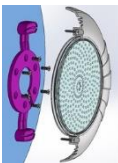


- Specify a proper cable according to distance from water line and wind the cable to marked place on the back of light.

To Direct Pool Wall :



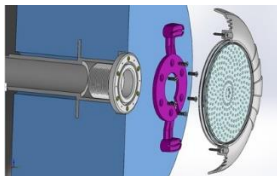
- LED Light can be fixed directly to pool wall with only two pieces screws marked on photo, if cross piece can not be used



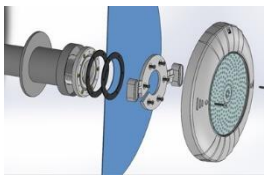
- Cross piece (1) is fixed with six pieces screw to the pool as seen on the photo. Cable output on the wall should be on center of cross piece.
- Fix LED light (2) with two pieces screws

1 2

Installation with wall conduit



Installation to liner pool



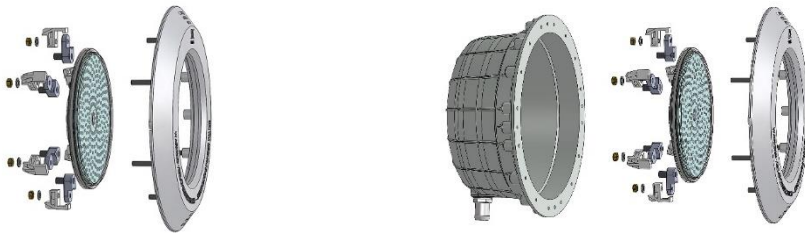
- Around cable should be sealed with nut as shown on photo left.

### Installation To Pool LED Light Niche With Replacement Kit :

The LED light should be only operated underwater while secured to the vertical walls of the pool. Never switch on the LED light if it is not under water.



Existing PAR56 Light



Slim LED Light with Niche

PS: Cable connections should be isolated with Special Tube for Underwater Cable Join



#### **4. MAINTENANCE:**

---

There is no maintenance required for this light. It is designed to be used only once, meaning that replacement is necessary if it becomes defective (repairing is impossible).

Before any handling, ensure that there is NO voltage supplied to the lamp.

To replace, unfasten the lamp from the bracket. Ensure the new lamp is of the same model and characteristics as the one being replaced.

#### **5. WARRANTY:**

---

The manufacturer warrants this resin filled LED underwater lights against defects in materials and workmanship for a period of five years from the date of purchase. This warranty does not cover the fixture becoming damaged due to misuse, accidental damaged, improper handling and/or installation and specifically excludes liability for direct, incidental or consequential damages. Defects in materials and workmanship are exclusive of the following:

- The light with less than 252 normal LED has 3 dead LED or less.
- The light with more than 252 normal LED has 6 dead LED or less.
- The light has small air bulbs inside the resin on the front side with a size of 9 mm<sup>2</sup> or less, and the number of the air bulbs is 3 or less.
- The light has small air bulbs inside the resin on the back side.

#### **6. SAFETY WARNINGS:**

---

People in charge of assembly should be suitably qualified for this type of work.

As safety measure and to avoid possible risks, in case of the external cable of the LED light was damaged, this have to be replaced only by authorized employers by the manufacturer.

Avoid making contact with the electric voltage.

Comply with the current standards regarding accident prevention.

In this regard, the IEC 364-7-702 standards must be observed: WIRING IN BUILDINGS SPECIAL WIRING SWIMMING POOLS.

All maintenance operations should be performed with the LED light disconnected from the Mains.

Do not handle any electrical components with wet hand.

#### **7. ASSEMBLY AND FUNCTIONING WARNINGS:**

---

It is not recommended the use of sealing putty in this product and, anyway, you should use only products specifically conceived to work with ABS, all those products of universal use remain excluded.

The manufacturer is not responsible in any circumstances for assembly, installation or start-up of any electric components which have been inserted or handled at locations other than its own premises.

It is responsibility of the installer to ensure that no water gets inside the projector by means of the cables.

Attention: Please note that the Ph of pool water always must be between 7.2 and 7.6.