

# DECKON

*COMPACT FILTRATION UNIT*



*"Pool Technology"*



# DECKON

## COMPACT FILTRATION UNIT



**Hang-over Unit:** Body made in UV resistant ABS plastic; complete with 100 W/ 12 V underwater light, skimmer, suction inlet, 2 + 1 side and bottom oriented inlets. Separated assembly of hang-over unit and filter room is possible by using two different plastic covers (included). Jet Nozzle, inox Handles, Air Button and Air Regulators are optional.

**Filtration Room:** Base part made in FRP. Upper frame room cover made in UV resistant ABS plastic. Complete with sand or cartridge filter, electrical control board, pneumatic on-off switch and transformer. Extra jet pump (2 HP) is optional.



Jet Nozzle



Skimmer



Pneumatic Button



Led Bulb



Air Button & Regulator



Sand (or Cartridge) Filter

Circular Pump

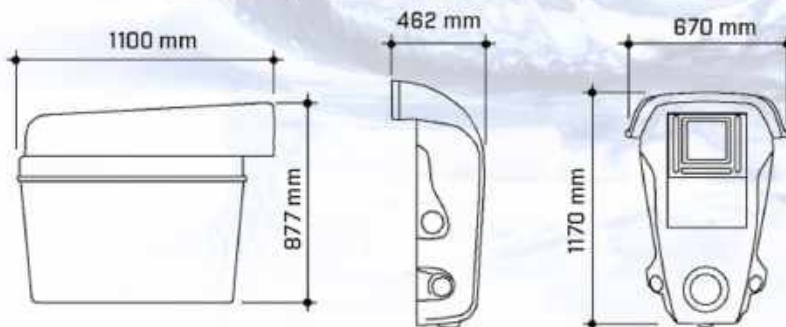
6-Ways Valve

Pneumatic Switch Board

300W/12V Transformer

### Hang-Over Filtration Units

Product No	Filter Type	Capacity (m3/h)	Circulation Pump	Jet Pump	Weight (kg)	Volume (m3)
02512	Sand Filter 400mm	6	1/2 HP	-	65	0,87
02513	Sand Filter 500mm	10	3/4 HP	-	67	0,87
02514	Cartridge P510	6	1/2 HP	-	55	0,87
02515	Cartridge P512	10	3/4 HP	-	56	0,87
02516	Cartridge P513	15	1 HP	-	60	0,87
02512J	Sand Filter 400mm	6	1/2 HP	2 HP	85	0,87
02513J	Sand Filter 500mm	10	3/4 HP	2 HP	89	0,87
02514J	Cartridge P510	6	1/2 HP	2 HP	79	0,87
02515J	Cartridge P512	10	3/4 HP	2 HP	80	0,87
02516J	Cartridge P513	15	1 HP	2 HP	84	0,87



DISTRIBUTOR