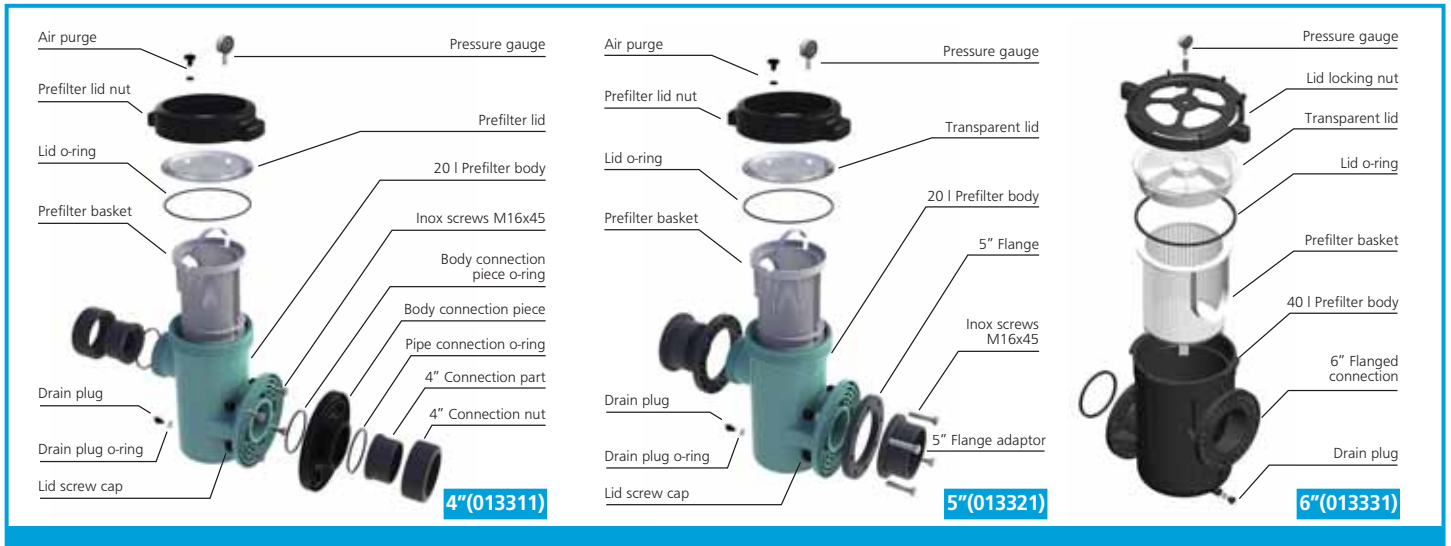


Plastic Prefilters



www.gemas.com.tr

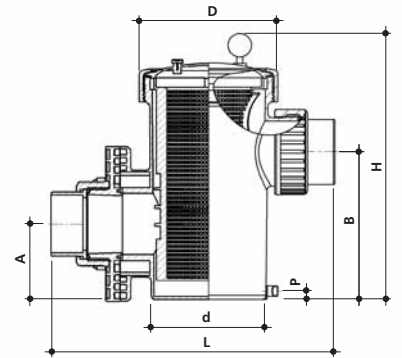
Plastic Prefilters



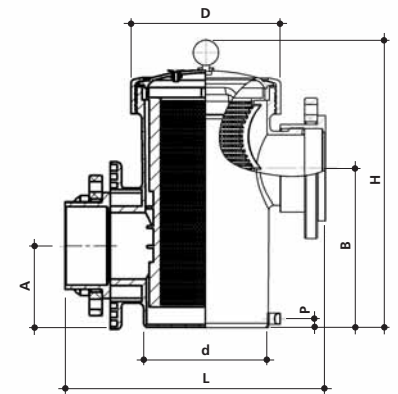
- Plastic prefilters are in fiberglass reinforced PP.
- Transparent acrylic lid provided with easy open & close lid locking nut.
- Filter basket is in optional stainless steel or standard plastic.
- Lid sealing with an EPDM o-ring.
- Test pressure 4 bar, operation pressure 2,5 bar.

TECHNICAL CHARACTERISTICS

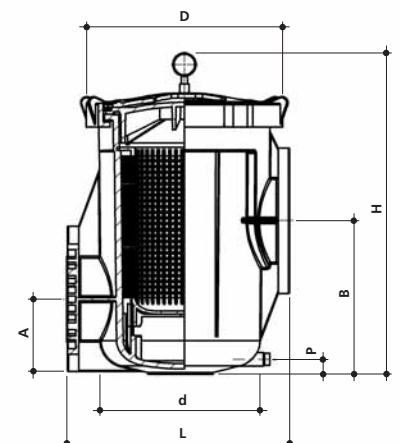
MODEL	4''(013311)	5''(013321)	6''(013331)
D (mm)	265	265	377
d (mm)	220	220	305,5
A (mm)	145	145	140
B (mm)	284	284	296
P (mm)	16	16	30
L (mm)	543	462	428
H (mm)	510	510	610
Connection (mm)	110	125	160
Volume of the prefilter (l)	20	20	40
Free filtering surface (cm ²)	1985	1985	2494



4''(013311)



5''(013321)



6''(013331)

www.gemas.com.tr



Quality Management System

We reserve the right to change all or part of the features of the articles or contents of this document, without prior notice.