



*"Pool Technology"*

## SPOT 01 FOOTED UNDERWATER LIGHTS TECHNICAL DATA SHEET

### Description

Spot 01 model light is the ideal option for fountains. Despite its small dimension offers a considerable light output. PAR 38 bulb provide low energy consumption and high illumination performance. Effective protection against external factors thanks to its closed case.

### Technical Characteristic

- Halogen 150 W or 120 W / 24 V AC or LED 10 W / 12 V AC versions.
- Double cable outlets.
- Body made of fiberglass reinforced PP.
- Optional stainless-steel frame.
- Optional lenses for narrow beam angle.
- Stainless steel cable union.
- 50.000 hours long lifespan.

CODE	DESCRIPTION	POWER (W)	CURRENT (V)	LUMEN	LIGHT ANGLE
05021	Halogen	150	24	1560	30°
0532711	PAR 38 WHITE	10	12	720	120°
0532712	PAR 38 DAYLIGHT	10	12	720	120°
0532713	PAR 38 TURQUOISE	10	12	360	120°
0532714	PAR 38 BLUE	10	12	216	120°
0532715	PAR 38 RED	10	12	288	120°
0532716	PAR 38 GREEN	10	12	504	120°
0532523	PAR 38 RGB BUILT-IN CONTROL	10	12	360	120°
0532524	PAR 38 RGB CENTRAL CONTROL	10	12	360	120°

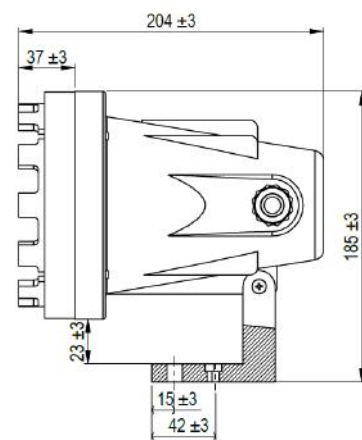
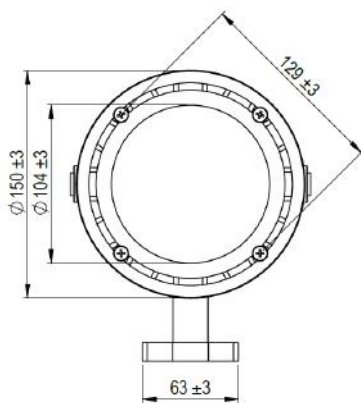
## Dimension



*"Pool Technology"*

All dimensions are in mm.

- Fiberglass reinforcement PP frame



- Stainless steel frame (optional)

