



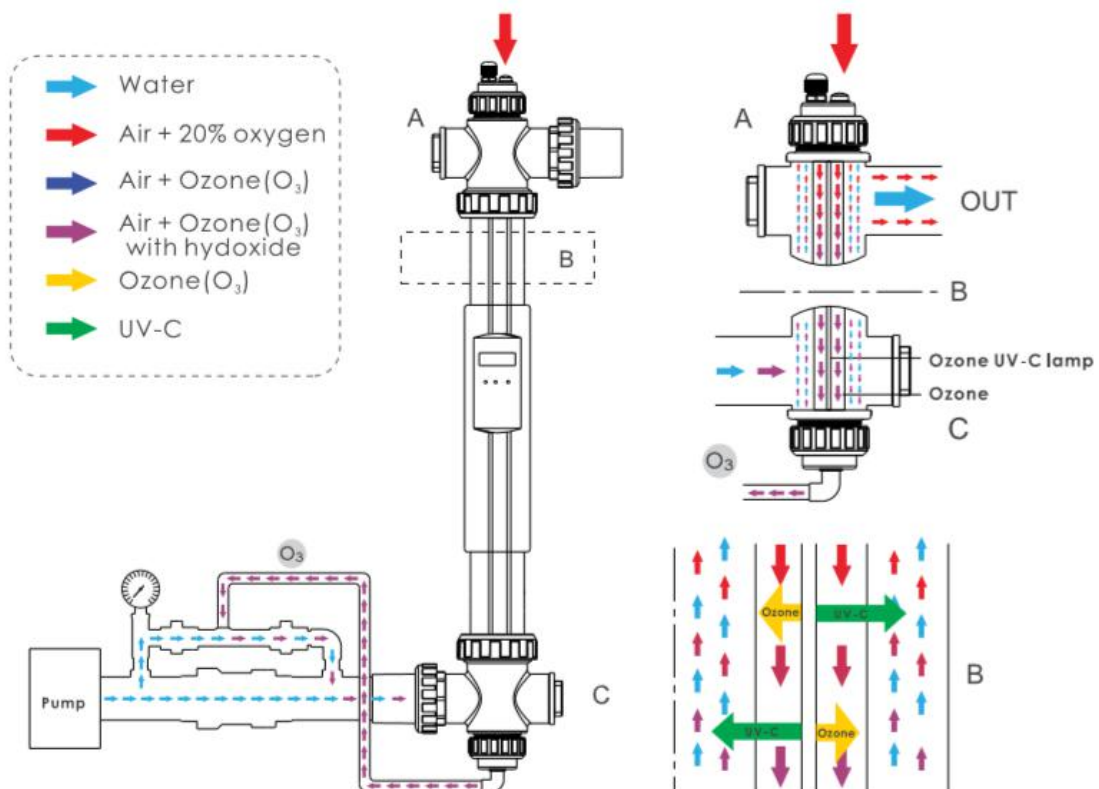
GEMAS POOL UV-C 130 DEVICE



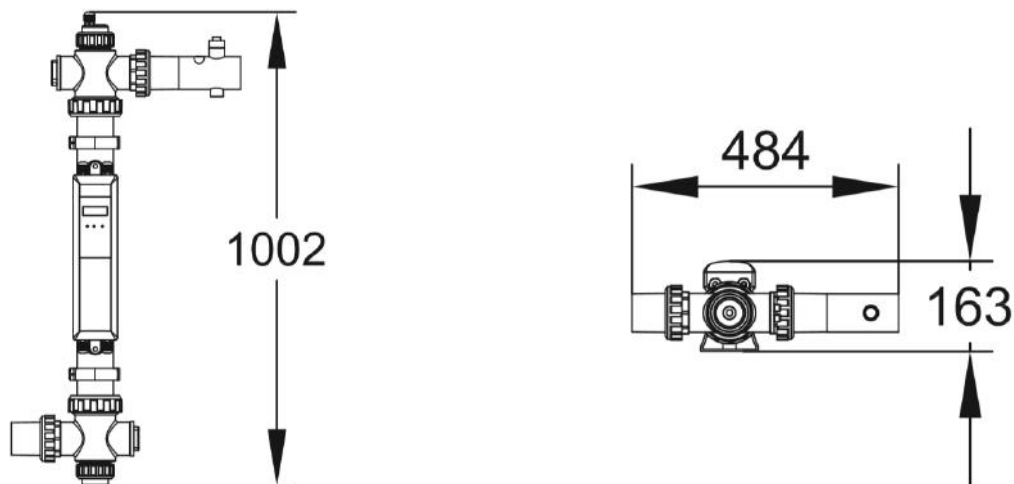
"Pool Technology"

Description

Ultraviolet disinfection systems work with the principle of lethal effects of 220-280 wave length ultraviolet lights on living organisms. This wave-length ultraviolet lights require a specific contact time to kill microorganisms by destroying their cell walls. The UV device is designed to assure this contact time. UV radiation is considered in 4 spectrums: UV-A, UV-B, UV-C and vacuum UV. UV-C spectrum is used for water disinfection with the wave length as specified above.



Dimensions



Technical Characteristic

Pool Volume (m3)	150
Max. Flow Rate (m3/h)	30
Max. Working Pressure(bar)	2
Diameter (mm)	72
Length (cm)	100
Outlet Diameter (mm)	63-50
Stainless Steel	316L
Electronic Ballast	230V AC 50/60Hz
Max. Current (Amp)	1,1
Bulb Power (W)	130
Wave Length (nm)	253,7
Bulb Voltage (V)	70
Bulb Current (Amp)	2.1
UV-C 100 h Outlet (W)	50
μW/cm2 1-meter distance	468
Bulb Type	Philips TUV 130-Watt 4P-SE Amalgam
Setting Time	Exist
Bulb Change Warning	Exist
Flow Switch	Exist
Chemical Usage Decrease	80%
Weight (Kg)	5,5
Package Size (mm)	280*150*1010