

## MINI 2001 MODEL UNDER WATER LIGHTS FOR CONCRETE POOLS

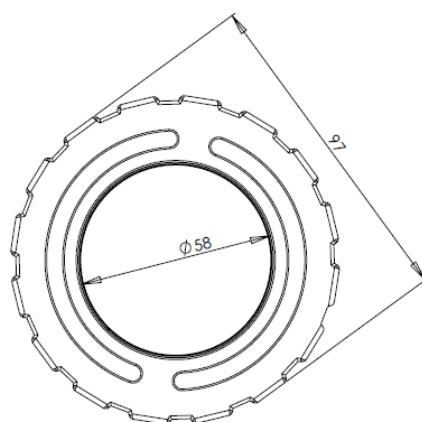
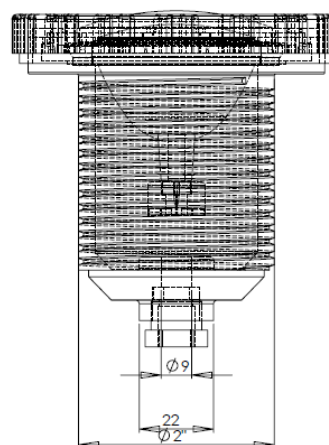
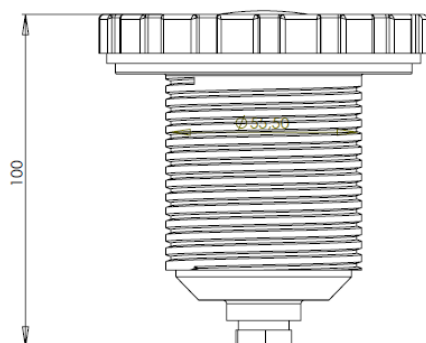


**Product Details:** Frame and niche made of ABS plastic and stainless steel. Complete with SMD led bulb, 2 m cable and special tightening tool. Led bulbs is %100 sealed from water with transparent epoxy.

- Optional AISI 304 and 316 face ring.



### Technical Characteristic



Code	Model	Led Qty	Voltage (V)	Power (W)	Light Intensity (lm/m <sup>2</sup> )	Light Angle
0532822	Mini White	36	12	6	900	120 <sup>0</sup>
0532821	Mini Day Light	36	12	6	900	120 <sup>0</sup>
0532824	Mini Turquoise	36	12	6	144	120 <sup>0</sup>
0532823	Mini Blue	36	12	6	180	120 <sup>0</sup>
0532825	Mini Red	36	12	6	540	120 <sup>0</sup>
0532826	Mini Green	36	12	6	126	120 <sup>0</sup>
0532631	Mini RGB Built in PCB	36	12	6	282	120 <sup>0</sup>
0532632	Mini RGB Central PCB	36	12	6	282	120 <sup>0</sup>



SMD 36 Led Mini Bulbs without Glass

**Part List :**



Code	Description	Quantity
05111610	Cable for underwater light	-
05111609	Nut for cable outlet	1 pcs
05111611	Cylindrical gasket for cable outlet (2x1,5)	1 pcs
05112T01	Mini 2001 body	1 pcs
05111612	Bulb socket	1 pcs
0511207	Bulb	1 pcs
0511206	Silicon gasket for Mini 2001 Glass	1 pcs
0511205	Mini 2001 Face Glass	1 pcs
0511204	Mini 2001 Lens Fixing Frame	1 pcs
0511201	Mini 2001 Face Ring with Lock System - ABS	1 pcs