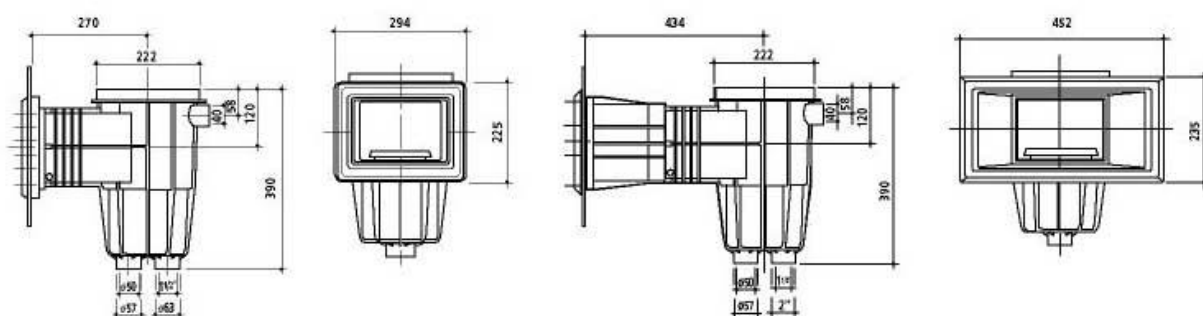


## SKIMMERS FOR LINER POOLS



**Product Details:** All skimmer models are made in ABS plastic and equipped with "suction regulator" and locking mechanism of baskets against back pressure. Skimming by "buoy float" or **floating weir**". Suction port: 1 1/2" female threaded (2" also possible upon request), Ø 63 mm external slip. Second port: Ø 50 mm female slip. Overflow drainage: Ø 40 mm female slip.

## Technical Characteristic



Code	Description
04211	Skimmers for Liner Pools Standard Squared Lid Skimmer
04211B	Skimmers for Liner Pools Standard Squared Lid Skimmer W/Brass Cavities
04211FW	Skimmers for Liner Pools Standard Squared Lid Skimmer W/Floating Weir
04211BFW	Skimmers for Liner Pools Standard Squared Lid Skimmer W/Floating Weir W/Brass Cavities
04211E	Skimmers for Liner Pools Extension Throat (+ 10 cm) Standard Squared Lid Skimmer
04211EB	Skimmers for Liner Pools Extension Throat (+ 10 cm) Standard Squared Lid Skimmer W/Brass Cavities
04211EFW	Skimmers for Liner Pools Extension Throat (+ 10 cm) Standard Squared Lid Skimmer W/Floating Weir
04211EBFW	Skimmers for Liner Pools Extension Throat (+ 10 cm) Standard Squared Lid Skimmer W/Floating Weir W/Brass Cavities