



## GEMAS FLOODERJET PUMP

### TECHNICAL DATA SHEET



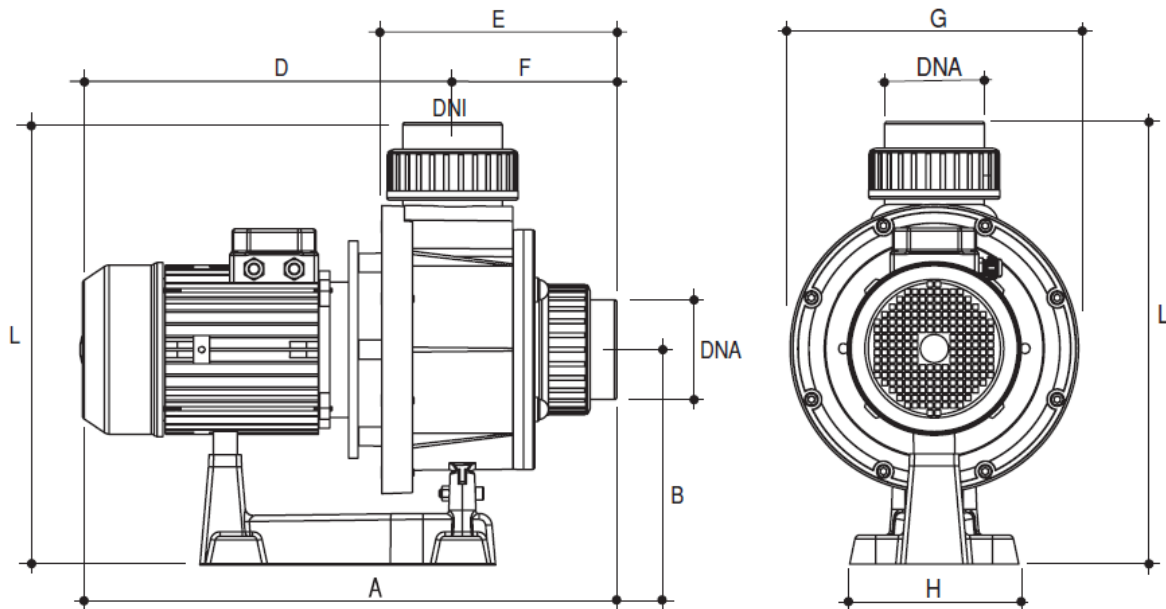
#### Introduction:

Self-priming, thermoplastic body Jet Pump. Suction and Discharge 4" (Ø 110). Connections are with slip union. 2850 rpm - IP 55 Motor.

#### Models:

Hp	Phase	Code	Weight (kg)	Volume (m <sup>3</sup> )
3,0	Monophase	0111FLJ30M		0,150
3,0	Triphase	0111FLJ30		0,150
3,5	Monophase	0111FLJ35M	26,750	0,150
3,5	Triphase	0111FLJ35	25,750	0,150
4,5	Triphase	0111FLJ45	28,650	0,150
5,5	Triphase	0111FLJ55	36,050	0,150
7,5	Triphase	0111FLJ75	44,00	0,150
10	Triphase	0111FLJ100	50,15	0,150

#### DIMENSIONS:



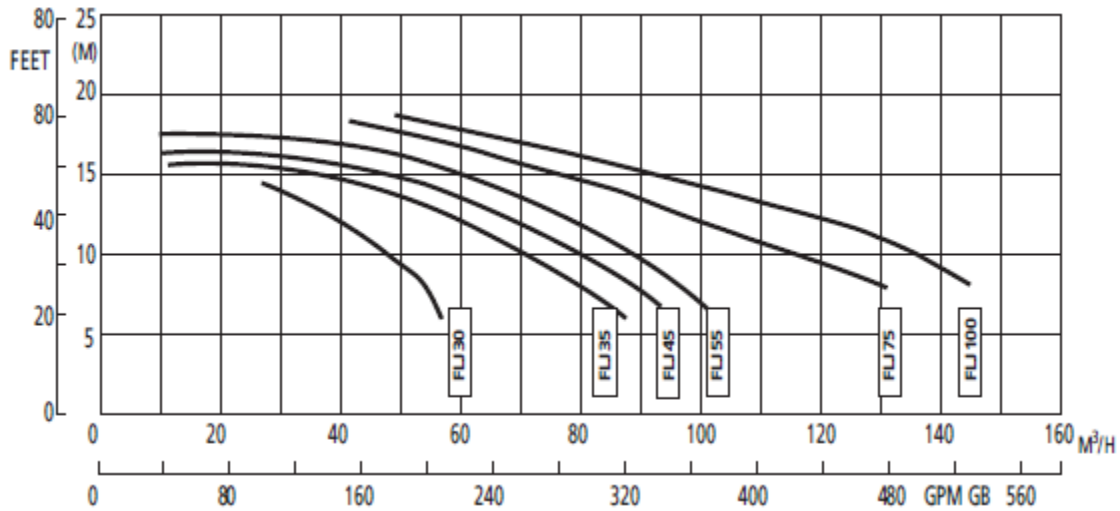
PUMP TYPE	DIMENSIONS									
	DNA	DNI	A	B	D	E	F	G	H	L
0111FLJ35	4"	4"	600	268	395	293	205	358	210	550
0111FLJ45	4"	4"	640	268	435	293	205	358	210	550
0111FLJ55	4"	4"	665	268	460	293	205	358	210	550
0111FLJ75	4"	4"	665	268	460	293	205	358	210	550
0111FLJ100	4"	4"	705	268	500	293	205	358	210	550

**Performance:**

HP	CONDENSER	AMPERES			HEAD mwh							
		II 220 V	230 V	III 380 V	6	8	10	12	14	16	17	
					DISCHARGE m <sup>3</sup> /h							
3,0	-	-	10,40	6,00	57,00	51,00	47,00	38,00	24,00	-	-	
3,5	-	-	10,40	6,00	86,00	78,00	70,00	60,00	45,00	12,00	-	
4,5	-	-	11,70	6,75	94,00	88,00	78,00	68,00	55,00	24,00	-	
5,5	-	-	13,80	8,00	102,00	95,00	88,00	78,00	68,00	50,00	28,00	

HP	CONDENSER	AMPERES			HEAD mwh									
		230 V	400 V	700 V	8	10	11	12	13	14	16	18	21	
					DISCHARGE m <sup>3</sup> /h									
7,5	-	-	12,10	7,00	121,00	112,00	107,00	101,00	96,00	87,00	65,50	42,50	-	
10,0	-	-	15,80	9,20	145,00	136,60	130,00	123,00	113,00	101,50	78,50	49,50	-	

**PERFORMANCE CURVES**



**SUCTION PIPE DIMENSIONS**

PUMP TYPE	0111FLJ35	0111FLJ45	0111FLJ55	0111FLJ75	0111FLJ100
Ø SUCTION PIPE	5" (Ø140 mm)	5" (Ø140 mm)	6" (Ø160 mm)	7" (Ø200 mm)	7" (Ø200 mm)

**PS:** It is recommended to use conical reduction at the suction line of the pump