



GEMAS STAINLESS STEEL PRE-FILTERS

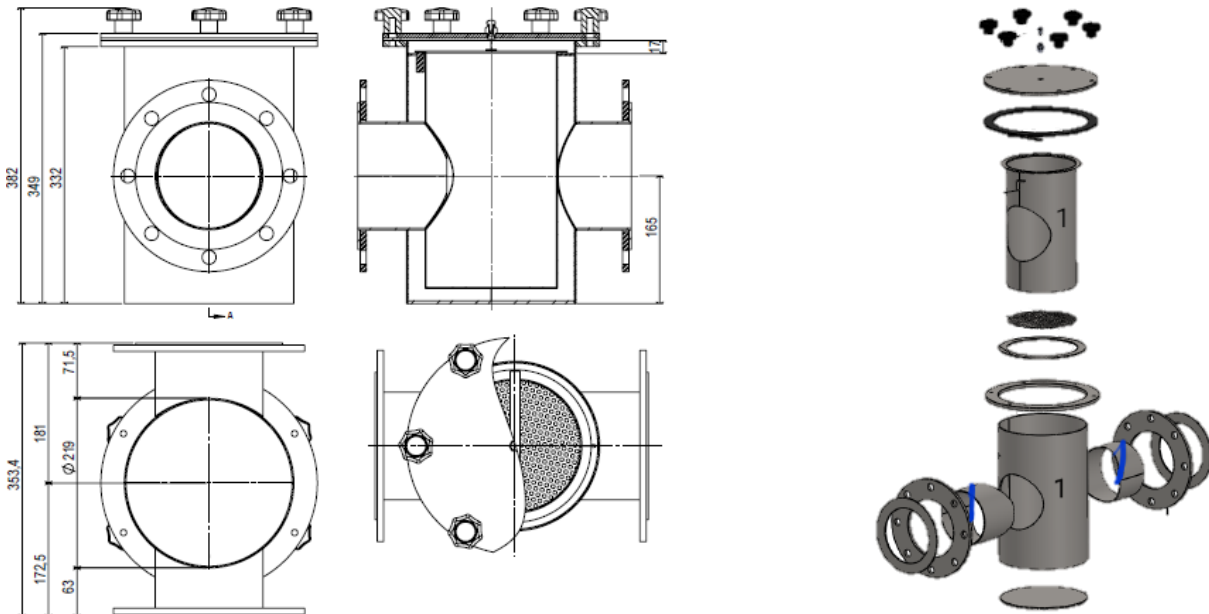


Pool Technology

Removable basket. Both housing and basket are in AISI 316.

Con. Dia.	Code	Connection	Volume	Weight	Basket
5"	01312	Flanged	13 lt	15,00 kg	Stainless steel
6"	01313	Flanged	13 lt	17,35 kg	Stainless steel
8"	01314	Flanged	13 lt	19,45 kg	Stainless steel

DIMENSIONS



BASIC INSTALLATION AND OPERATION MANUAL

- 1- Make sure the connections are evenly tightened with a good form gasket.
- 2- The strainer needs to be supported to a firm base so that there is not overforce on the connection.
- 3- Use air purge to release all air gaps of first operation of the pump.
- 4- Keep the basket clean of all times. Clogged basket (leaves, debris etc...) could cause air gaps and efficiency losses in the system.
- 5- Do not put tablet chlorine or similar disinfectant inside strainer basket. This could cause corrosion on strainer housing and basket.