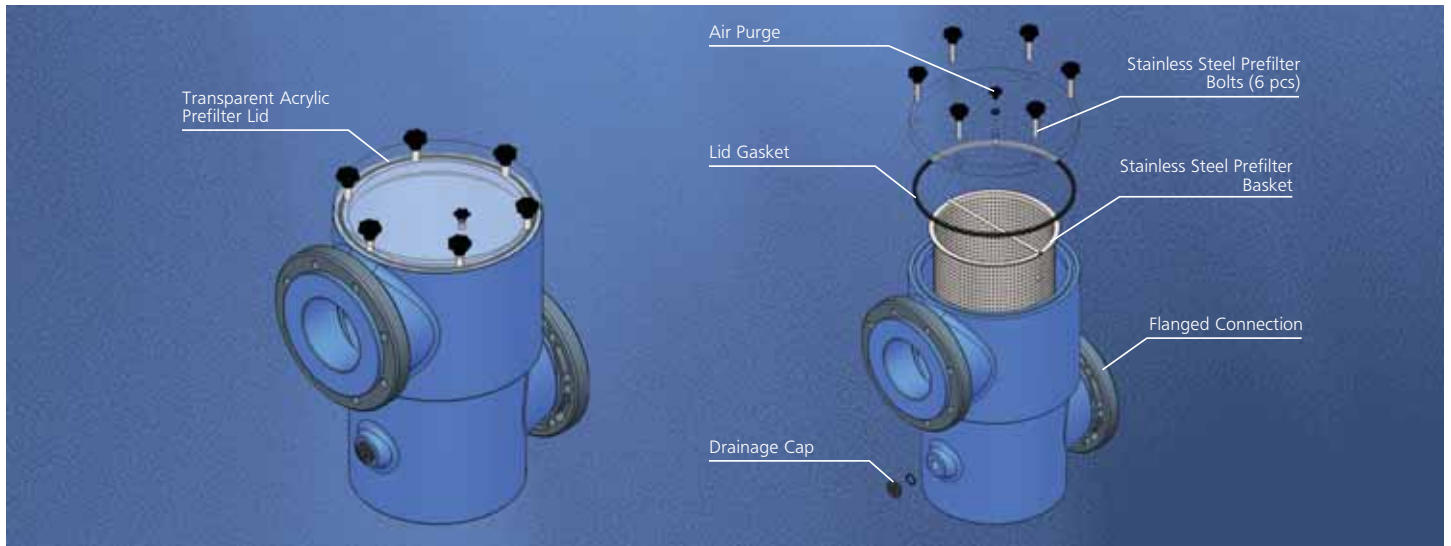


Polyester Prefilters



POOL TECHNOLOGY

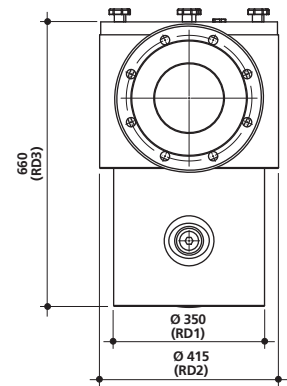
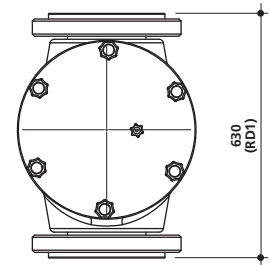
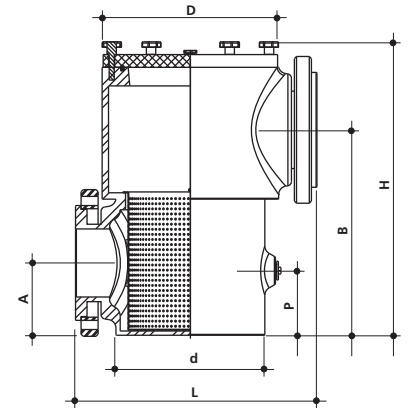
Polyester Prefilters



- Polyester prefilters are in fiberglass reinforced polyester.
- Transparent acrylic lid provided with stainless steel prefilter lid bolts and air purge of $\varnothing 1/4''$.
- Filter basket in stainless steel.
- Lid sealing with an EPDM o-ring.
- Assembly of inlet and outlet units at either 180° or 90° upon your request.
- Different diameters available on the inlet and counter flange.
- Test pressure 4 bar, operation pressure 2,5 bar.

TECHNICAL CHARACTERISTICS

MODEL	4"(013221)	5"(013216)	6"(013223)	8"(013224)
D (mm)	410	410	410	410
d (mm)	350	350	350	350
A (mm)	170	170	170	170
B (mm)	485	485	485	485
P (mm)	150	150	150	150
L (mm)	570	570	570	570
H (mm)	690	690	690	690
Connection (mm)	110	125	160	225
Volume of the prefilter (l)	65	65	65	65
Free filtering surface (cm ²)	1600	1600	1600	1600



DISTRIBUTOR:



Prefilter with 90° angle flanged inlet.



Quality Management System

We reserve the right to change all or part of the features of the articles or contents of this document, without prior notice.