

SPIRON- M Incoloy Electrical Heater

General Features:

- Easy to install with built in contactors
- Safe
- Reliable
- Silent Operation
- Incoloy 825 (titanium alloy) heating element
- Built in flow switch allows safe operation as low as 1,000 liters per hour
- Floor or wall mountable
- Control thermostat and safety thermal cut-out with manual reset
- Extra thermal protection on flow tube.



Gemas Electrical Heaters provides efficiency, safety, and above all reliability to effortlessly heat your pool to the desired temperature.

The heater can be mounted to wall or floor and can easily be controlled.

Heat Requirement Chart:

Pool Dimensions (m)	Open Pools $\Delta t=10\text{ }^{\circ}\text{C}$	Indoor Pools $\Delta t=17\text{ }^{\circ}\text{C}$
	48 Hours	48 Hours
	Required Heating (kW)	Required Heating (kW)
4,00x8,00x1,50	22,39	17,46
5,00x10,00x1,50	30,08	27,29
6,00x12,00x1,50	43,32	39,29
8,00x16,00x1,50	77,01	69,85
12,50x25,00x1,50	188,05	170,61
12,50x25,00x1,80	204,90	199,25
16,00x35,00x1,50	336,91	305,60
20,00x40,00x1,50	481,29	436,57
25,00x50,00x1,50	752,02	682,14
25,00x50,00x2,00	864,02	89,94



SPIRON- M Incoloy Electrical Heater

Technical Features:

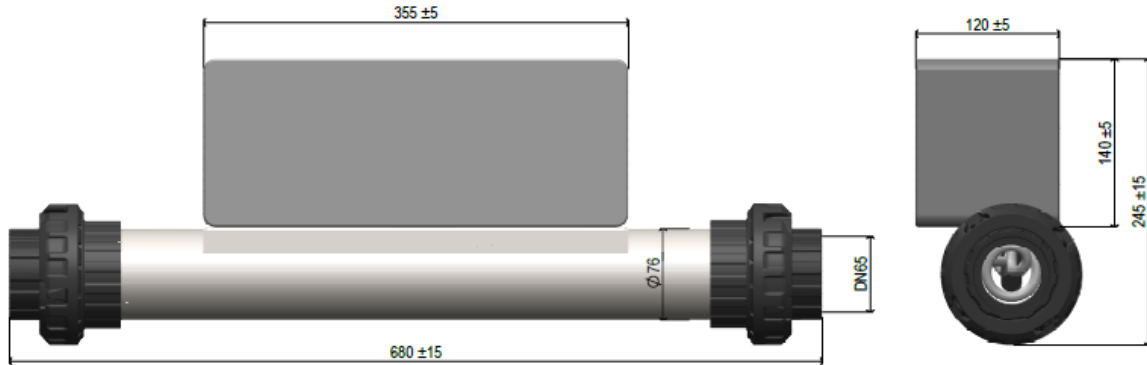
Power Supply	3 phases
Flow Requirement	Minimum Flow: 3-kW to 6-kW = 1m ³ /hour 9-kW to 24-kW = 4m ³ /hour Maximum Flow: 17m ³ /hour
Heating Elements	Incoloy 825 Titanium Alloy
Control Thermostat	0°C ~ 40°C (1.0°C Differential)
Safety Thermal cut-out	55°C (Manual reset)
Flow Switch	Included
Wiring	High temperature, silicone sheathed, multi-strand copper conductors
Contactors	<i>Schneider Electric</i>
Seals	Special formula high temperature polymer
Water Connections	2½" / 75mm PVC unions for rigid pipe
Working Pressure	4 bar maximum
Mounting	Floor or Wall mounting
Standards compliance	European Electromagnetic Compatibility directive
Harmonized standards	The European Low Voltage Directive and The Harmonized Standard

Models:

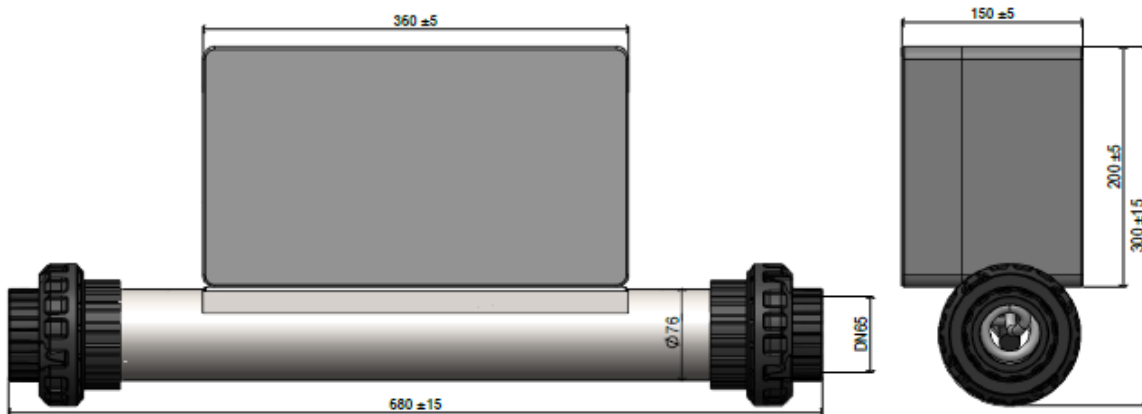
Code	3 Phase Output	400 V Star / 230 V Delta	Amp
10113MI	9 kW	400/230	13/23
10114MI	12 kW	400/230	18/31
10115MI	15 kW	400/230	22/38
10116MI	18 kW	400/230	26/46
10117MI	21 kW	400/230	30/53
10118MI	24 kW	400/230	34/61

SPIRON- M Incoloy Electrical Heater

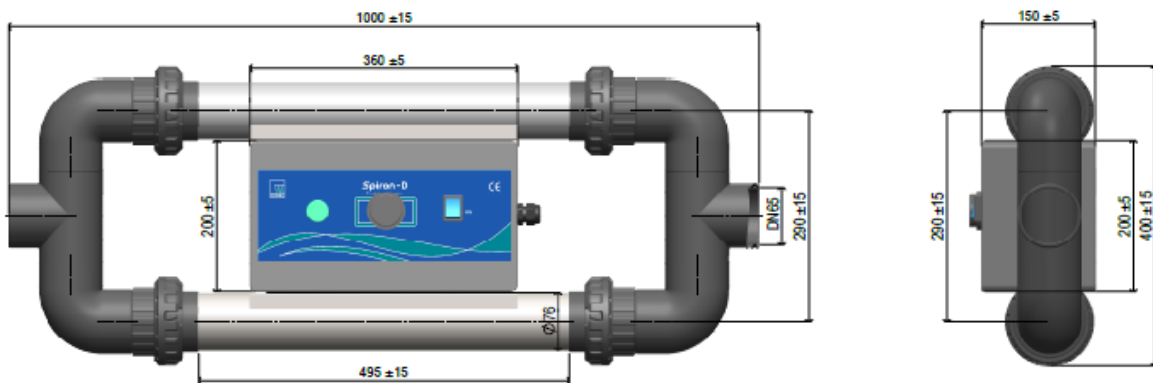
Dimensions for 9 kW,12 kW, 15kW,18 kW Models:



Dimensions for 21 kW, 24 kW Models:



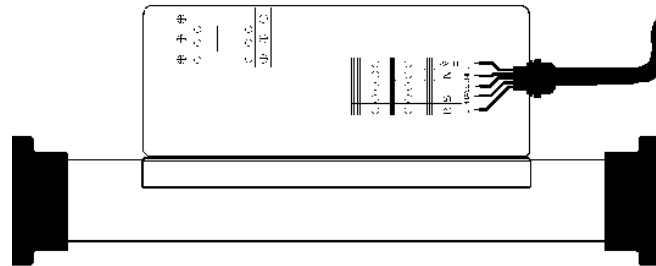
Dimensions for 36kW, 48 kW Models:





SPIRON- M Incoloy Electrical Heater

Electricity Connection Diagram:



Piping Installation Diagram:

