



SPIRON-D Incoloy Electrical Heater

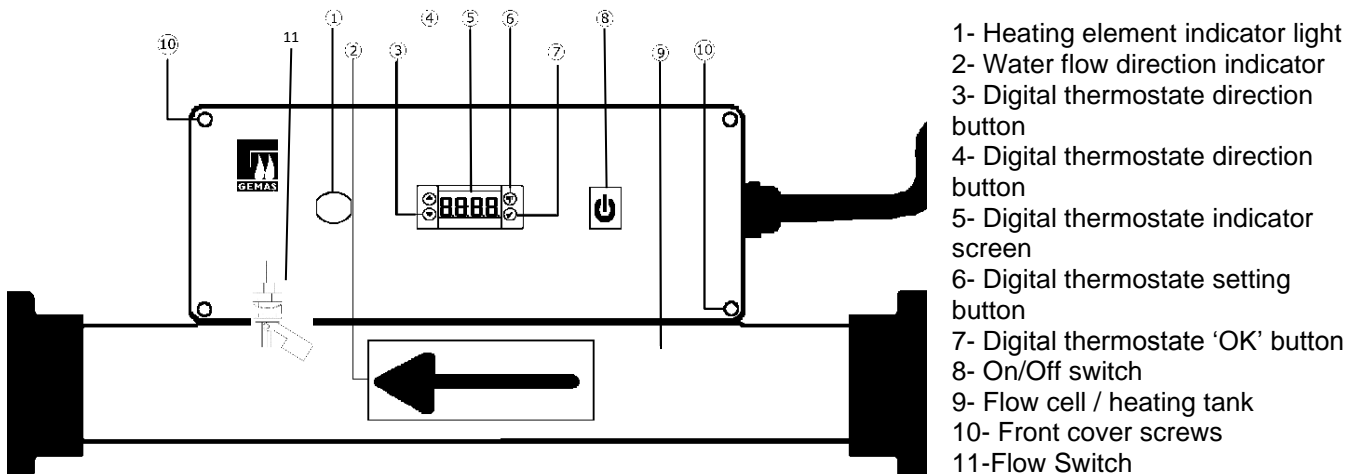
General Features:

- Easy to install with built in contactors
- Safe
- Reliable
- Silent Operation
- Incoloy 825 heating element
- AISI 316L Stainless steel flow tube
- Ultra-reliable flow switch allows safe operation as low as 1,000 litres per hour
- Floor or wall mountable
- Control thermostat and safety thermal cut-out with manual reset
- 2-year warranty
- Extra thermal protection on flow tube.
- Easy to read / control digital controller



Gemas Electrical Heaters provides efficiency, safety, and above all reliability to effortlessly heat your pool to the desired temperature.

The heater can be mounted to wall or floor and can easily be controlled by the user friendly digital control unit.





SPIRON-D Incoloy Electrical Heater

Heat Requirement Chart:

Pool Dimensions (m)	Open Pools $\Delta t=10\text{ }^{\circ}\text{C}$	Indoor Pools $\Delta t=17\text{ }^{\circ}\text{C}$
	48 Hours	48 Hours
	Required Heating (kW)	Required Heating (kW)
4,00x8,00x1,50	22,39	17,46
5,00x10,00x1,50	30,08	27,29
6,00x12,00x1,50	43,32	39,29
8,00x16,00x1,50	77,01	69,85
12,50x25,00x1,50	188,05	170,61
12,50x25,00x1,80	204,90	199,25
16,00x35,00x1,50	336,91	305,60
20,00x40,00x1,50	481,29	436,57
25,00x50,00x1,50	752,02	682,14
25,00x50,00x2,00	864,02	89,94

Technical Features:

Power Supply	3 phase
Flow Requirement	Minimum Flow: 3-kW to 6-kW = 1m ³ /hour 9-kW to 24-kW = 4m ³ /hour Maximum Flow : 17m ³ /hour
Heating Elements	Incoloy 825
Flow Tubes	AISI 316L Stainless Steel
Control Thermostat	0°C ~ 40°C (1.0°C Differential)
Safety Thermal cut-out	55°C (Manual reset)
Flow Switch	Included
Wiring	High temperature, silicone sheathed, multi-strand copper conductors
Contactors	<i>Schneider Electric</i>
Seals	Special formula high temperature polymer
Water Connections	2½" / 75mm PVC unions for rigid pipe
Working Pressure	4 bar maximum
Mounting	Floor or Wall mounting
Standards compliance	European Electromagnetic Compatibility directive
Harmonised standards	The European Low Voltage Directive and The Harmonised Standard

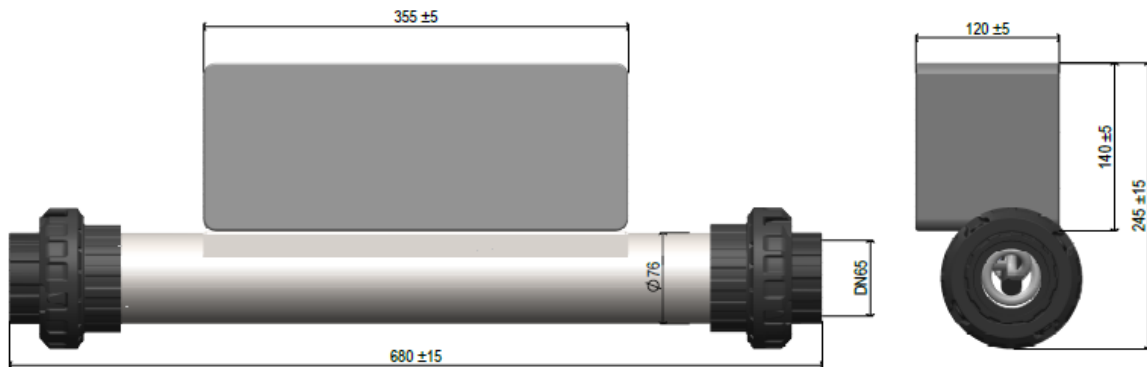


SPIRON-D Incoloy Electrical Heater

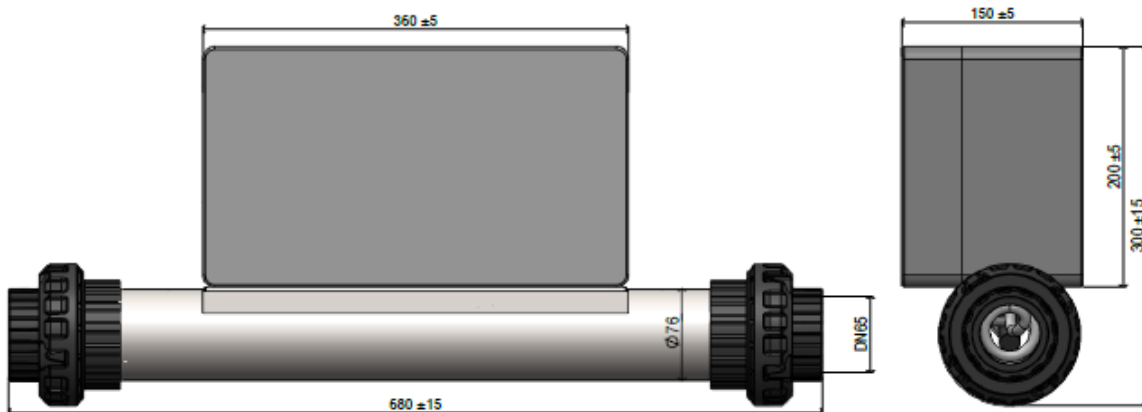
Models:

Code	3 Phase Output	400 V Star / 230 V Delta	Amp
10113DI	9 kW	400/230	13/23
10114DI	12 kW	400/230	18/31
10115DI	15 kW	400/230	22/38
10116DI	18 kW	400/230	26/46
10117DI	21 kW	400/230	30/53
10118DI	24 kW	400/230	34/61

Dimensions for 9 kW,12 kW, 15kW,18 kW Models:



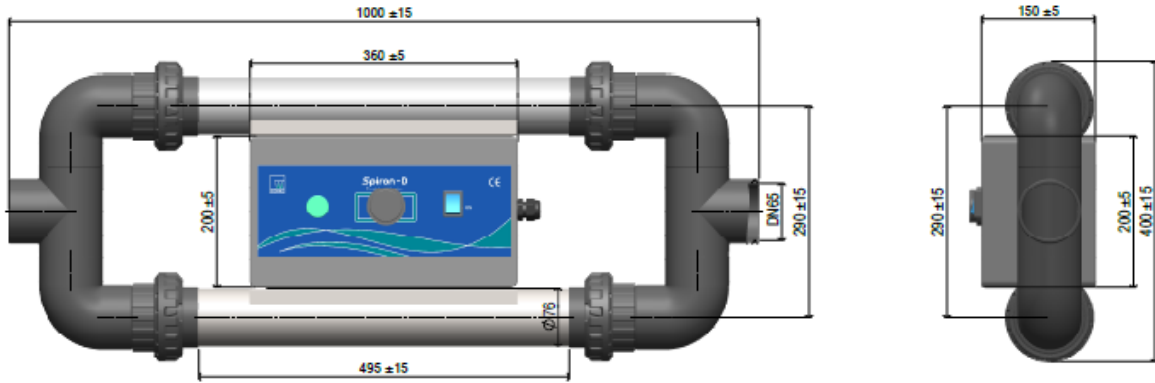
Dimensions for 21 kW, 24 kW Models:



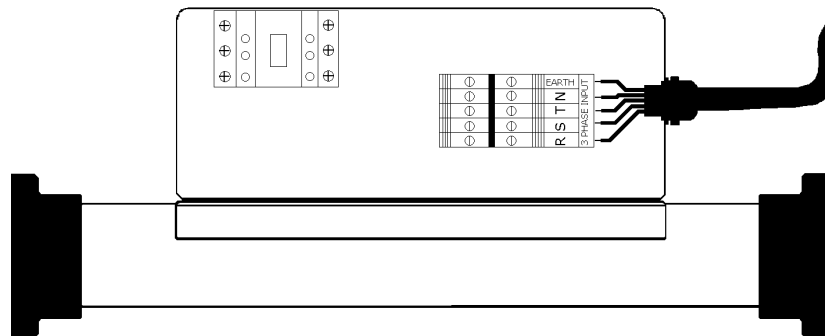


SPIRON-D Incoloy Electrical Heater

Dimensions for 36kW, 48 kW Models:



Electricity Connection Diagram:



Piping Installation Diagram:

