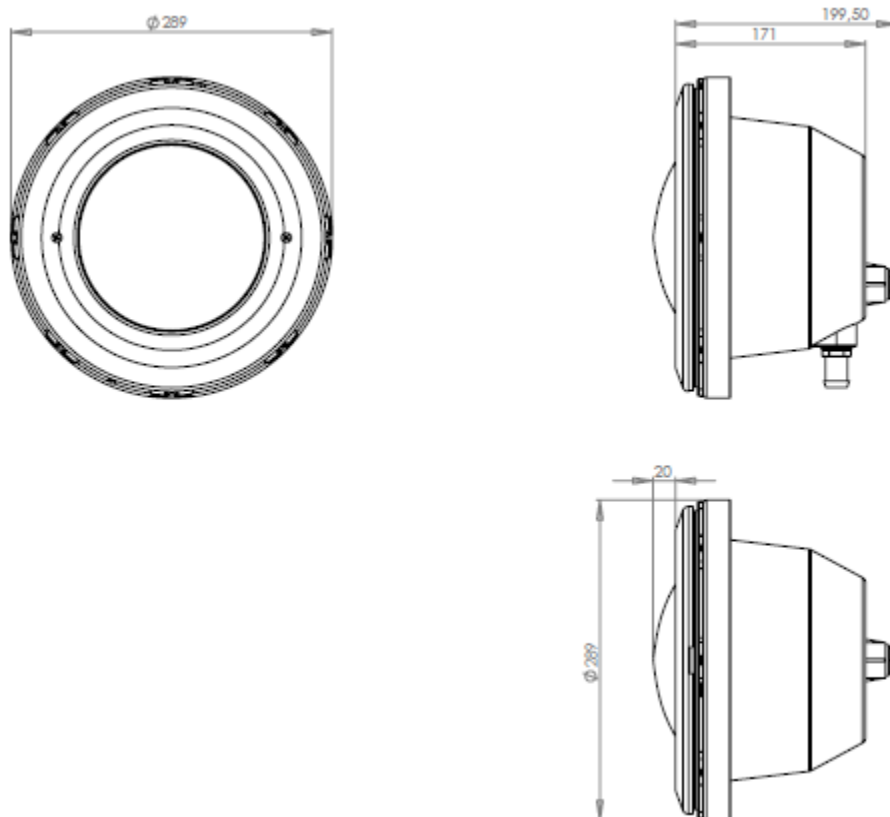


STANDARD 2006 MODEL LIGHTS TECHNICAL DATA SHEET



Code Number	Model	Led Quantity	Voltage (V)	Power Consumption (W)	Light Intensity (lm)	Light Angle
051112LS	W/ SMD 63 White	63	12	20	2490	140 ⁰
051112LSB	W/ SMD 63 Blue	63	12	15	630	140 ⁰