



**STANDARD 2006 MODEL
UNDER WATER LIGHTS
FOR LINER POOLS
TECHNICAL DATA SHEET**

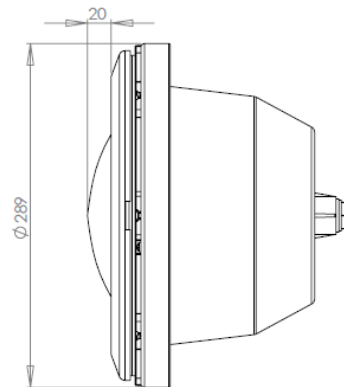
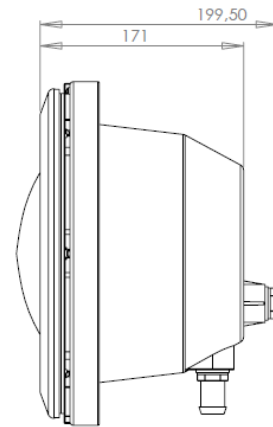
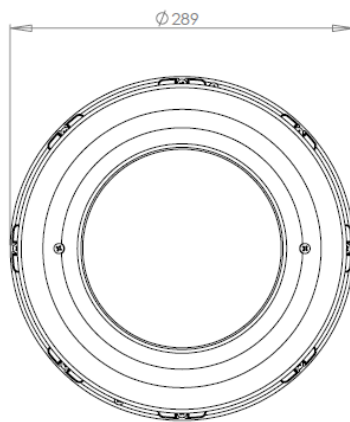


"Pool Technology"

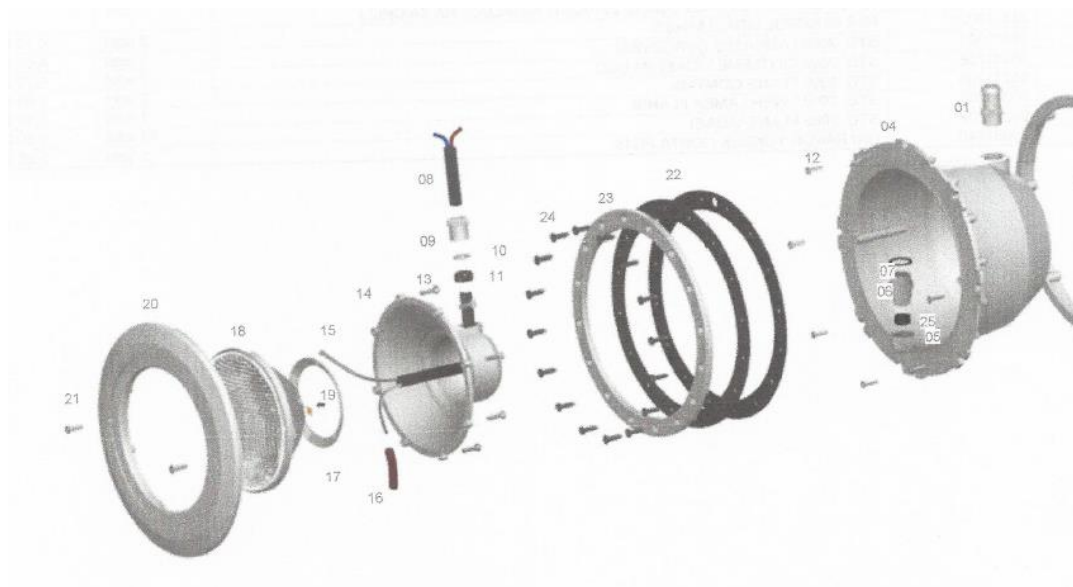
Introduction:

Frame and niche made of ABS plastic. Complete with 300 W/12 V PAR 56 bulb and special rubber 2x6 cable of 2,5 m length. Alternative "SIDE" or "BOTTOM" cable outlet on the niche. Frame is fixed in the niche by means of two front screws. Designed specifically for panel type liner pools. Includes flange, screws and gaskets.

Dimensions:



Part List:



No	Description	Qty
1	Standart 2006 Hose Connection	1
2	Wheel Flange For Fixation	1
3	Blind Nut For Alternative Cable Outlet	1
4	Standart 2006 Niche For Liner Pools	1
5	Grey Plastic Union Screw, PG16	1
6	Grey Plastic Union Body, PG16	1
7	Standart 95 Underwater Light Hose Connection Gasket	1
8	Cable	1
9	Standart 2006 Nut For Cable Outlet	1
10	Plastic Washer For 2x4 Cable	1
11	Gland Seal Joint	1
12	Screw For Niche Wheel Flange, Ø4,2x25 DIN 7982	8
13	Ø4,8x22 Cross Recessed Pan Head Screw DIN 7981	8
14	Standart 95 Bulb Cover	1
15	Connection Terminal	2
16	Wire Protector Ø6 mm	2
17	Standart 2006 Silicon Gasket For Bulb Cover	1
18	Par 56 Bulb	1
19	Par 56 Bulb Screw M4x8,5	2
20	Standart 2006 Light Face Ring	1
21	Face Ring Fixing Screw Ø4,8x22	2
22	Standart 2006 Gasket For Flange	2
23	Flange For Liner Type Standart 2006	1
24	Standart 2006 Flange Connection Screw 5x25	16
25	Grey Union Joint, PG16	1

