



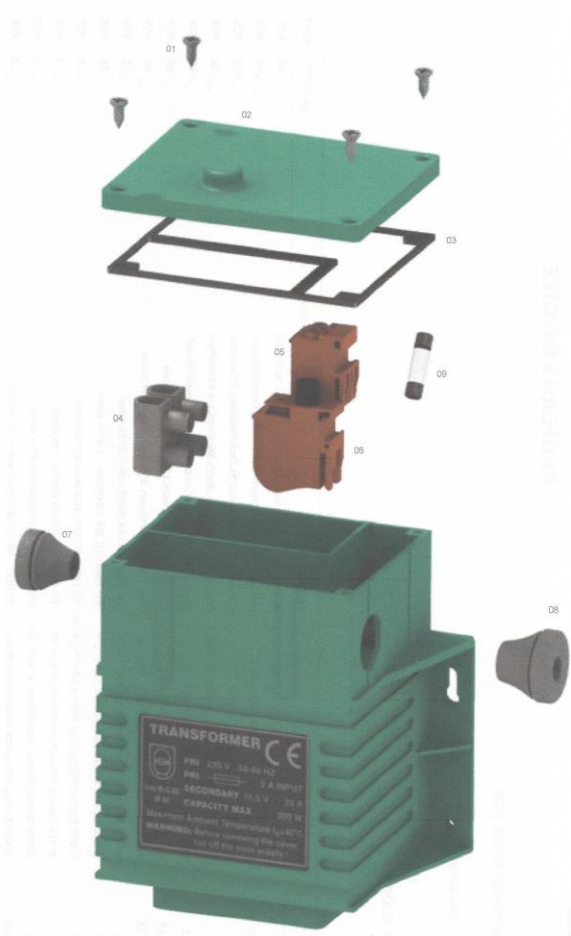
GEMAS 100 W / 230-12 V TRANSFORMERS TECHNICAL DATA SHEET



"Pool Technology"

Housing made of heat resistant plastic. Gasket sealed lid. Input with glass fuse, outlet with special connection terminal. Complete with hardware necessary for fixing on the wall. Winding is completely sealed in polyurethane for humid rooms.

Code	Isolation Class	Weight (kg)	Volume (m ³)
05067	IP65	4,60	0,009



No	Code	Description	Qty
1	050610201	Screw for top lid 300 W transformer 4x12	4
2	0507303	300 W transformer top lid (05073)	1
3	0507304	300 W transformer top lid (05073) gasket	1
4	0506307	Cable connection (2-Way)	1
5	0507308	Cable connector without fuse	1
6	0507309	Cable connector with fuse	1
7	0507305	Rubber transformer union, PG-11	1
8	0507306	Rubber transformer union, PG-16	1
9	0506105E	Glass fuse – 2A	1

VOLTAGE DROP CHART IN VOLTS FOR 300W/12V TRANSFORMERS

		CABLE DISTANCE FROM TRANSFORMER TO UW LIGHT									
		9	12	15	18	21	24	27	30	51	
CABLE TYPE	2x4	-1,5V	-2V	-3V	-	-	-	-	-	-	
	2x6	-	-1,5V	-1,7V	-2V	-2,5V	-2,7V	-3,1V	-3,5V	-5,2V	