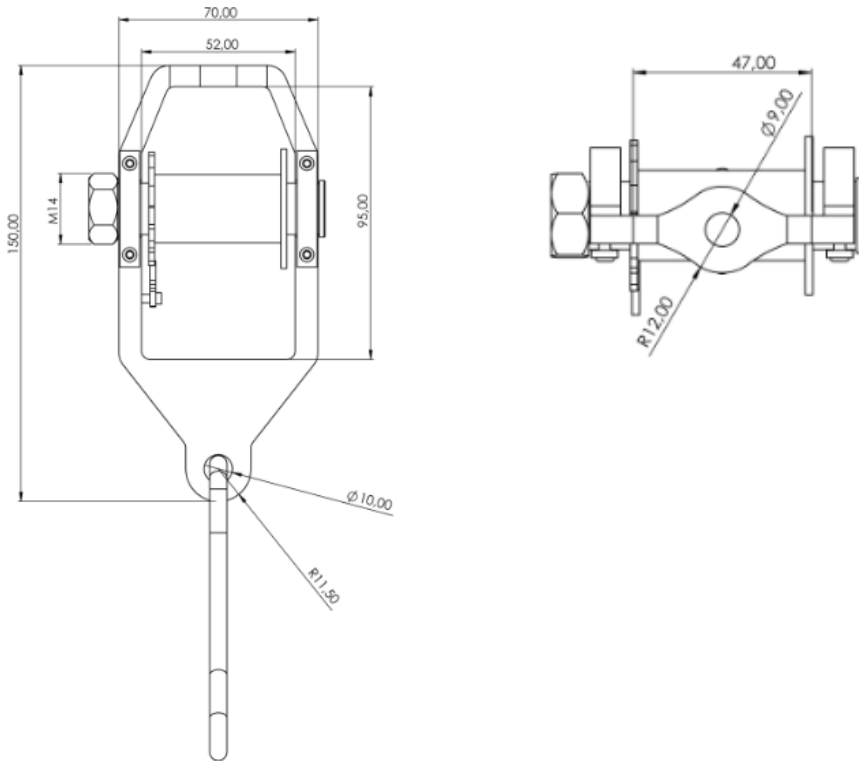


# FLOATING LINE TENSOR WITH SPRING

In chrome plated bronze.



| Code  | Pieces/Box | Weight (kg) | Volume (m <sup>3</sup> ) |
|-------|------------|-------------|--------------------------|
| 14641 | 1          | 0.686       | 0.001                    |