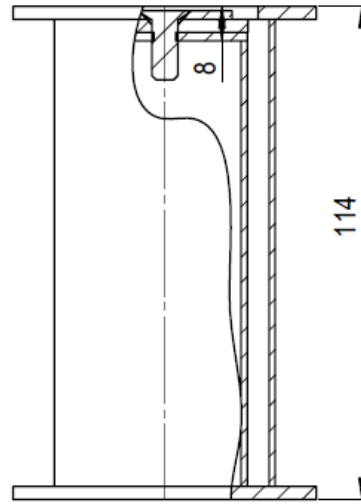
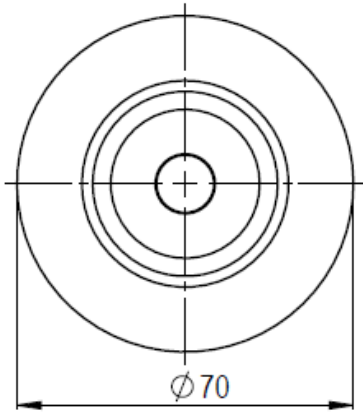


# GEMAS LEVEL ANCHOR

FOR ZURICH & WIESBADEN TYPE SWIMMING POOLS

Made of AISI 304 quality stainless steel, with  $\varnothing$  42 mm pipe.



Code	Pieces/Box	Weight (kg)	Volume (m <sup>3</sup> )
14410	2	1.672	-