

051180

“Mini Clicker Underwater Lights

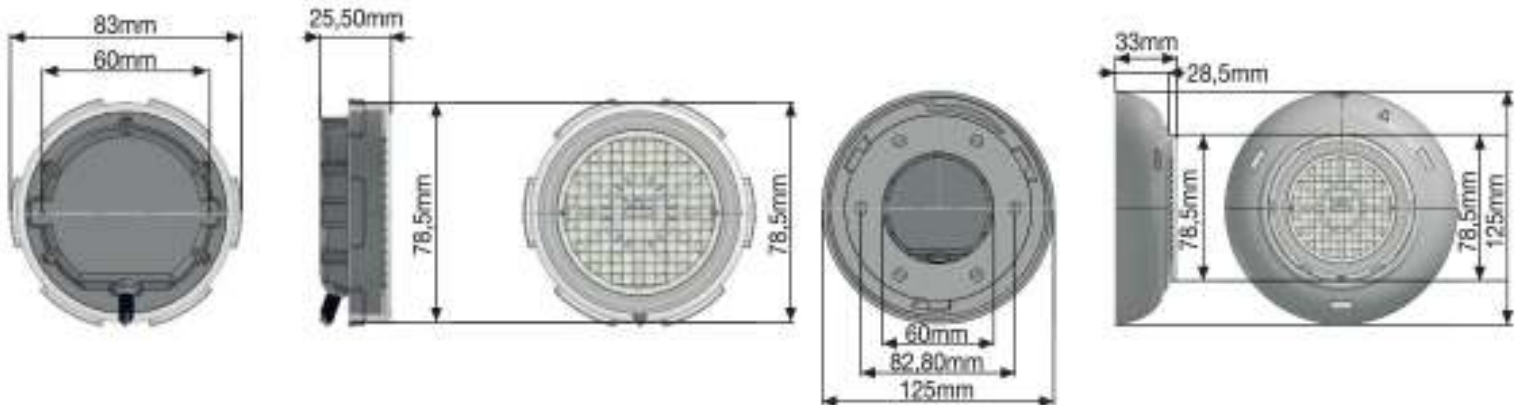


PRODUCT FEATURES

- It has a special, elegant, stylish and patented design.
- It can be easily installed in all swimming pools.
- It gives instant beam thanks to the LEDs used in the light.
- Light scattering angle is 120 °.
- The light complies with IP68 protection degree at 2 m nominal depth.
- Diffuser glass is made of polycarbonate.
- Body part consists of gray PA6.
- The light operating voltage is very low (12V AC / DC), making it a Class III electrical device.
- Energy input cable length is 1 meter.



VOLTAGE (V)	POWER (W)	CCT (K) Min	CCT (K) Typ	CCT (K) Max	Φ (lm) Min	Useful (lm flux)	CRI (Ra)	Light Intensity (cd)
12V AC/DC	6.81	6000	6500	7150	468.7 lm	508 lm	83,3	192.04 cd



Note:

1. 2θ1/2 is the angle from optical centerline where the luminous intensity is 1/2 the optical centerline value.
2. The above luminous flux measurement allowance tolerance is ±5%.
3. The above Color Rendering Index measurement allowance tolerance is -2
4. The above color coordinates measurement allowance tolerance is ±0.003.